

THIS DRAWING IS UNPUBLISHED.

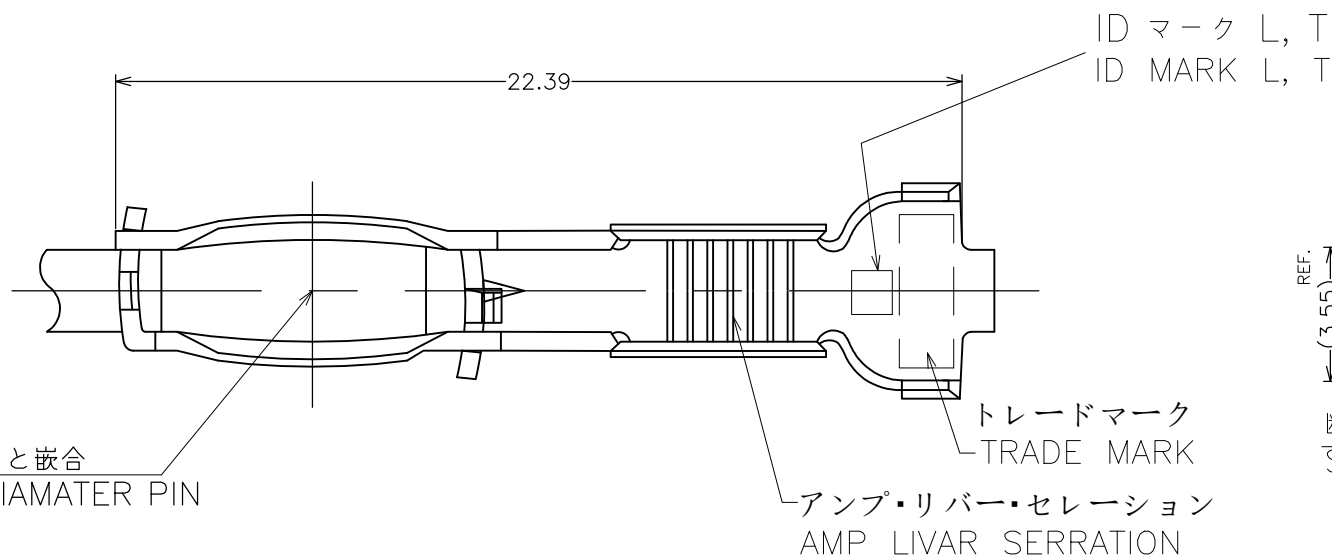
RELEASED FOR PUBLICATION , NOV 07

© COPYRIGHT 2011 Tyco Electronics Japan G.K.

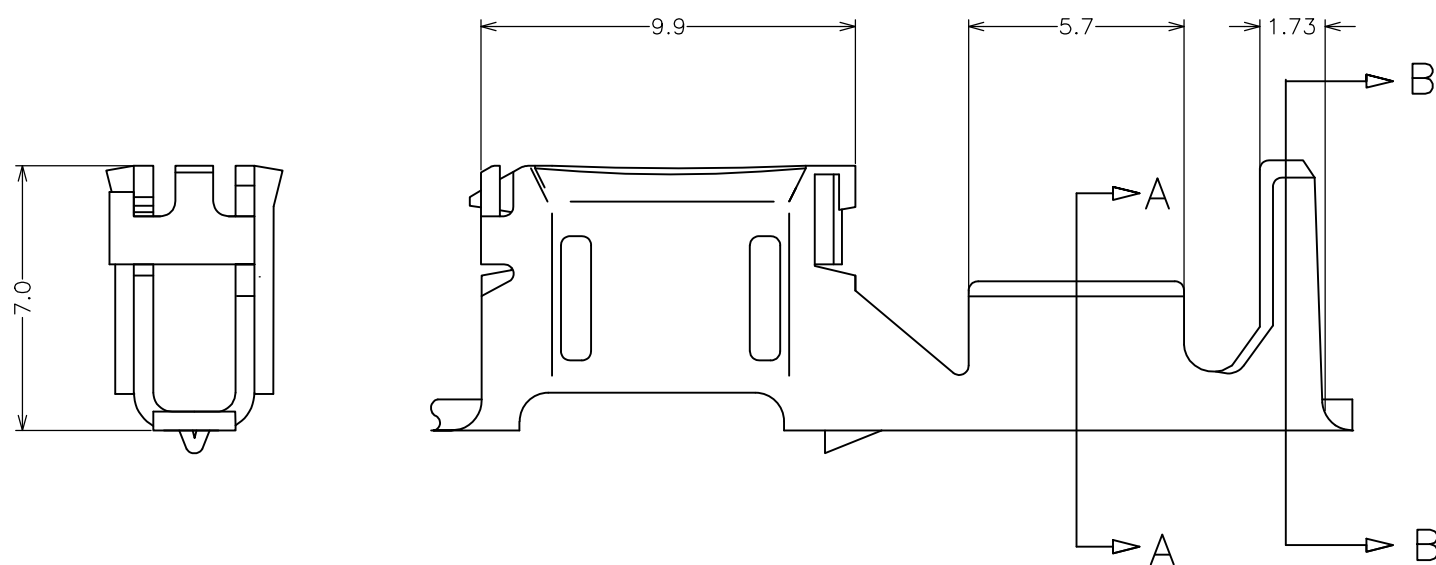
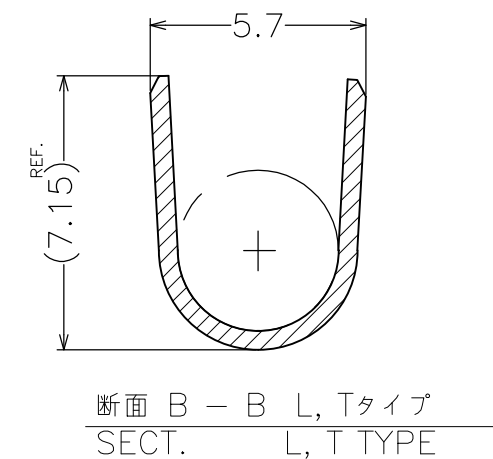
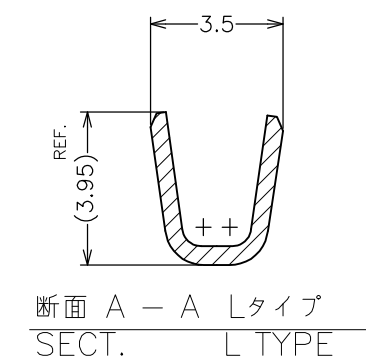
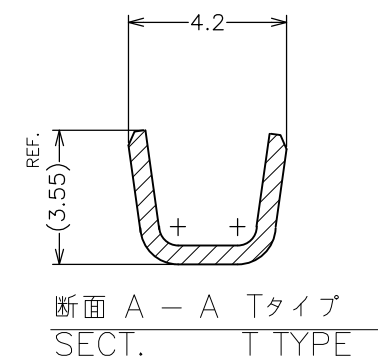
ALL RIGHTS RESERVED.

REVISIONS

P	LTR	DESCRIPTION	ECN	DATE	DWN	APVD
	C1	ECR-19-015554		07OCT2019	SE	PKS



3.2φカラスピンと嵌合  
MATING WITH 3.2φ DIAMETER PIN



注記;

- 1.適用ハウジング : X-316293-X
- 2.一般公差 ; 10 ≧ : ±0.2  
> 10 : ±0.25

NOTES;

- 1.APPLICABLE HSG : X-316293-X
- 2.TOLERANCES ; 10 ≧ : ±0.2  
> 10 : ±0.25

△3 THIS PRODUCT IS SPLICE FREE VERSION

T	0.76~2.86 mm <sup>2</sup> (AWG#18~#13)	316292-5
L	0.76~2.6 mm <sup>2</sup> (AWG#18~#13)	316292-2
L	0.76~2.6 mm <sup>2</sup> (AWG#18~#13)	316292-1
ID マーク ID MARK	抱合電線断面積 WIRE RANGE	型番 P/N

表参照 SEE TABLE  
INSULATION DIA 被覆外径 1.6~4.0

THIS DRAWING IS A CONTROLLED DOCUMENT.		DWN K.SAKAI 07NOV2011												
DIMENSIONS: 単位: 耗 mm		CHK M.HARASAWA 07NOV2011												
TOLERANCES UNLESS OTHERWISE SPECIFIED: 一般公差		APVD N.YAMASAKI 07NOV2011												
<table border="1"> <tr><td>0 PLC</td><td>±</td></tr> <tr><td>1 PLC</td><td>±</td></tr> <tr><td>2 PLC</td><td>±</td></tr> <tr><td>3 PLC</td><td>±</td></tr> <tr><td>4 PLC</td><td>±</td></tr> <tr><td>ANGLES</td><td>±3</td></tr> </table>		0 PLC	±	1 PLC	±	2 PLC	±	3 PLC	±	4 PLC	±	ANGLES	±3	NAME 名称 -
0 PLC	±													
1 PLC	±													
2 PLC	±													
3 PLC	±													
4 PLC	±													
ANGLES	±3													
MATERIAL 磷青銅 材料 PHOS BRO		PRODUCT SPEC 製品規格 108-5494												
FINISH 錫めっき 仕上 TIN PLATED		APPLICATION SPEC 取付適用規格 114-5215												
WEIGHT 0		SIZE A3												
CUSTOMER DRAWING		CAGE CODE 00779												
		DRAWING NO 番号 G-316292												
		RESTRICTED TO -												
		SCALE 尺度 5:1												
		SHEET 1 OF 1												
		REV C1												



3.2 CLUSTER REC. L, T TYPE

单击下面可查看定价，库存，交付和生命周期等信息

[>>TE Connectivity\(泰科\)](#)