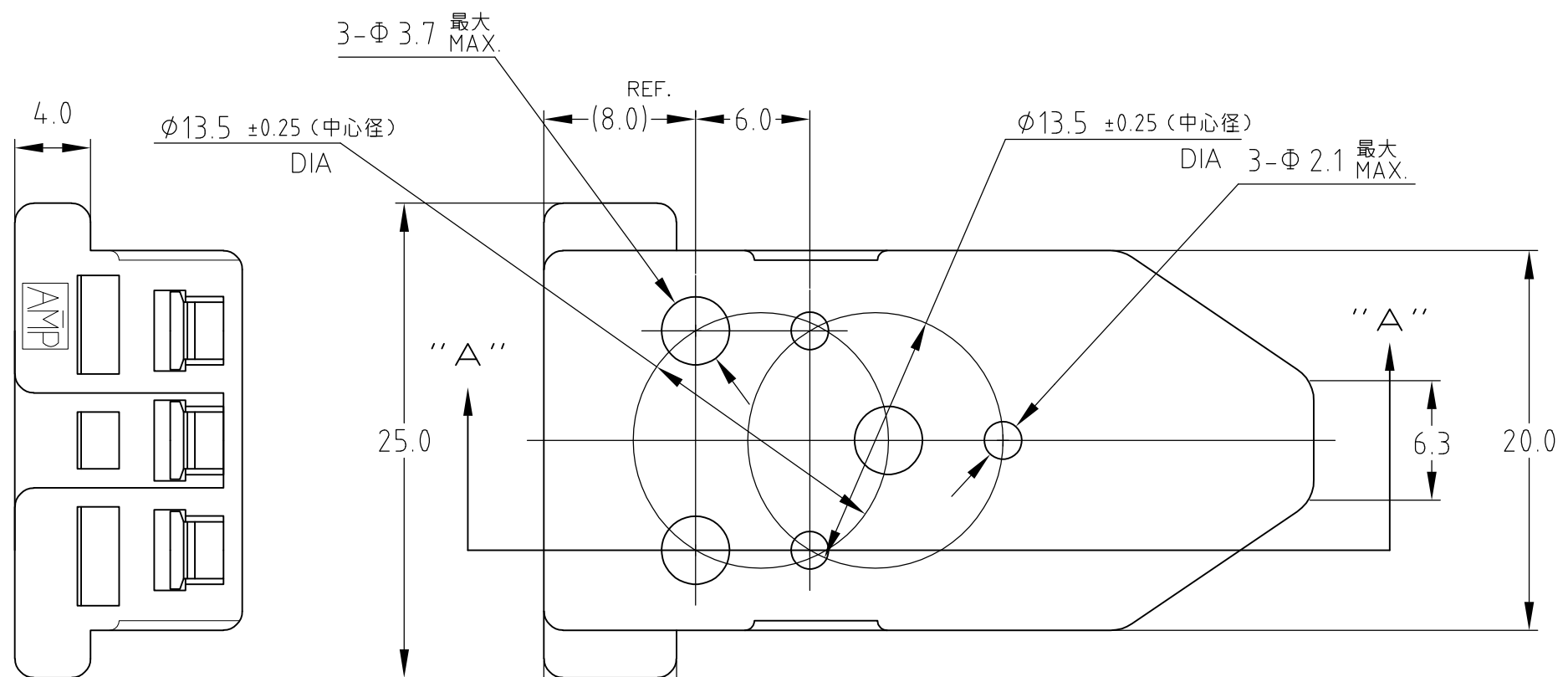


THIS DRAWING IS UNPUBLISHED. RELEASED FOR PUBLICATION OCT, 18 .  
 © COPYRIGHT 2002 Tyco Electronics JAPAN G.K. ALL RIGHTS RESERVED.

REVISIONS					
P	LTR	DESCRIPTION	DATE	DWN	APVD
	C1	REVISED PER ECR-16-004471	30MAY2016	K.S	PKS

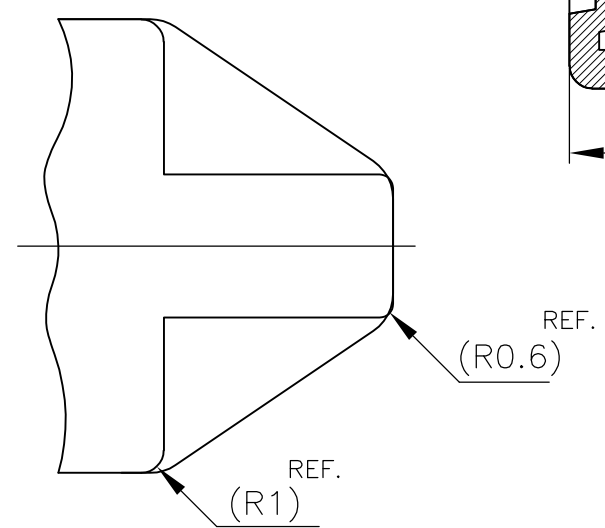
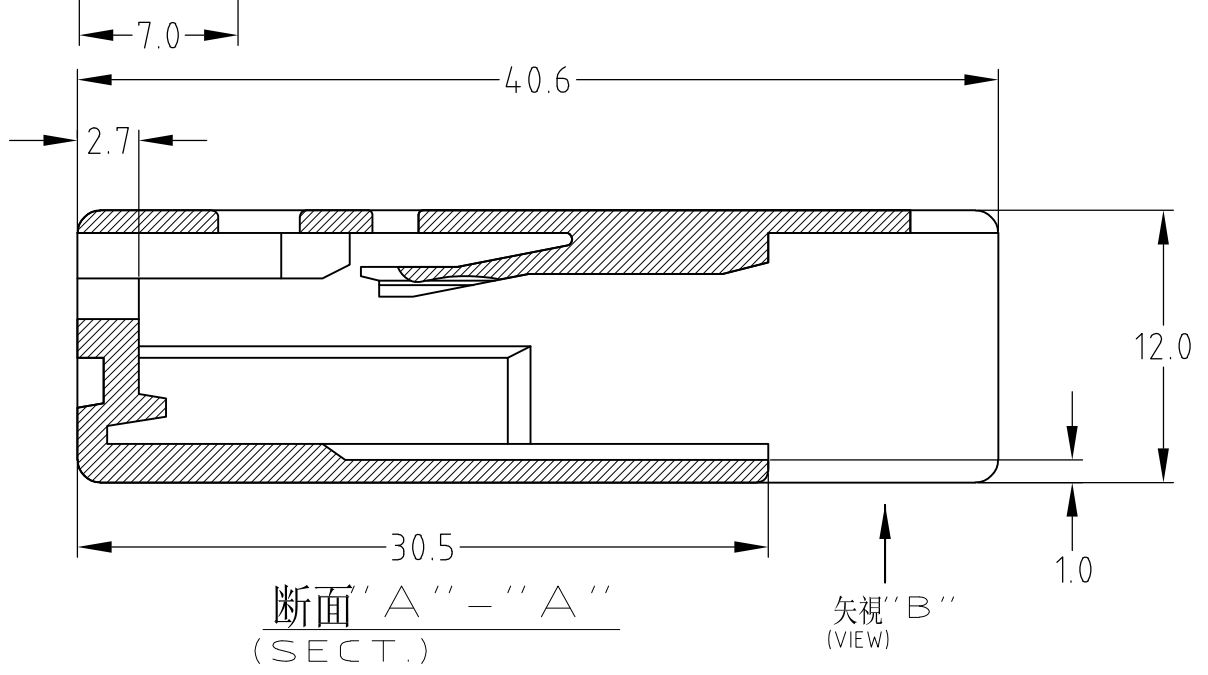


注記

- 1. 適用コンタクト 316294, 316292
- △ 耐加水分解PBT

NOTE;

- 1. APPLICABLE CONTACT : 316294, 316292
- △ MATERIAL; HYDROLYTIC CLEAVAGE RESISTANCE PBT



自然色 (NATURAL)	LCP (UL94V-0)	316293-3
黒 (BLACK)	△ 耐加水分解PBT(ガラス強化) GLASS FILLED (UL94HB)	316293-2
自然色 (NATURAL)	PBT(ガラス強化)(UL94HB) GLASS FILLED	316293-1
色調 (COLOR)	材料 (MATERIAL)	型番 (P/N)

THIS DRAWING IS A CONTROLLED DOCUMENT.													
DIMENSIONS: ??? ? mm	TOLERANCES UNLESS OTHERWISE SPECIFIED: ????												
<table border="1"> <tr><td>Ø PLØ</td><td>± 0.3</td></tr> <tr><td>1 PLC</td><td>± -</td></tr> <tr><td>2 PLC</td><td>± -</td></tr> <tr><td>3 PLC</td><td>± -</td></tr> <tr><td>4 PLØ</td><td>± -</td></tr> <tr><td>ANGLES</td><td>± 3 deg</td></tr> </table>	Ø PLØ	± 0.3	1 PLC	± -	2 PLC	± -	3 PLC	± -	4 PLØ	± -	ANGLES	± 3 deg	
Ø PLØ	± 0.3												
1 PLC	± -												
2 PLC	± -												
3 PLC	± -												
4 PLØ	± -												
ANGLES	± 3 deg												
MATERIAL ??	FINISH ??												
SEE TABLE													

DWN M.SUZUKI 18OCT02	<b>STE</b> TE Connectivity		
CHK M.SHINDO 18OCT02			
APVD M.SHINDO 18OCT02	NAME ??	3.2Φクラスター・ブロック	
PRODUCT SPEC 108-5494	3.2DIA CLUSTER BLOCK		
APPLICATION SPEC 114-5215	SIZE A3	CAGE CODE 00779	DRAWING NO C-316293
WEIGHT 0	RESTRICTED TO -		SCALE ?? 3:1
CUSTOMER DRAWING	SHEET 1 OF 1		REV C1

单击下面可查看定价，库存，交付和生命周期等信息

[>>TE Connectivity\(泰科\)](#)