

4

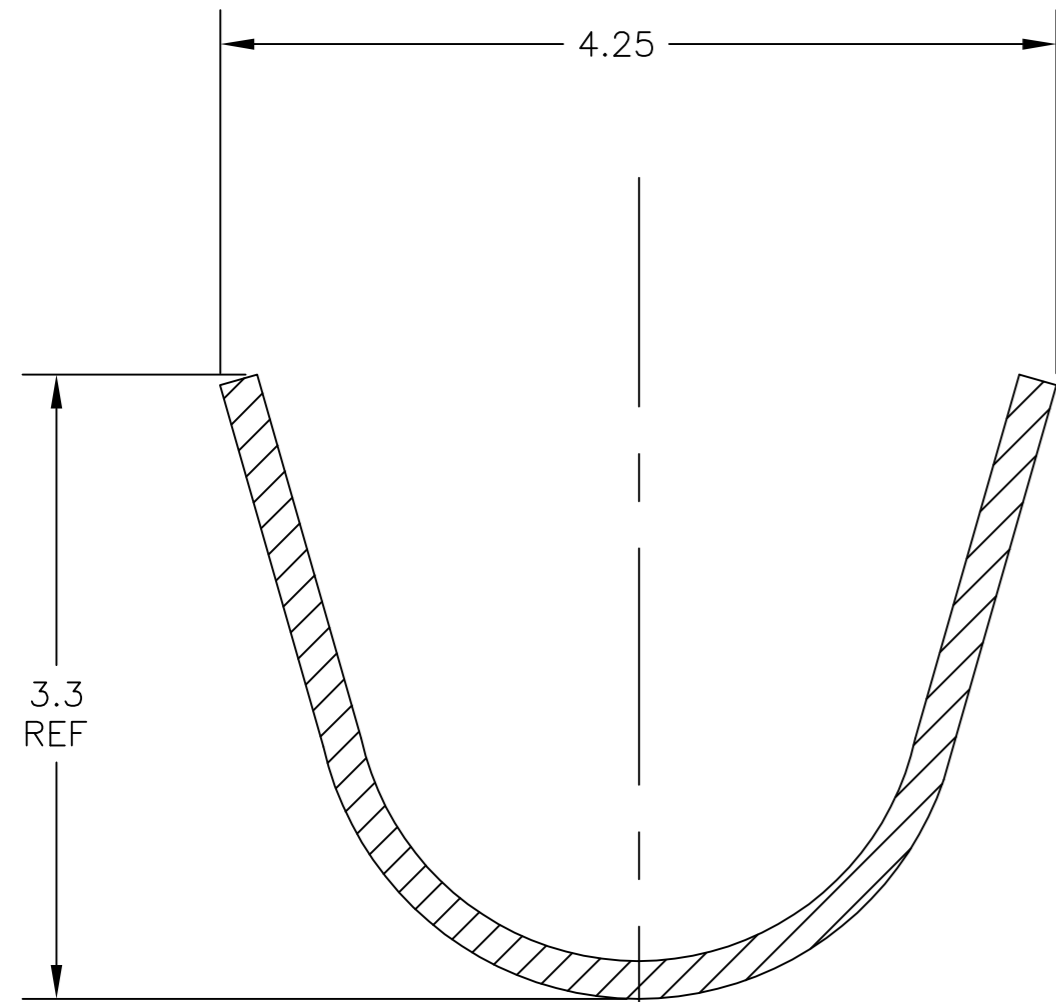
3

2

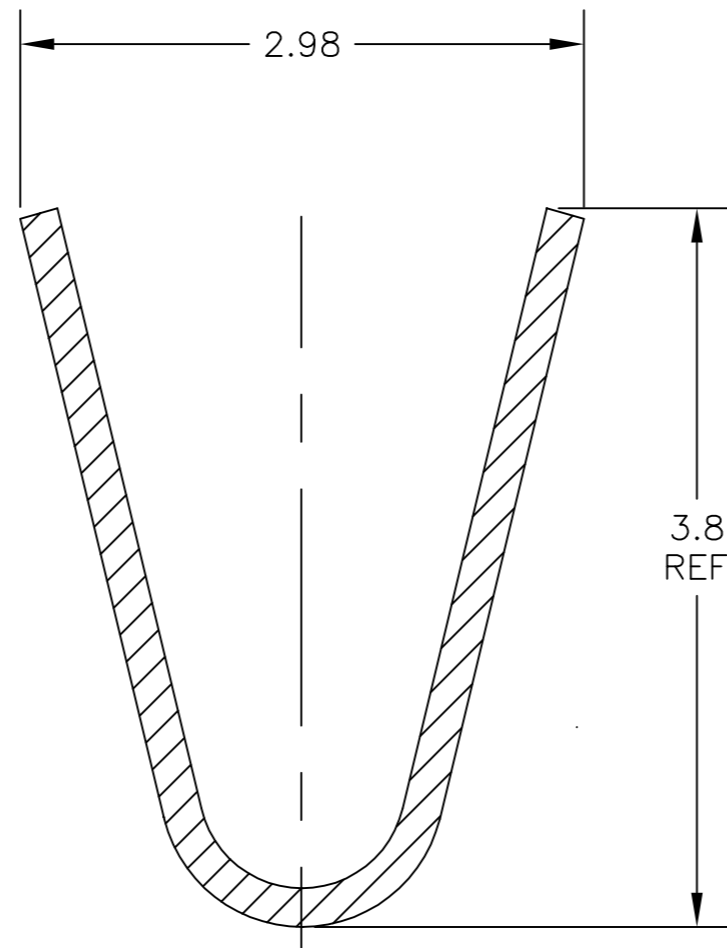
1

THIS DRAWING IS UNPUBLISHED. RELEASED FOR PUBLICATION. ALL RIGHTS RESERVED. © COPYRIGHT - By - TE CONNECTIVITY

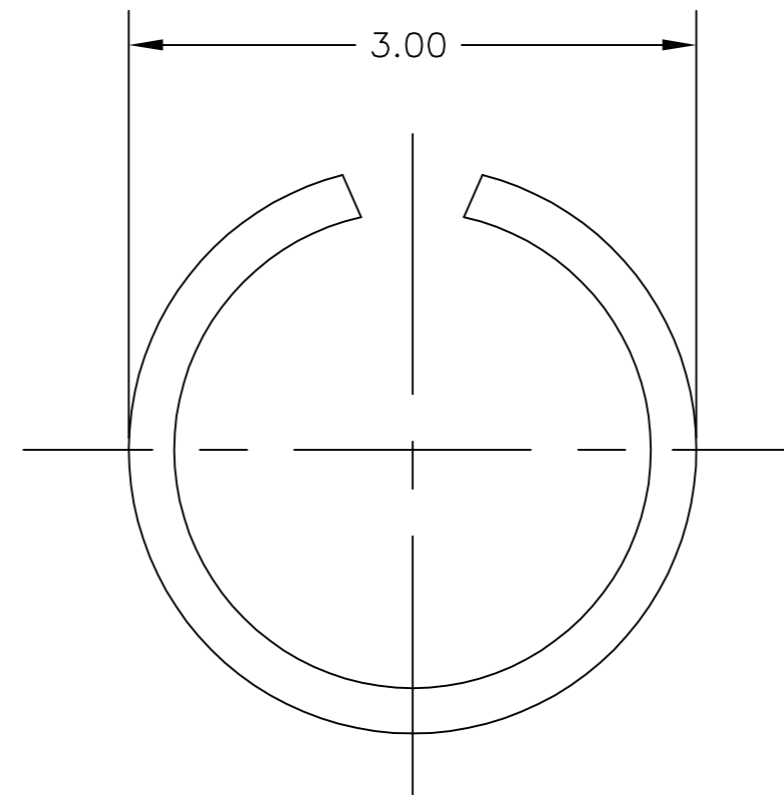
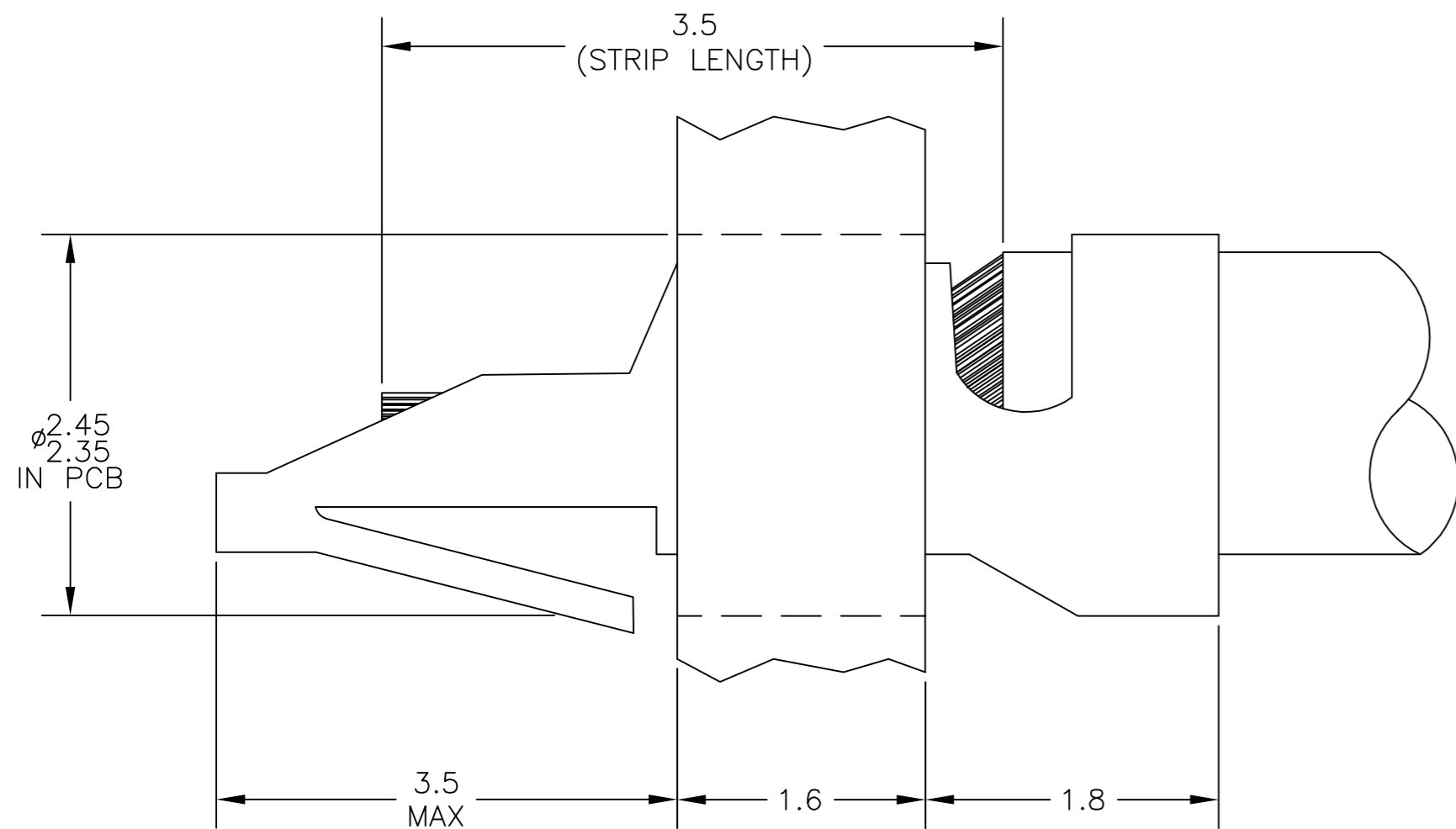
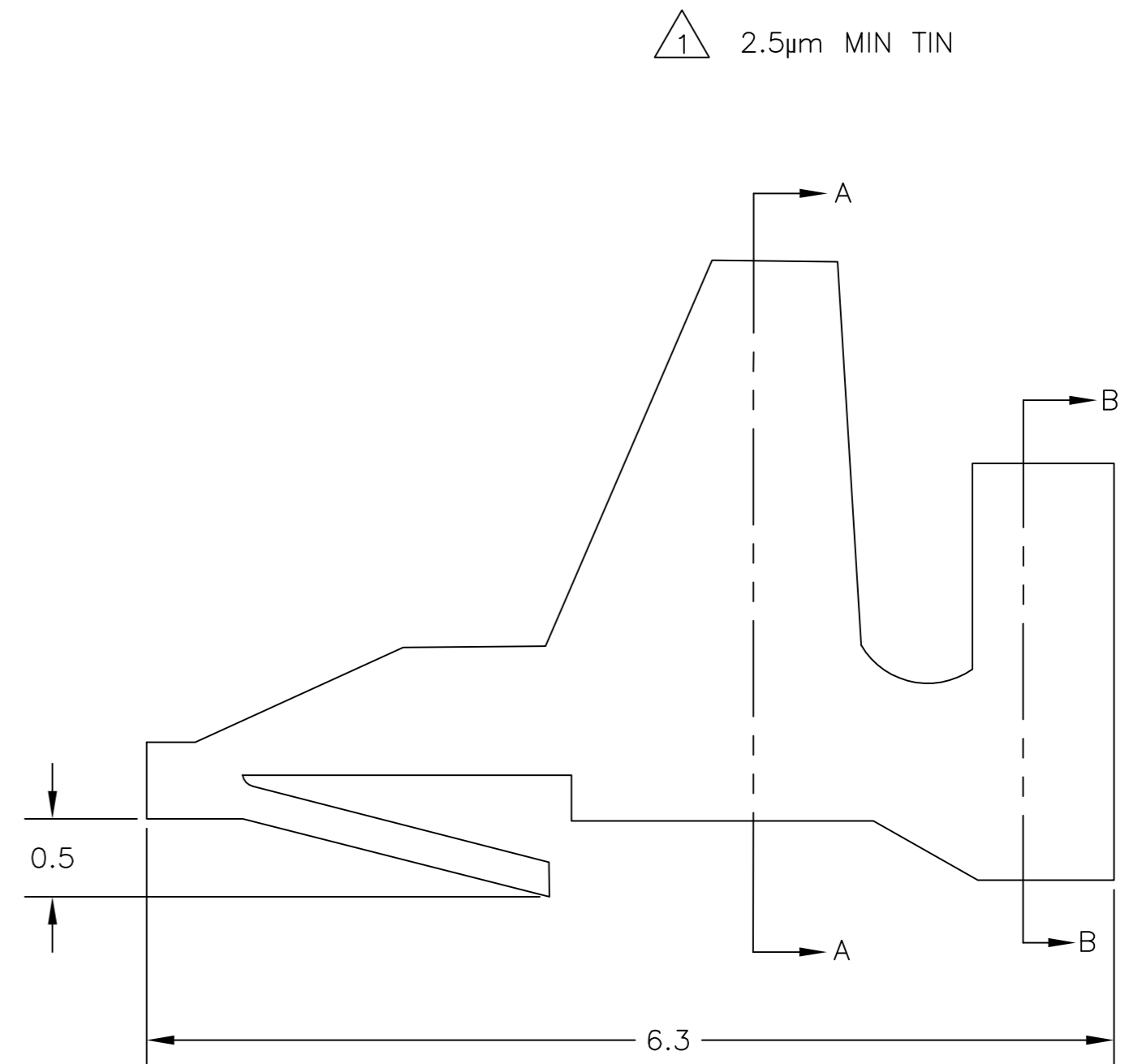
REVISIONS					
P	LTR	DESCRIPTION	DATE	DWN	APVD
B		REVISED PER ECR-16-017190	20FEB2017	BW	SG



SECTION B-B



SECTION A-A



DRAWING SHOWS 2mm² CABLE WITH 2.5mm INSULATION DIAMETER

	0.204 THK.	PRE-TIN Δ_1	PHOS. BRONZE	343445-2
OBSOLETE	0.204 THK.	POST-TIN	BRASS	343445-1
	OTHER TREATMENT	FINISH	MATERIAL	PART NUMBER

THIS DRAWING IS A CONTROLLED DOCUMENT.		DWN C. BARRY 13AUG1985	STE TE Connectivity	
DIMENSIONS: mm		CHK J. PALMER 13AUG1985		
TOLERANCES UNLESS OTHERWISE SPECIFIED:		APVD J. PALMER 13AUG1985	NAME AMP-IN-MINI (SPECIAL)	
0 PLC ± -		PRODUCT SPEC	-	
1 PLC ± 0.5		APPLICATION SPEC	-	
2 PLC ± -		WEIGHT	-	
3 PLC ± -		SIZE	A2	
4 PLC ± -		ANGLE	00779	
FINISH		DRAWING NO	C=343445	
-		RESTRICTED TO	-	
WIRE RANGE 0.75-2.0mm ²		CUSTOMER DRAWING	SCALE 8:1	
INS. DIA. RANGE 2.20-2.70		SHEET	1 of 1	
		REV	B	

单击下面可查看定价，库存，交付和生命周期等信息

[>>TE Connectivity\(泰科\)](#)