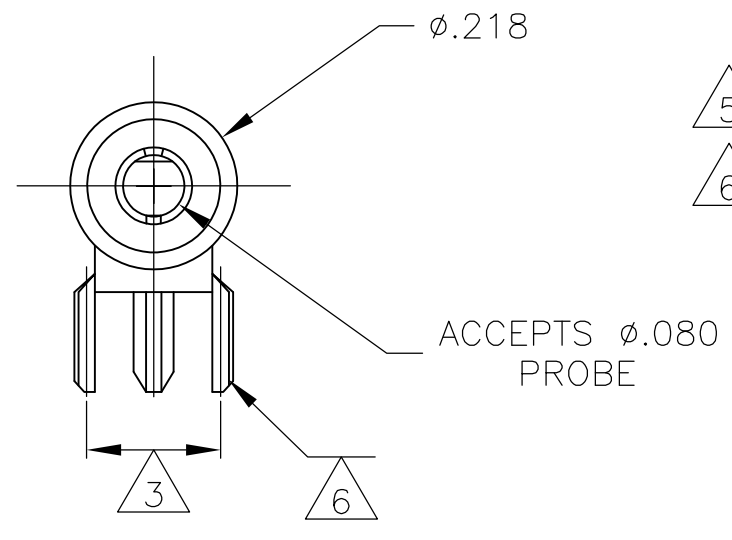
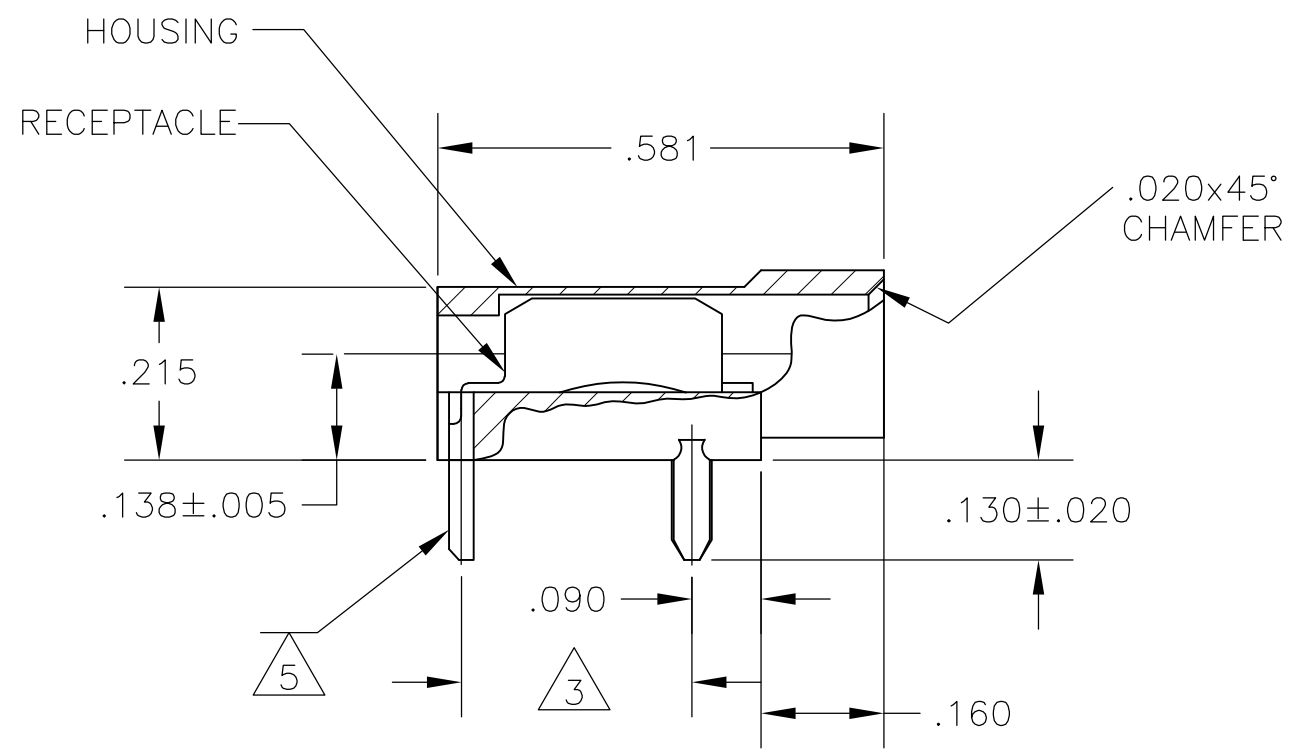
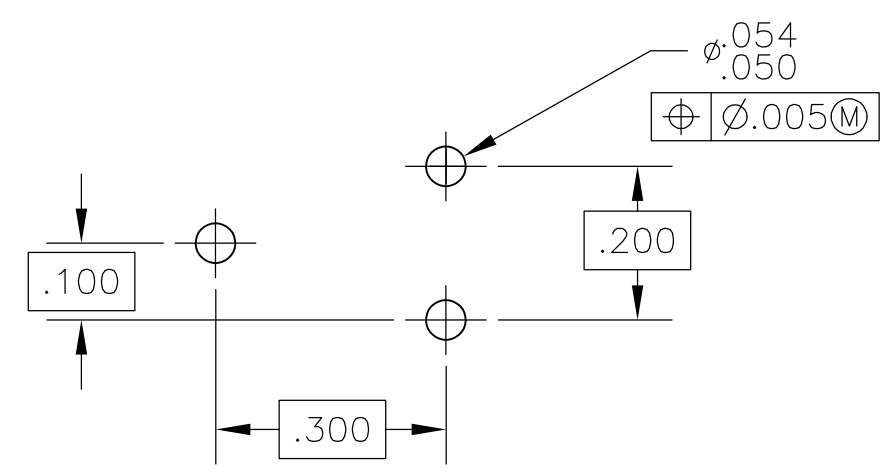


THIS DRAWING IS UNPUBLISHED. RELEASED FOR PUBLICATION
 © COPYRIGHT - By - ALL RIGHTS RESERVED.

LOC	DIST	REVISIONS					
AF	50	P	LTR	DESCRIPTION	DATE	DWN	APVD
		L2		REVISED PER ECO-11-004587	11MAR11	RK	HMR



- 1 OPERATING TEMPERATURE, 105°C MAX
- 2 RETENTION FORCE-16 OZ MIN INITIALLY, 6 OZ MIN AFTER 500 CYCLES.
- 3 REFER TO MOUNTING HOLE PATTERN.
- 5 SINGLE LEG IS LIVE CIRCUIT
- 6 DOUBLE LEGS FOR MECHANICAL MOUNTING ONLY.



RECOMMENDED MOUNTING HOLE PATTERN

	GOLD	WHITE	350180-9
OBSOLETE	GOLD	GRAY	350180-8
	GOLD	VIOLET	350180-7
	GOLD	BLUE	350180-6
	GOLD	GREEN	350180-5
	GOLD	YELLOW	350180-4
	GOLD	ORANGE	350180-3
	GOLD	RED	350180-2
OBSOLETE	GOLD	BROWN	350180-1
	GOLD	BLACK	350180-0
	RECEPTACLE & LEGS FINISH	HOUSING COLOR	ASSY NO.

THIS DRAWING IS A CONTROLLED DOCUMENT.		DWN RAGHAVENDRA 11JUL2008	STE TE Connectivity	
DIMENSIONS: INCHES		CHK JEFF RUTH 11JUL2008		
TOLERANCES UNLESS OTHERWISE SPECIFIED:		APVD ED HOWARD 11JUL2008	NAME	
0 PLC ± -		PRODUCT SPEC		
1 PLC ± -		APPLICATION SPEC		
2 PLC ± .015		SIZE CAGE CODE DRAWING NO RESTRICTED TO		
3 PLC ± -		A3 00779 C-350180		
4 PLC ± -		SCALE 4:1 SHEET 1 OF 1 REV L2		
ANGLES ± 1° 0'		CUSTOMER DRAWING		
MATERIAL HOUSING, NYLON TYPE 6/6 RECEPTACLE & LEGS, ASTM-B36 ALLOY6		FINISH		

单击下面可查看定价，库存，交付和生命周期等信息

[>>TE Connectivity\(泰科\)](#)