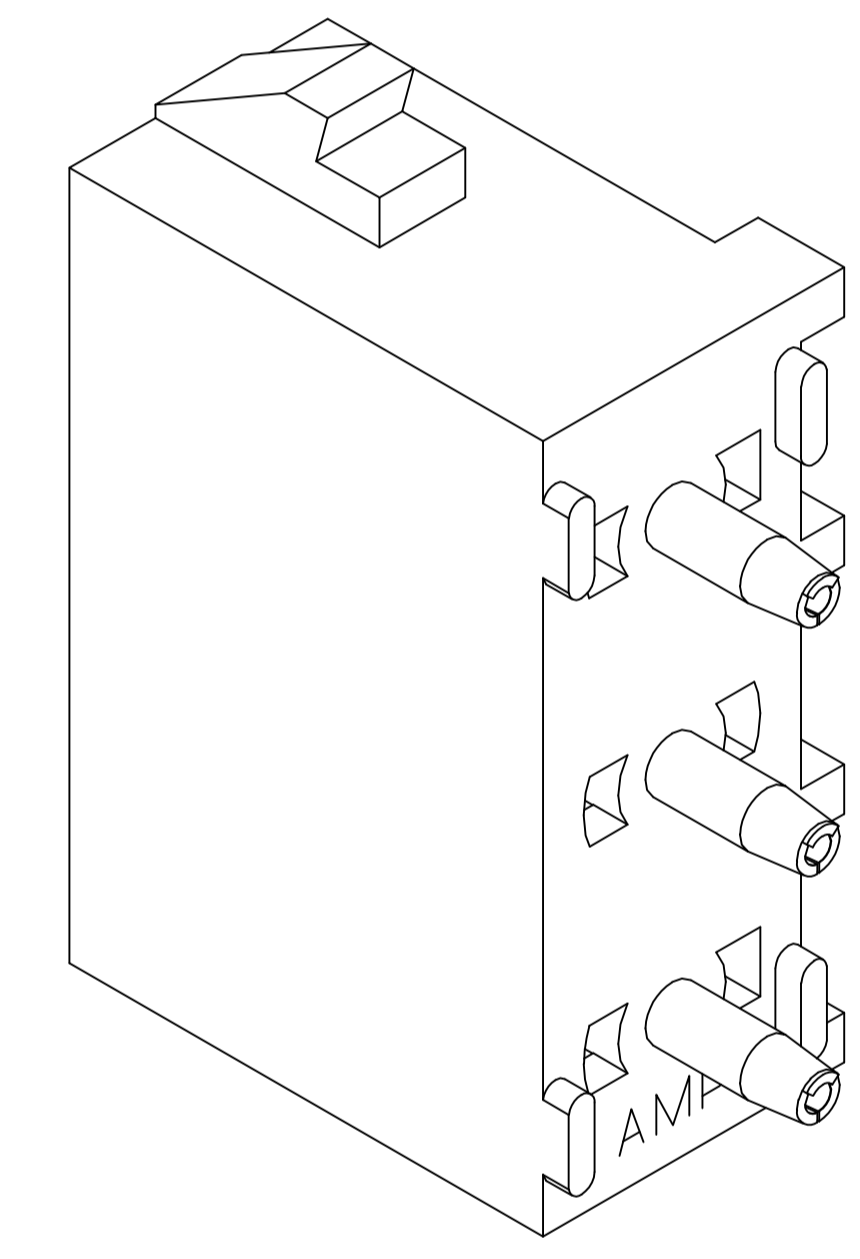


RECOMMENDED MOUNTING HOLE PATTERN FOR 1.57 [.062] THICK P.C. BOARD

- 1 PARTS COMPLY TO AMP SOLDERABILITY SPECIFICATION 109-11-3.
- 2 CONTACT IS PLATED OVERALL WITH 0.00127 [.000050] NICKEL, THEN 0.00076 [.000030] GOLD OVER CONTACT LENGTH INDICATED AND MATTE TIN LEAD ON SOLDER TAIL END.
- 3 CIRCUIT IDENTIFICATION CHARACTERS ARE ADJACENT TO THE INDICATED CAVITIES, BUT LOCATION AND ORIENTATION MAY DIFFER FROM PRINT.
- 4 DIMENSIONS IN BRACKETS ARE IN INCHES.
- 5 CONTACT IS PLATED OVERALL WITH 0.00127 [.000050] NICKEL, THEN 0.00076 [.000030] GOLD OVER CONTACT LENGTH INDICATED AND MATTE TIN ON SOLDER TAIL END.
- 6 SUPERSEDED BY 350429-4



3-DIMENSIONAL MODEL NTS

PHOSPHOR BRONZE, GOLD [5]	NYLON, UL94V-2,NATURAL	350429-4
PHOSPHOR BRONZE, GOLD [2]	NYLON, UL94V-2,NATURAL	350429-2
PHOSPHOR BRONZE, PRE-TIN	NYLON, UL94V-2,NATURAL	350429-1
PIN CONTACT MATERIAL AND FINISH	HOUSING MATERIAL	PART NUMBER

THIS DRAWING IS A CONTROLLED DOCUMENT.		DIN 8-19-98	TE Connectivity
DIMENSIONS: mm [INCHES]		8-19-98	
TOLERANCES UNLESS OTHERWISE SPECIFIED:		8-19-98	NAME
0 PLC ± -	1 PLC ± -	2 PLC ± 0.13 [.005]	PRODUCT SPEC
3 PLC ± -	4 PLC ± -	ANGLES ± 0° 30'	APPLICATION SPEC
MATERIAL SEE TABLE	FINISH SEE TABLE	WEIGHT -	SIZE CASE CODE DRAWING NO
		A1 00779 C=350429	RESTRICTED TO
CUSTOMER DRAWING		SCALE 5:1	SHEET 1 OF 1 REV Y2

单击下面可查看定价，库存，交付和生命周期等信息

[>>TE Connectivity\(泰科\)](#)