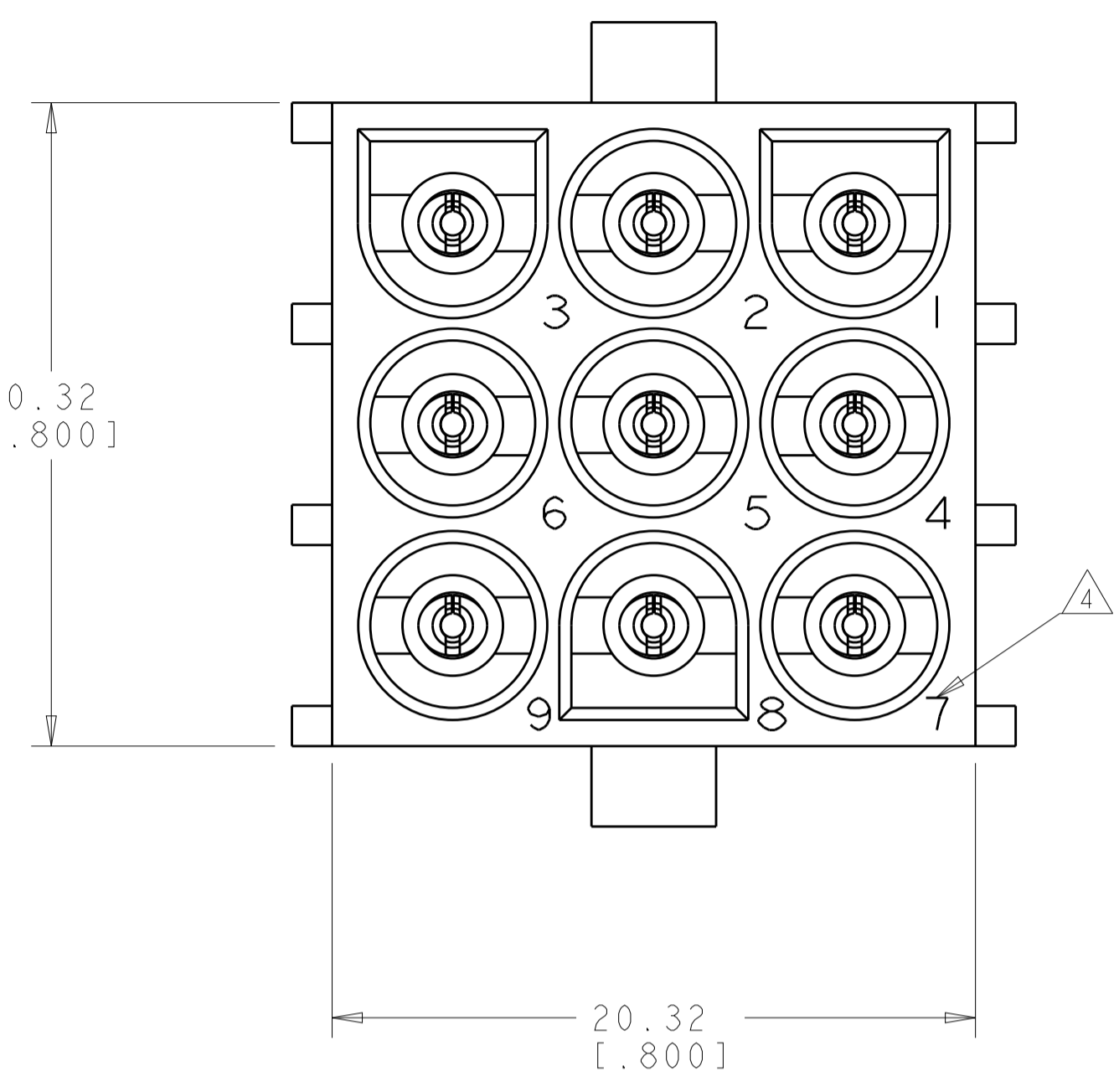
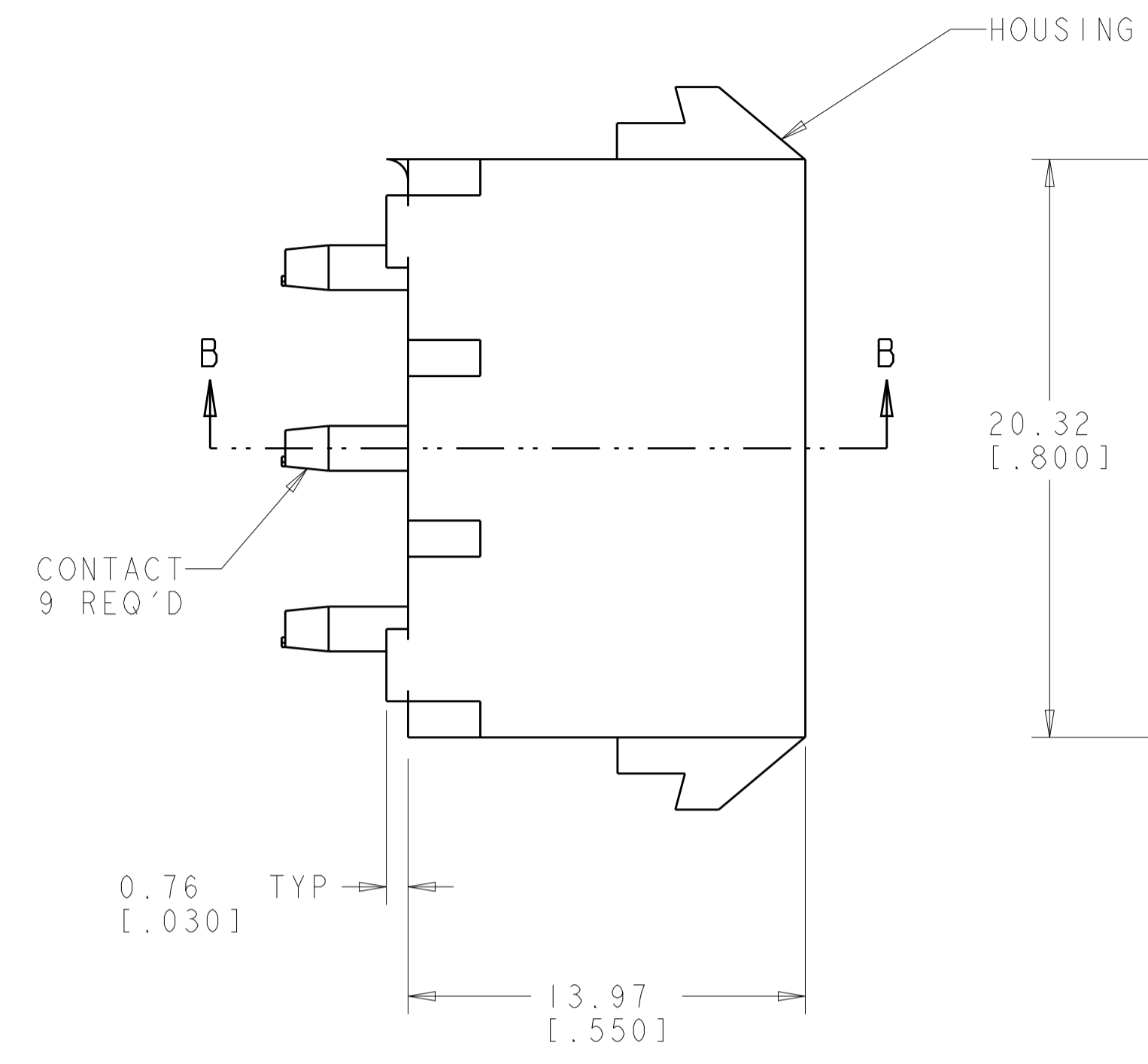
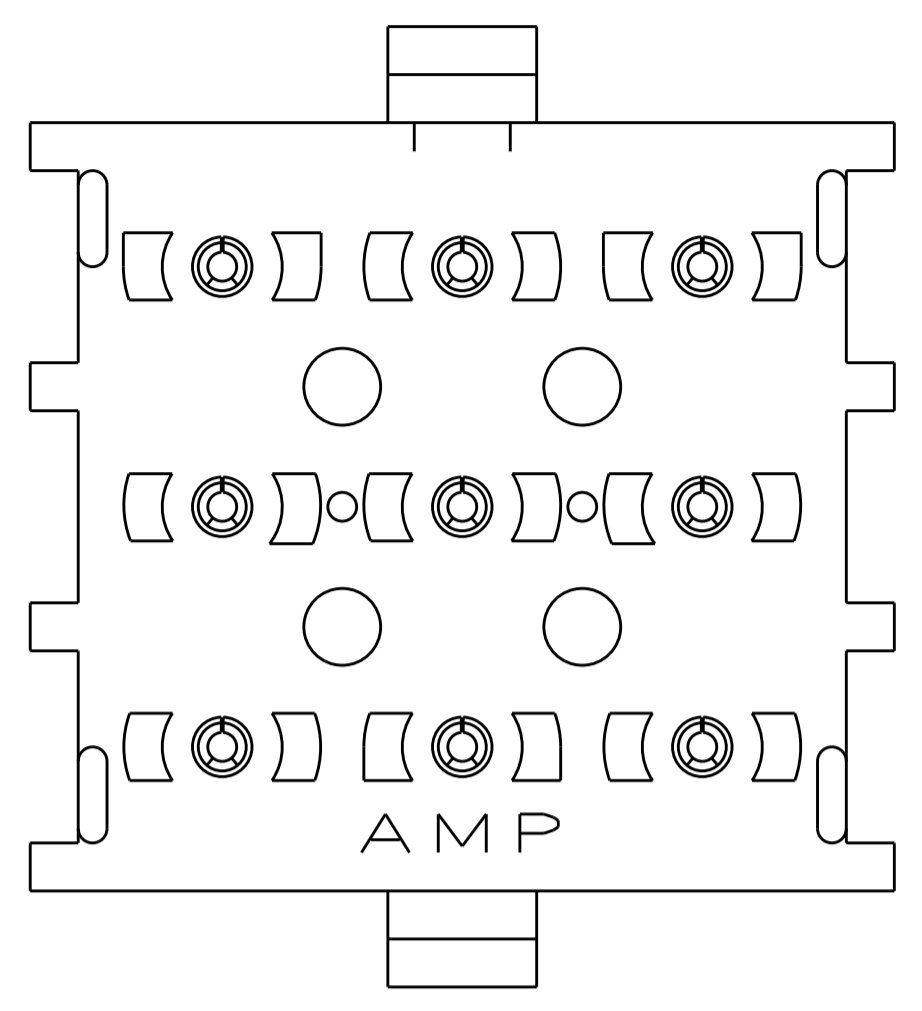
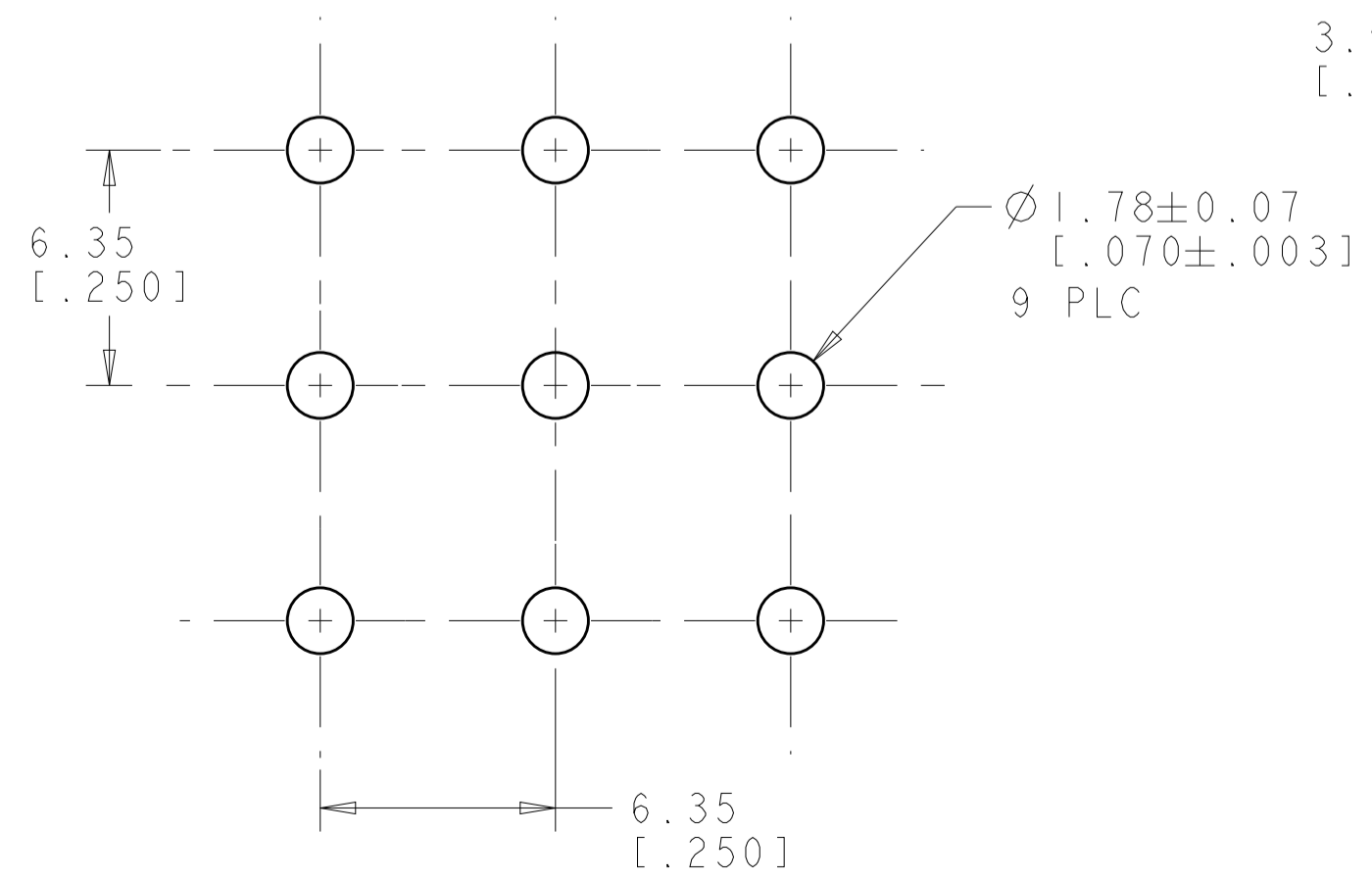
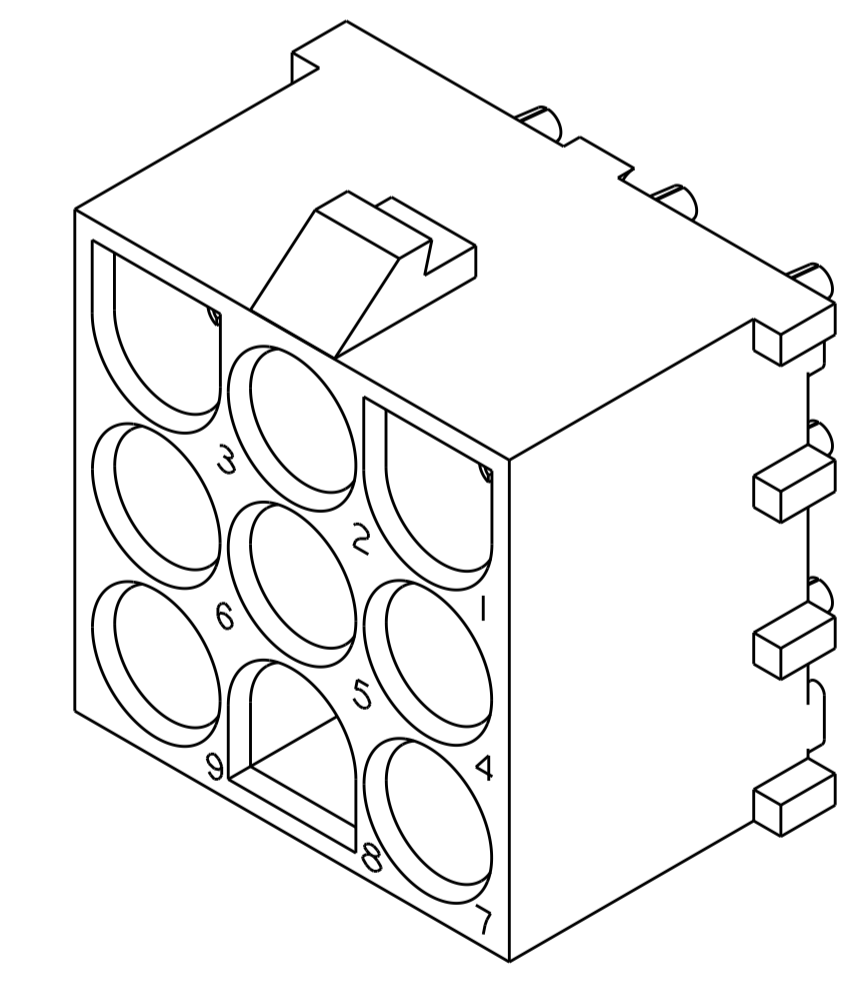
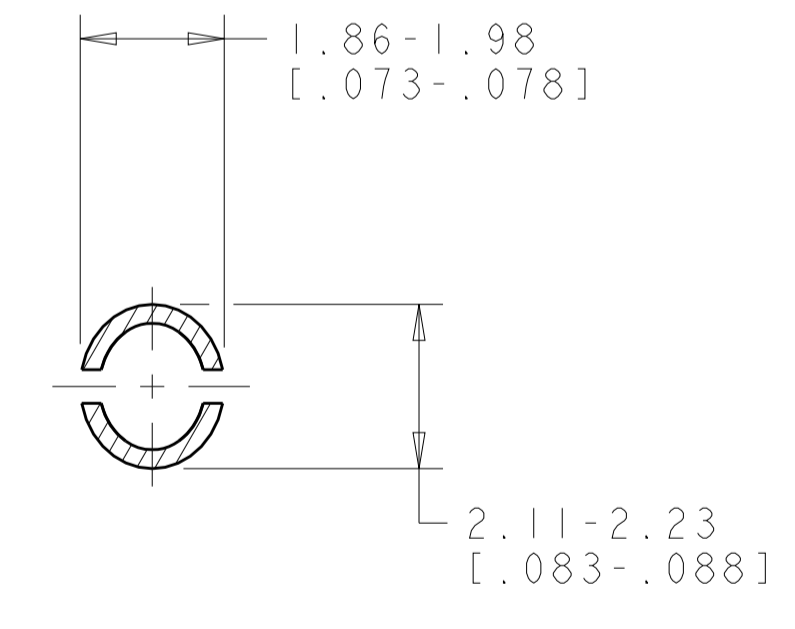
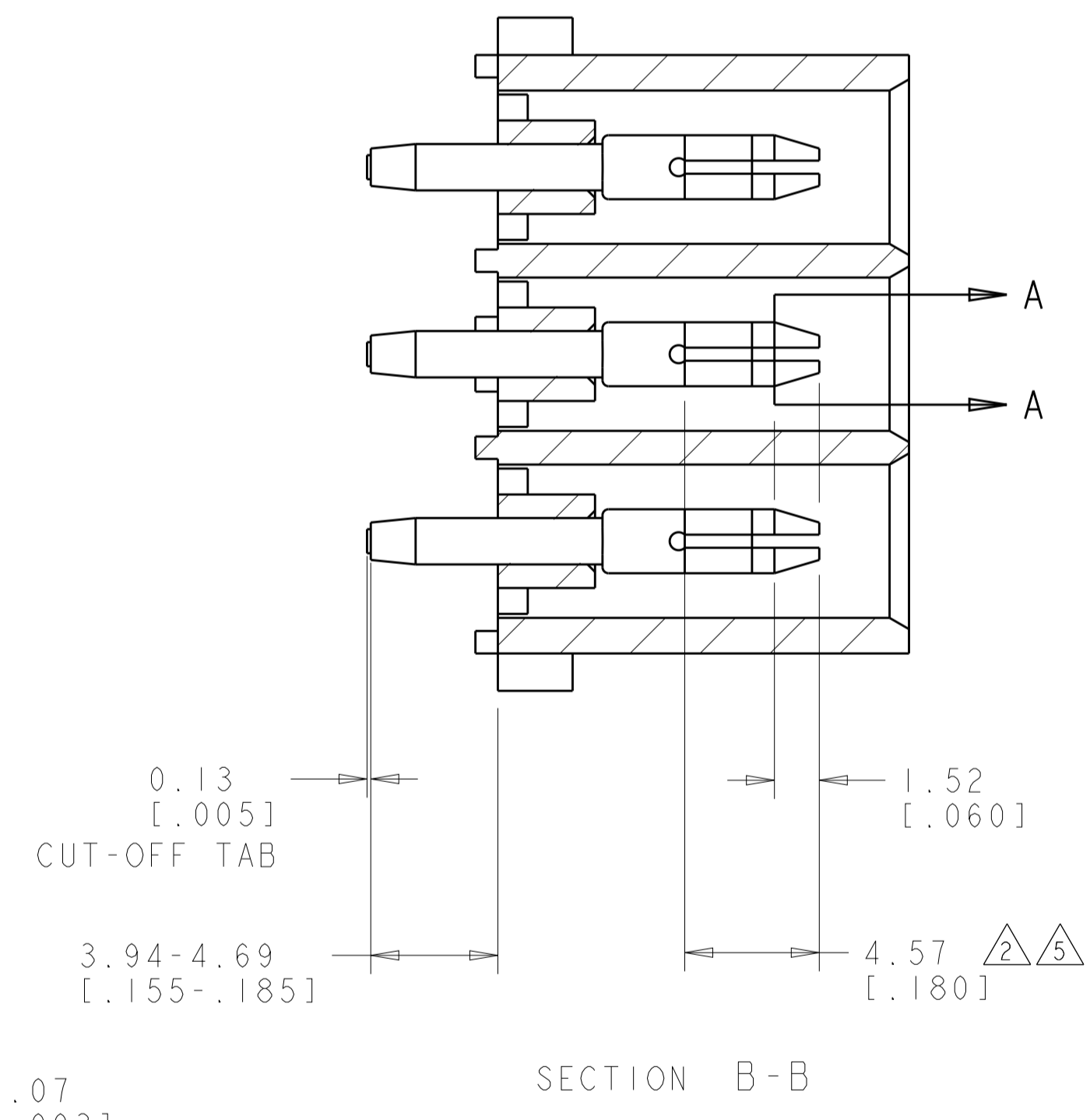


LOC		DIST		REVISIONS			
CM	00	P	LTN	DESCRIPTION	DATE	DWN	APVD
		W2		REVISED PER ECR-12-011660	24JAN2013	KH	TM

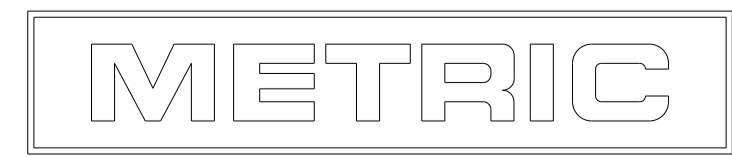


- PARTS COMPLY TO AMP SOLDERABILITY SPECIFICATION 109-11-3.
- CONTACT IS PLATED OVERALL WITH 0.00127 [.000050] NICKEL, THEN 0.00076 [.000030] GOLD OVER CONTACT LENGTH INDICATED AND TIN LEAD ON SOLDER TAIL END.
- MATES WITH HOUSING 480706.
- CIRCUIT IDENTIFICATION CHARACTERS ARE ADJACENT TO THE INDICATED CAVITIES, BUT LOCATION AND ORIENTATION MAY DIFFER FROM PRINT.
- CONTACT IS PLATED OVERALL WITH 0.00127 [.000050] NICKEL, THEN 0.00076 [.000030] GOLD OVER CONTACT LENGTH INDICATED AND MATTE TIN ON SOLDER TAIL END.
- DIMENSIONS IN BRACKETS ARE IN INCHES.
- SUPERSEDED BY 350432-4



RECOMMENDED MOUNTING HOLE PATTERN FOR 1.57 [.062] THICK P.C. BOARD

PHOSPOR BRONZE, GOLD $\Delta 5$	NYLON, UL94V-2, NATURAL	350432-4
$\Delta 1$ PHOSPOR BRONZE, GOLD $\Delta 2$	NYLON, UL94V-2, NATURAL	350432-2
PHOSPOR BRONZE, PRE-TIN	NYLON, UL94V-2, NATURAL	350432-1
PIN CONTACT MATERIAL AND FINISH	HOUSING MATERIAL AND COLOR	PART NUMBER



THIS DRAWING IS A CONTROLLED DOCUMENT.		DWN: 19JULY2005	TE Connectivity
DIMENSIONS: mm [INCHES]		CHK: WHITAKER 19JULY2005	
TOLERANCES UNLESS OTHERWISE SPECIFIED:		S. RIDGILL 19JULY2005	
0 PLC ± 1 PLC ±0.131(.005) 2 PLC ± 3 PLC ± 4 PLC ± ANGLES 40°/30°		APVD: S. RIDGILL 19JULY2005	
MATERIAL: SEE TABLE	FINISH: SEE TABLE	NAME: PIN HEADER ASSEMBLY, 9 CIRCUIT, UNIVERSAL MATE-N-LOK TM	RESTRICTED TO
CUSTOMER DRAWING		SIZE: A1	SCALE: 5:1

单击下面可查看定价，库存，交付和生命周期等信息

[>>TE Connectivity\(泰科\)](#)