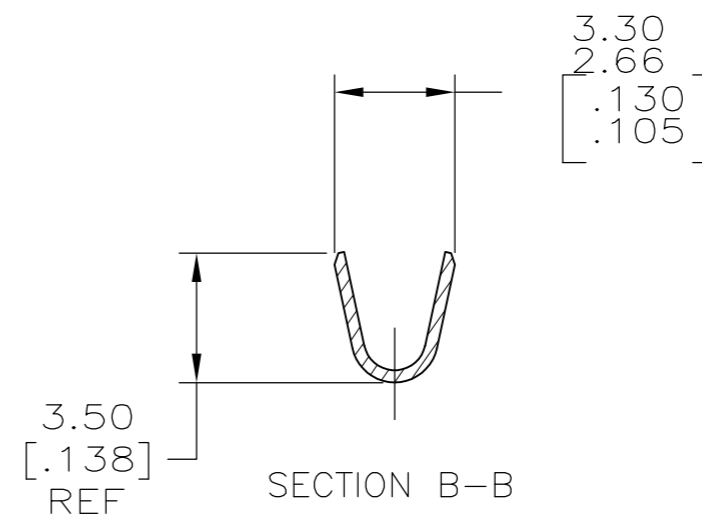
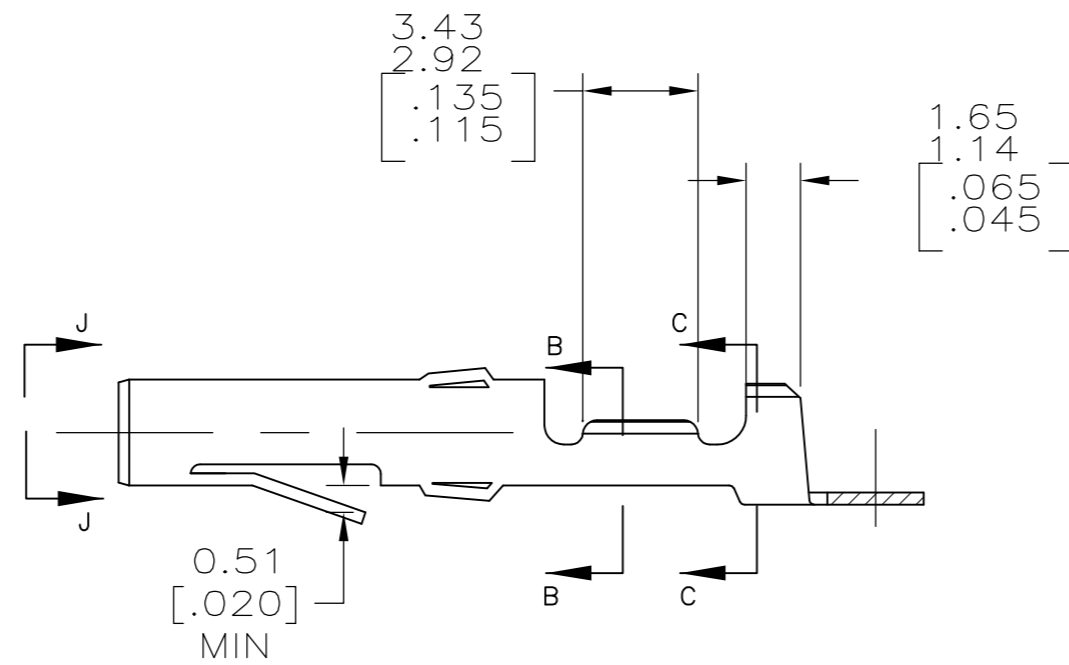
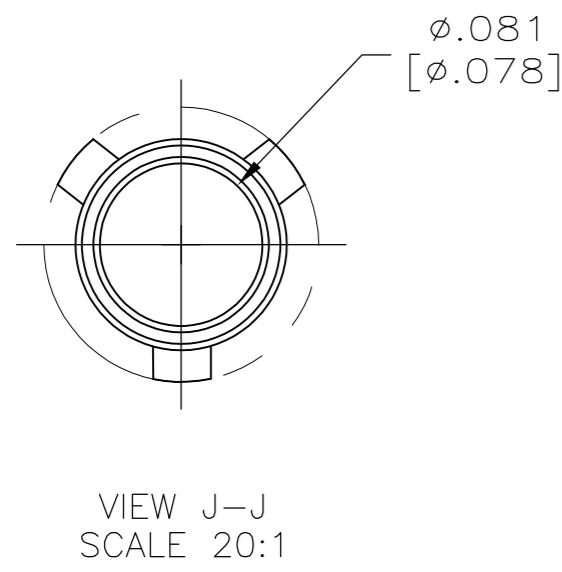
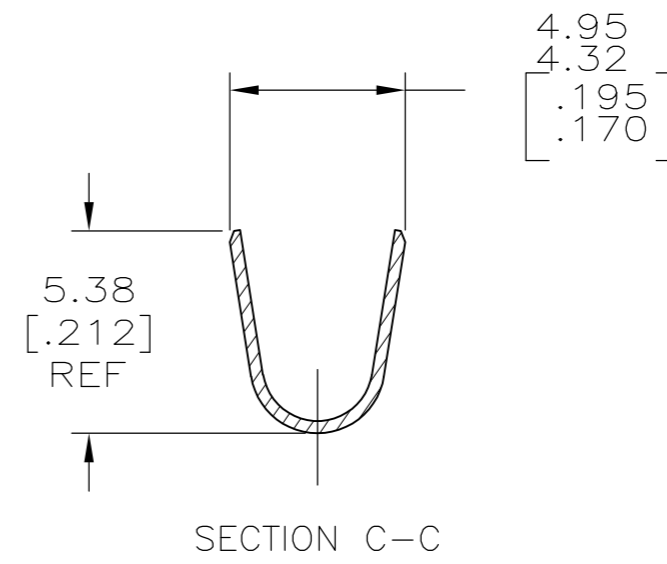
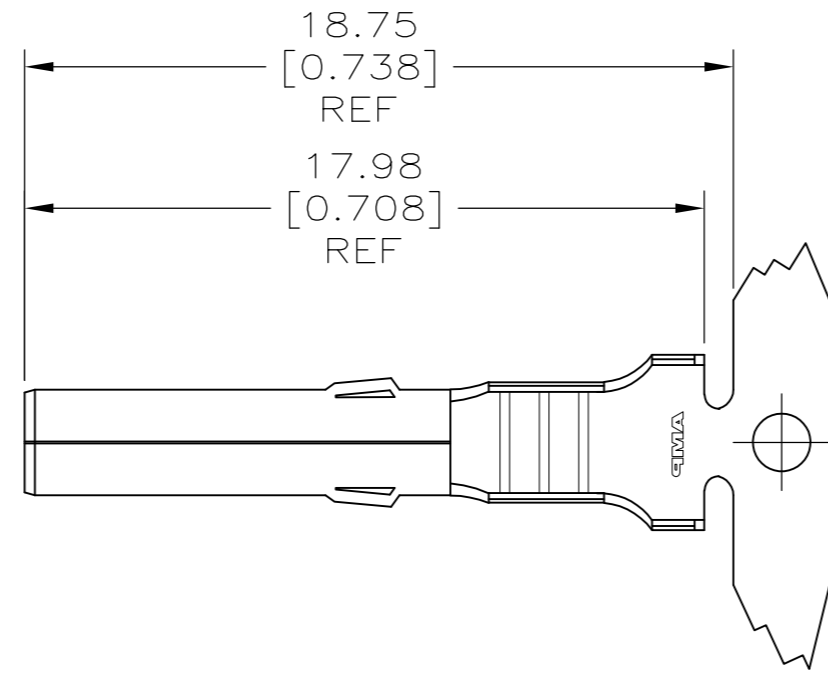


THIS DRAWING IS UNPUBLISHED. RELEASED FOR PUBLICATION
 © COPYRIGHT - By - ALL RIGHTS RESERVED.

LOC		DIST		REVISIONS			
P	LTR	DESCRIPTION		DATE	DWN	APVD	
CM	00	H		REVISED PER ECR-12-001565	31JAN12	KH	TM

- 1 WIRE RANGE: 2 WIRES OF 0.8 – 0.9 mm² [18 AWG] OR 1 WIRE OF 0.8 – 0.9 mm² [18 AWG] AND 1 WIRE OF 1.25 – 1.4 mm² [16 AWG].
- 2 INSULATION RANGE: 2 WIRES OF 2.92 [.115] MAX DIA EACH, STACKED.
- 3 DIMENSIONS IN BRACKETS ARE IN INCHES.



PRE-TIN	PH.BRONZE	350557-4
PRE-TIN	BRASS	350557-1
FINISH	MATERIAL	PART NO

THIS DRAWING IS A CONTROLLED DOCUMENT.		DWN RAGHAVENDRA 23OCT2008																		
DIMENSIONS: mm [INCHES]		CHK CASH CHRIS 23OCT2008																		
TOLERANCES UNLESS OTHERWISE SPECIFIED:		APVD CASH CHRIS 23OCT2008																		
<table border="1"> <tr><td>0 PLC</td><td>±</td><td>-</td></tr> <tr><td>1 PLC</td><td>±</td><td>-</td></tr> <tr><td>2 PLC</td><td>±</td><td>-</td></tr> <tr><td>3 PLC</td><td>±</td><td>0.01</td></tr> <tr><td>4 PLC</td><td>±</td><td>-</td></tr> <tr><td>ANGLES</td><td>±</td><td>1'0"</td></tr> </table>		0 PLC			±	-	1 PLC	±	-	2 PLC	±	-	3 PLC	±	0.01	4 PLC	±	-	ANGLES	±
0 PLC	±	-																		
1 PLC	±	-																		
2 PLC	±	-																		
3 PLC	±	0.01																		
4 PLC	±	-																		
ANGLES	±	1'0"																		
MATERIAL SEE TABLE	FINISH SEE TABLE	PRODUCT SPEC	MATE-N-LOK SOCKET																	
		APPLICATION SPEC	RESTRICTED TO																	
		WEIGHT -	SIZE A2																	
		CUSTOMER DRAWING	CAGE CODE 00779																	
			DRAWING NO C=350557																	
			SCALE 5:1																	
			SHEET 1 OF 1																	
			REV H																	

单击下面可查看定价，库存，交付和生命周期等信息

[>>TE Connectivity\(泰科\)](#)