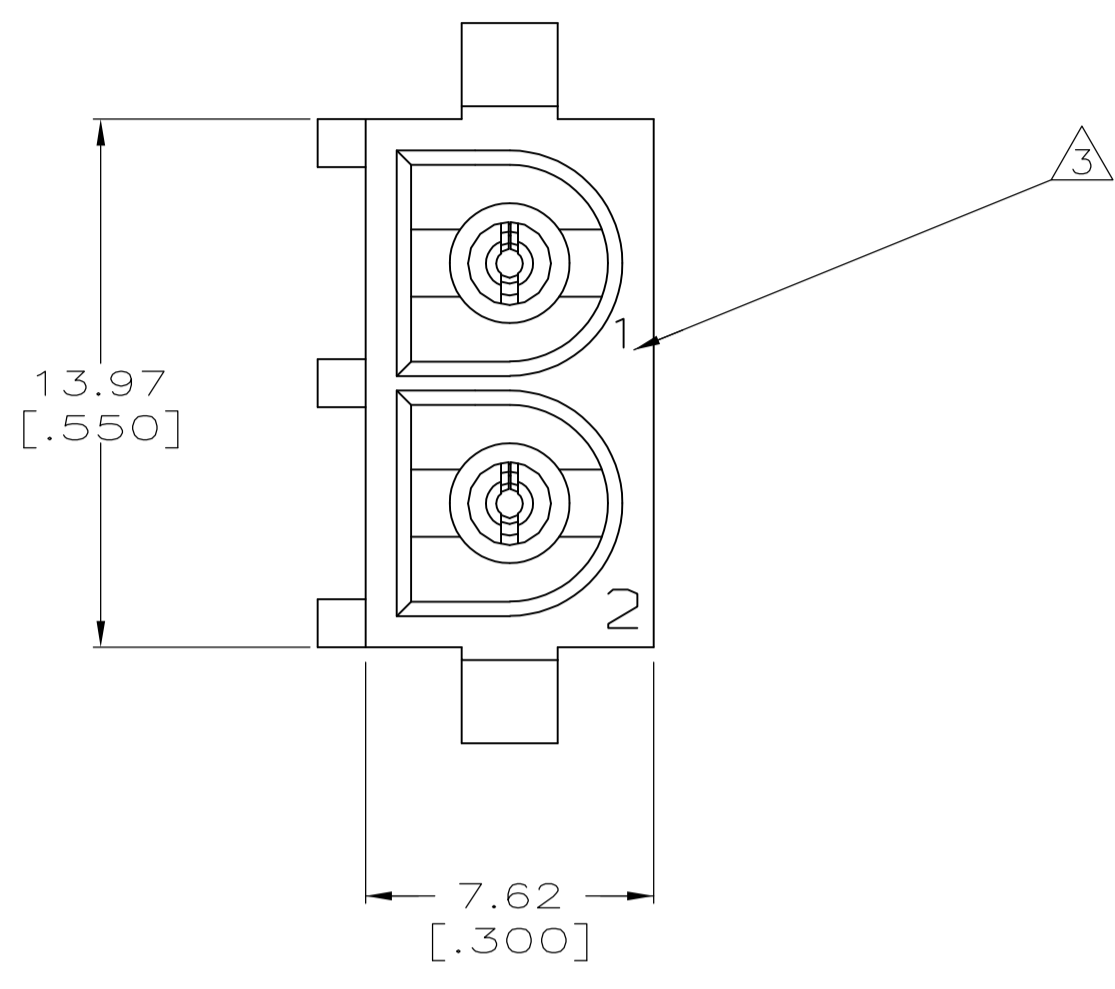
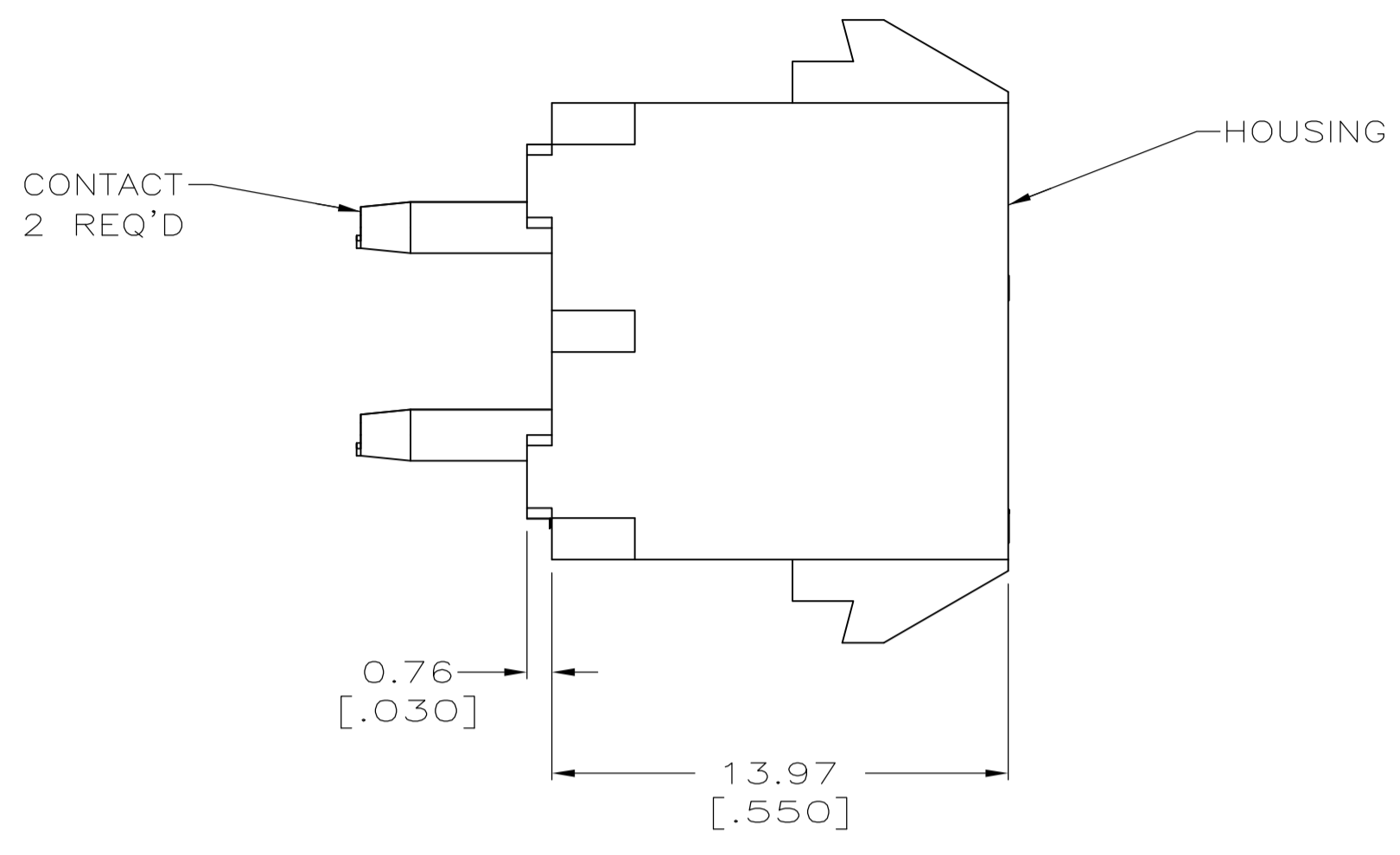
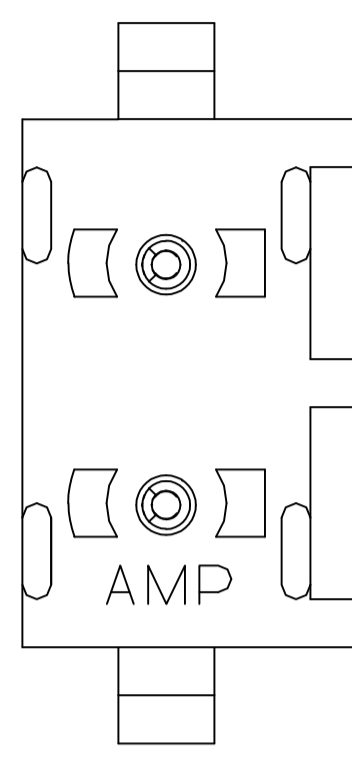
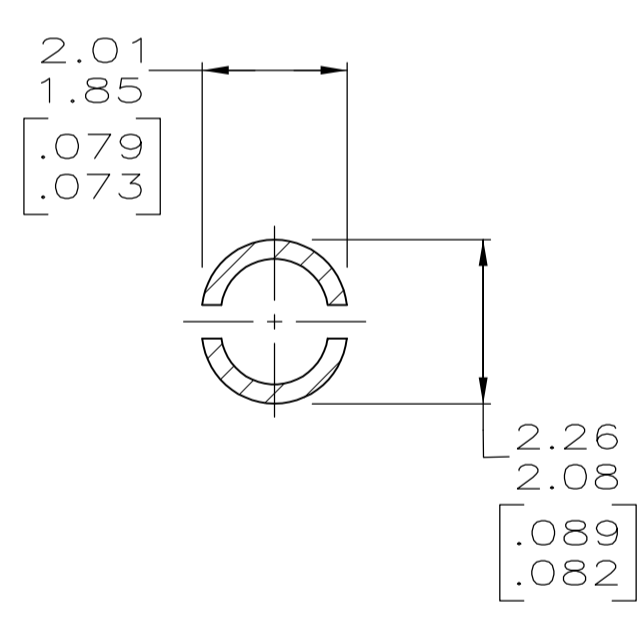
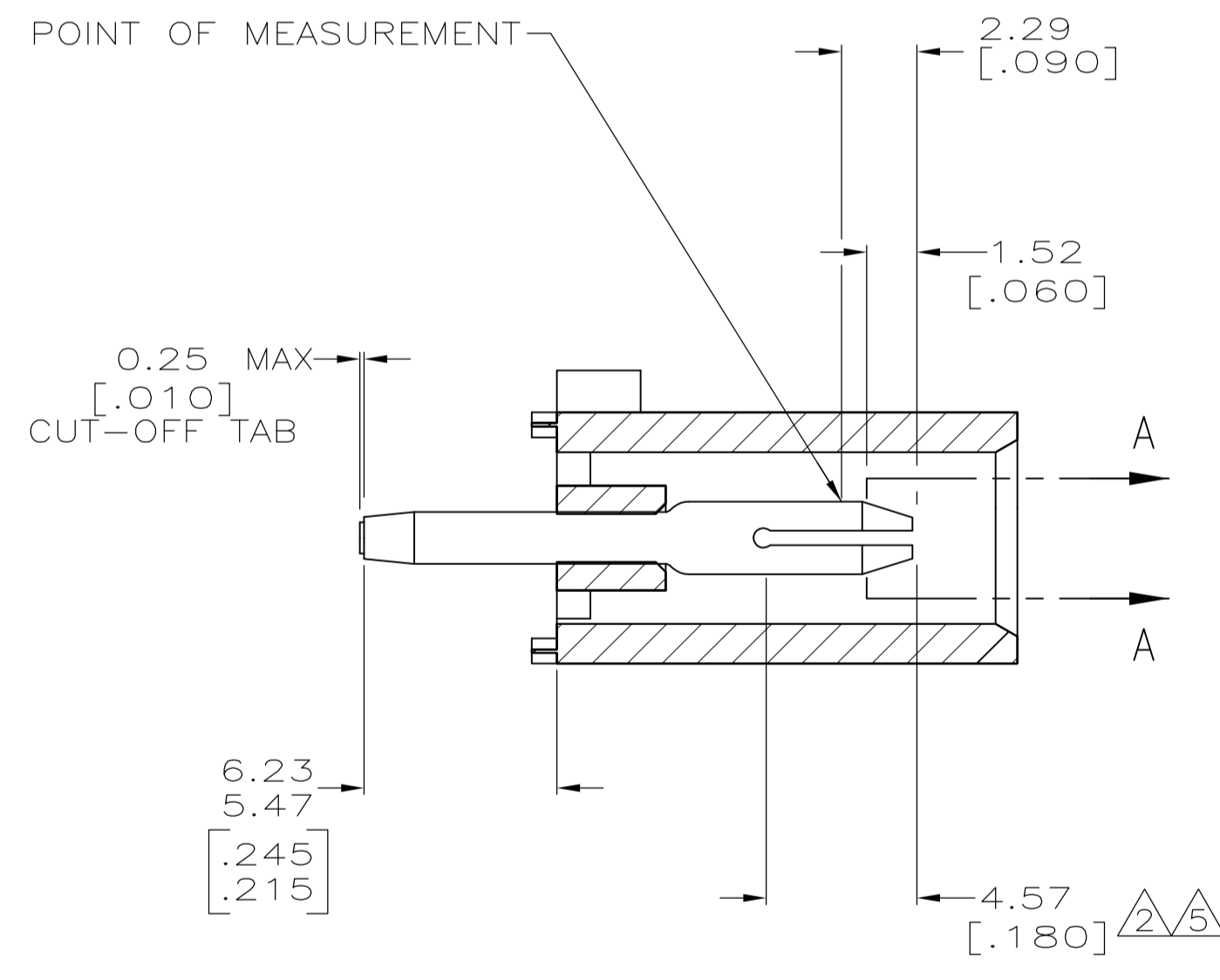


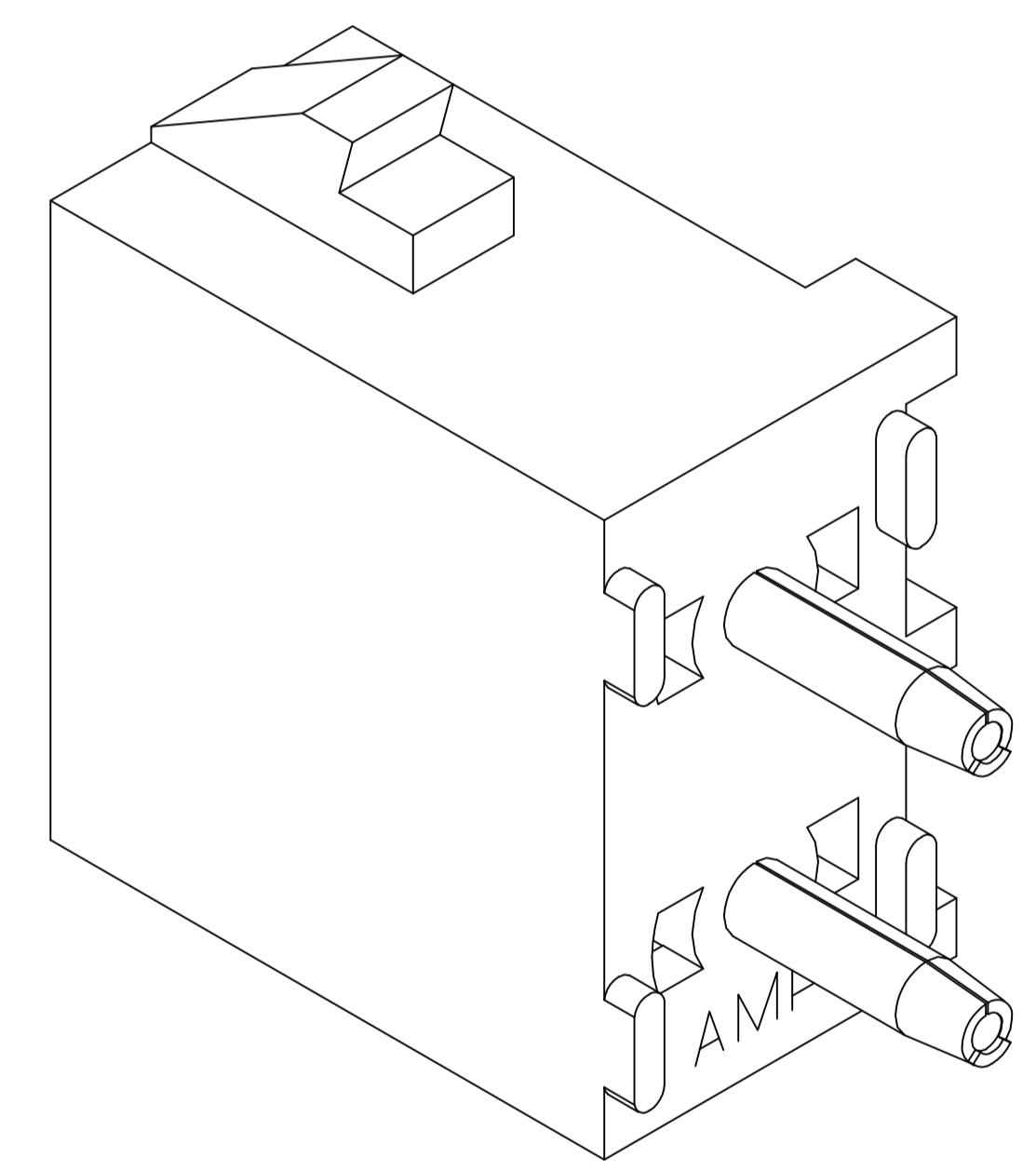
LOC		DIST		REVISIONS			
CM	00	REV	DATE	BY	CHK	APPV	
T2	REVISED PER ECR-12-011660	24JAN13	KH	TM			



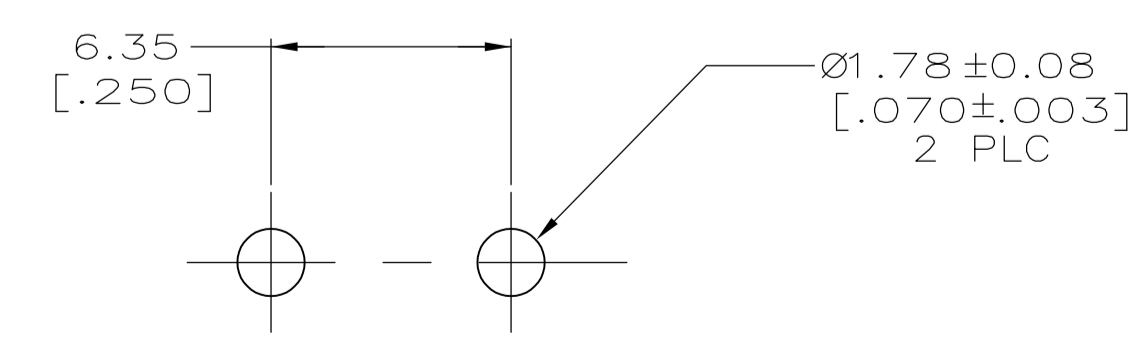
- 1 PARTS COMPLY TO AMP SOLDERABILITY SPECIFICATION 109-11-3.
- 2 CONTACT IS PLATED OVERALL WITH 0.00127 [.000050] NICKEL, THEN 0.00076 [.000030] GOLD OVER CONTACT LENGTH INDICATED AND MATTE TIN LEAD ON SOLDER TAIL END.
- 3 CIRCUIT IDENTIFICATION CHARACTERS ARE ADJACENT TO THE INDICATED CAVITIES, BUT LOCATION AND ORIENTATION MAY DIFFER FROM PRINT.
- 4 DIMENSIONS IN BRACKETS ARE IN INCHES.
- 5 CONTACT IS PLATED OVERALL WITH 0.00127 [.000050] NICKEL, THEN 0.00076 [.000030] GOLD OVER CONTACT LENGTH INDICATED AND MATTE TIN ON SOLDER TAIL END.
- 6 SUPERSEDED BY 350582-4



SECTION A-A
SCALE 10:1



3-DIMENSIONAL MODEL
NTS



RECOMMENDED MOUNTING HOLE PATTERN
FOR 3.18 [.125] THICK P.C. BOARD

PHOSPHOR BRONZE, GOLD	NYLON,UL94V-2,NATURAL	350582-4
PHOSPHOR BRONZE, GOLD	NYLON,UL94V-2,NATURAL	350582-2
PHOSPHOR BRONZE, PRE-TIN	NYLON,UL94V-2,NATURAL	350582-1
PIN CONTACT MATERIAL AND FINISH	HOUSING MATERIAL	PART NUMBER

THIS DRAWING IS A CONTROLLED DOCUMENT.		DIN 8-20-98	TE Connectivity	
DIMENSIONS: mm [INCHES]		0 PLC ± -	PIN HEADER ASSEMBLY, 2 CIRCUIT UNIVERSAL MATE-N-LOK™	
TOLERANCES UNLESS OTHERWISE SPECIFIED:		1 PLC ± -	CUSTOMER DRAWING	
TOLERANCES UNLESS OTHERWISE SPECIFIED:		2 PLC ± 0.13 [.005]	SCALE 5:1 SHEET 1 OF 1 REV T2	
TOLERANCES UNLESS OTHERWISE SPECIFIED:		3 PLC ± -		
TOLERANCES UNLESS OTHERWISE SPECIFIED:		4 PLC ± -		
TOLERANCES UNLESS OTHERWISE SPECIFIED:		ANGLES ± 0° 30'		
MATERIAL SEE TABLE		FINISH SEE TABLE	WEIGHT -	
MATERIAL SEE TABLE		FINISH SEE TABLE	SIZE A1 00779 C=350582	

单击下面可查看定价，库存，交付和生命周期等信息

[>>TE Connectivity\(泰科\)](#)