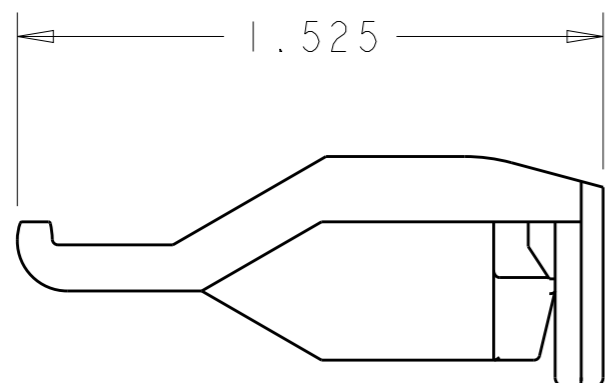
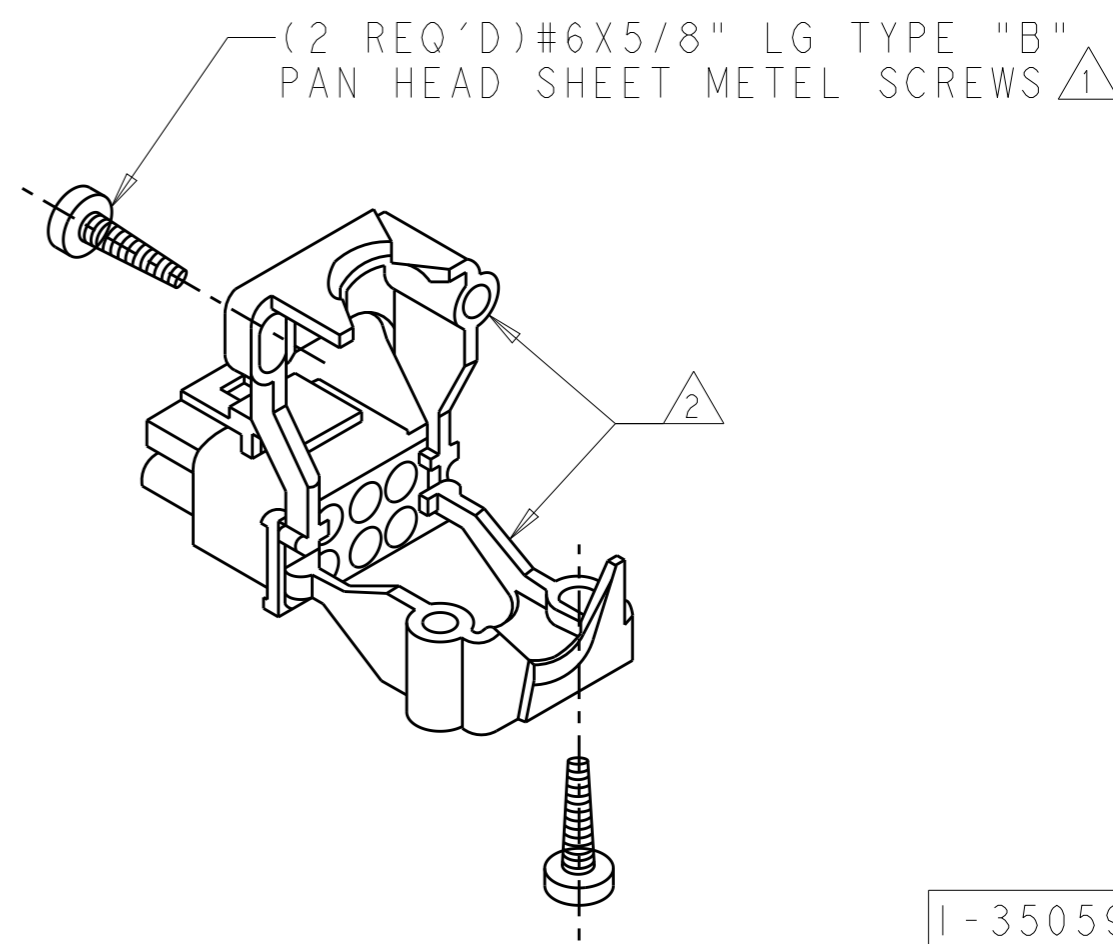
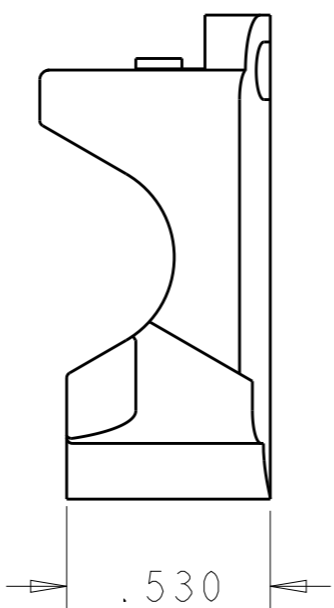
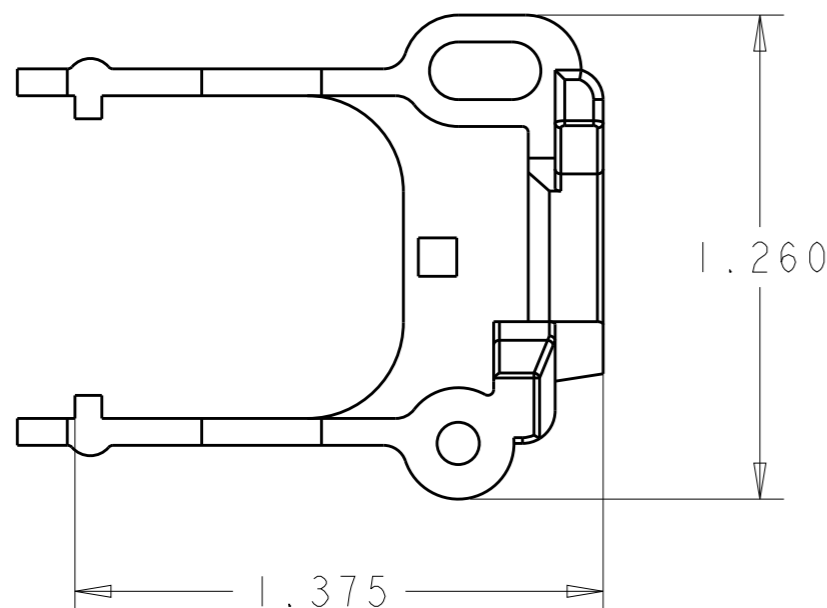


THIS DRAWING IS UNPUBLISHED. RELEASED FOR PUBLICATION 20
 © COPYRIGHT 20 BY - ALL RIGHTS RESERVED.

LOC	DIST	REVISIONS			
P	LTR	DESCRIPTION	DATE	DWN	APVD
CM	00	H	REVISED PER ECR-13-000511	11MAR2013	KH TM



- ① SHEET METAL SCREWS NOT SUPPLIED.
- ② TWO REQUIRED PER CONNECTOR.
- 3 FOR USE WITH 6, 9, 12 & 15 CIRCUIT HOUSING WITH A WIRE BUNDLE DIAMETER RANGE OF 5/16" TO 1/2"



1-350590-0
PART NO

THIS DRAWING IS A CONTROLLED DOCUMENT.		DWN KIRAN HOLAL 11MAR2013	TE Connectivity	
DIMENSIONS: INCHES		CHK THOMAS MICHIELUTTI 11MAR2013		
TOLERANCES UNLESS OTHERWISE SPECIFIED:		APVD THOMAS MICHIELUTTI 11MAR2013	NAME STRAIN RELIEF FOR UNIVERSAL MATE-N-LOCK HOUSING	
0 PLC ±- 1 PLC ±.015 2 PLC ±- 3 PLC ±- 4 PLC ±- ANGLES ±-		PRODUCT SPEC -	RESTRICTED TO -	
MATERIAL NYLON 94V-2		FINISH NATURAL	APPLICATION SPEC -	SIZE A300779
CUSTOMER DRAWING		WEIGHT -	DRAWING NO C-350590	SCALE 3:1
		SHEET 1 OF 1		REV H

单击下面可查看定价，库存，交付和生命周期等信息

[>>TE Connectivity\(泰科\)](#)