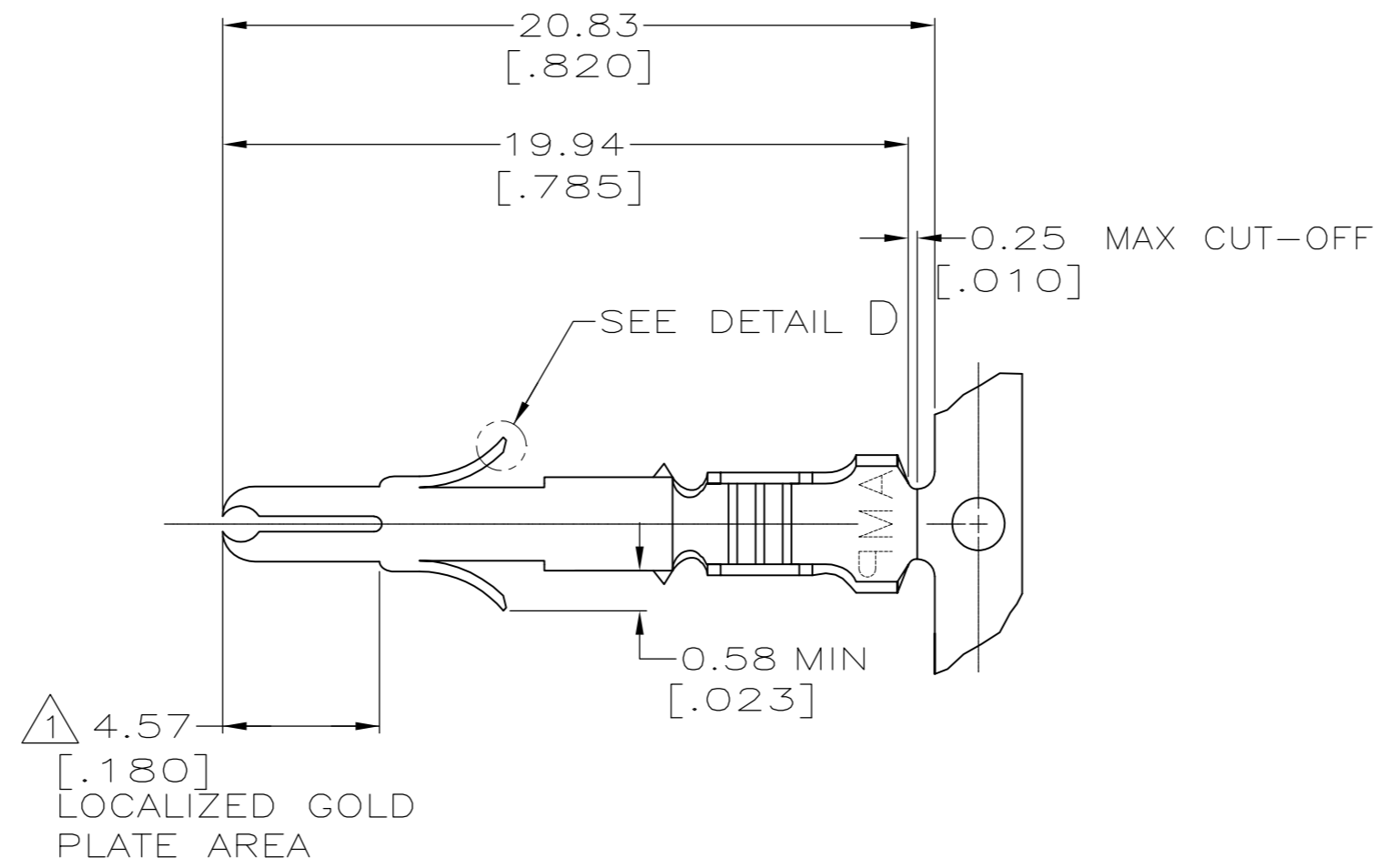
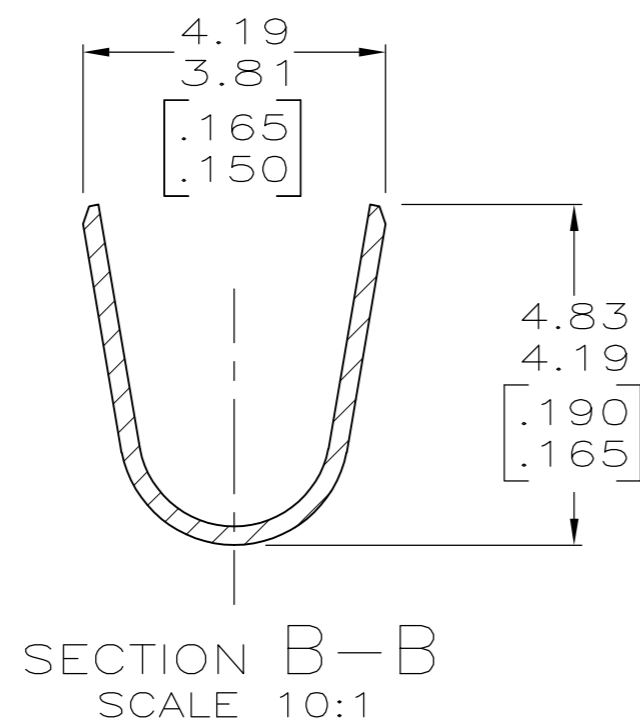
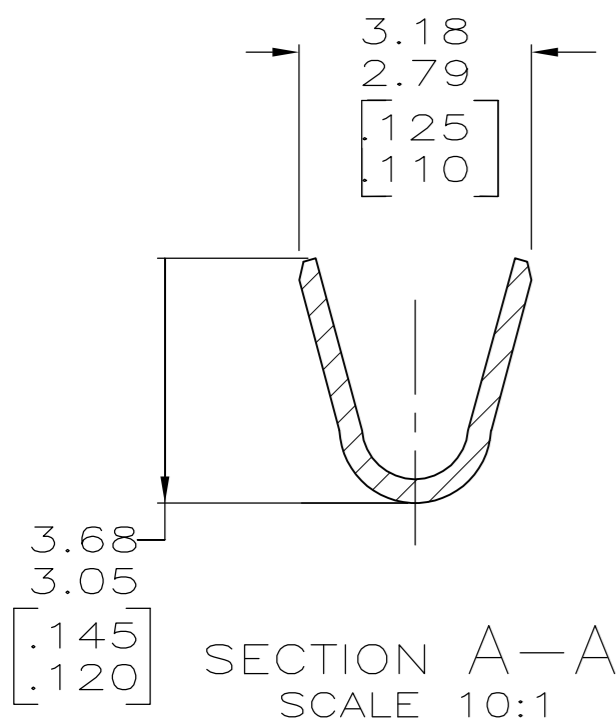
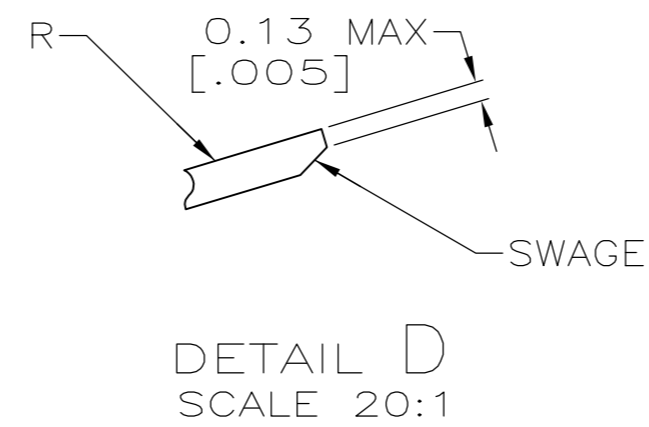
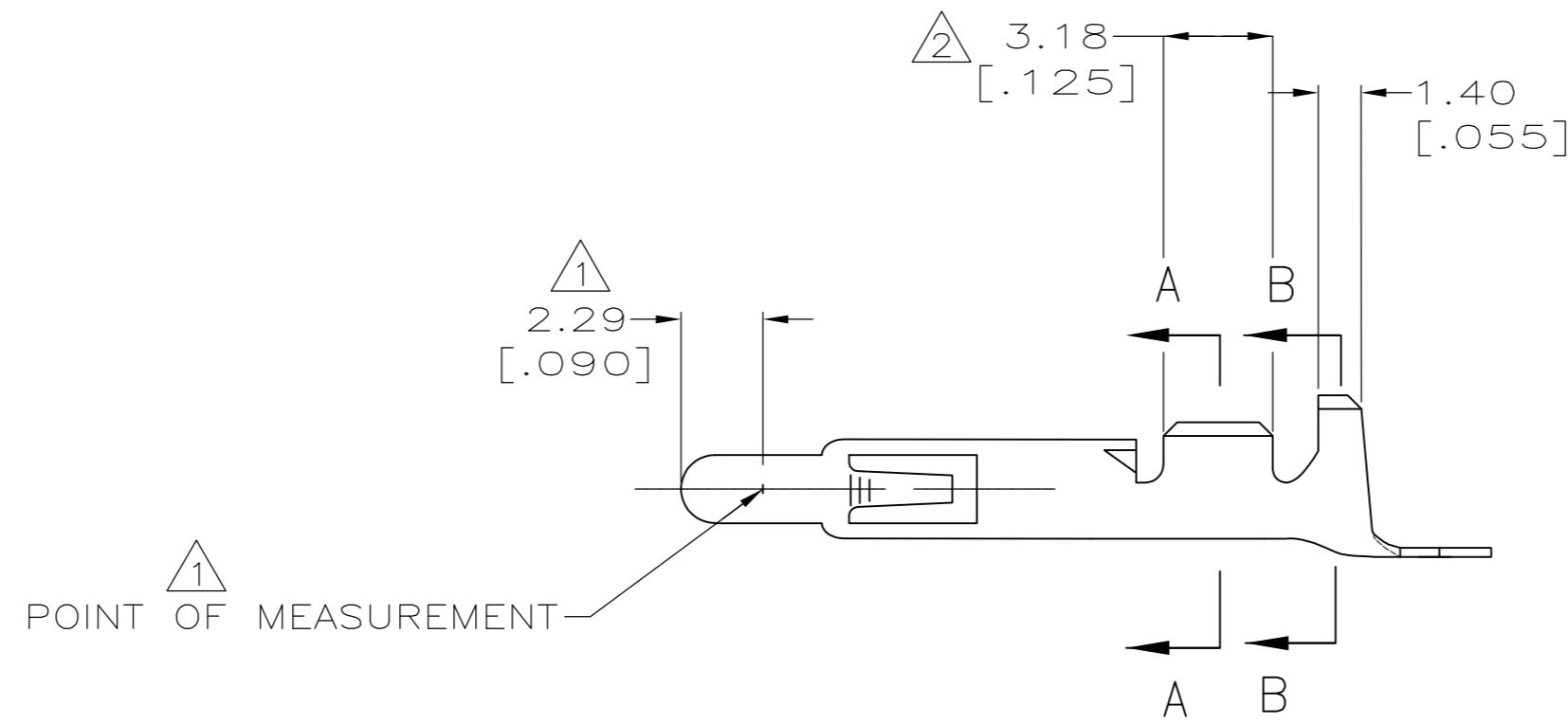
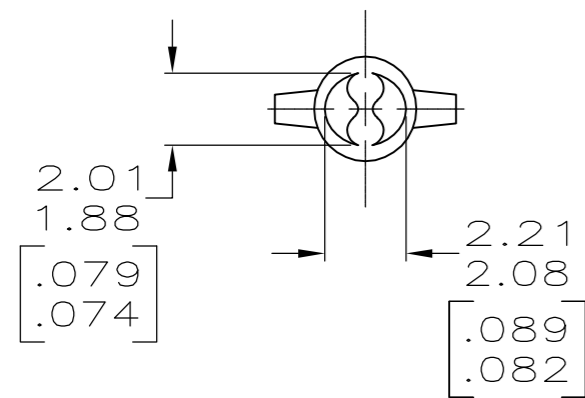


THIS DRAWING IS UNPUBLISHED. RELEASED FOR PUBLICATION
 © COPYRIGHT - By - ALL RIGHTS RESERVED.

LOC	DIST	REVISIONS					
CM	53	P	LTR	DESCRIPTION	DATE	DWN	APVD
		AA		REVISED PER ECR-16-002894	24MAR2016	BW	EW



- 1 PLATED WITH 0.00076 [.000030] GOLD, OVER 0.00127 [.000050] NICKEL UNDERPLATE.
- 2 PLATED INTERNALLY WITH 0.00076 [.000030] GOLD.
- 3 DIMENSIONS IN BRACKETS ARE IN INCHES.
- 4 PRELIMINARY, NOT FOR PRODUCTION.
- 5 INSULATION RANGE: 1.52-3.30 [.060-.130] DIA.



LOOSE PIECE (REF)	MATERIAL	FINISH	PART NUMBER
-	0.31 [.012] BE CU	PRE-TIN	350687-9
350705-7	0.31 [.012] BRASS	GOLD 1	350687-7
-	0.31 [.012] PH BRZ	GOLD 1	350687-5
350705-2	0.31 [.012] BRASS	GOLD 1/2	350687-2
350705-1	0.31 [.012] BRASS	PRE-TIN	350687-1

THIS DRAWING IS A CONTROLLED DOCUMENT.		DWN K. WHITAKER 12-MAY-2000	STE TE Connectivity	
DIMENSIONS: mm [INCHES]		CHK K. COBLE 12-MAY-2000		
TOLERANCES UNLESS OTHERWISE SPECIFIED:		APVD K. COBLE 12-MAY-2000	NAME PIN,	
0 PLC ± -	1 PLC ± -	PRODUCT SPEC	UNIVERSAL MATE-N-LOK™	
2 PLC ± 0.13 [.005]	3 PLC ± -	APPLICATION SPEC	SIZE A2	CAGE CODE 00779
4 PLC ± -	ANGLES ± 0°30'	WEIGHT	DRAWING NO C=350687	RESTRICTED TO -
WIRE RANGE 20-14 AWG	MATERIAL -	FINISH -	CUSTOMER DRAWING	SCALE 5:1 SHEET 1 of 1 REV AA

单击下面可查看定价，库存，交付和生命周期等信息

[>>TE Connectivity\(泰科\)](#)