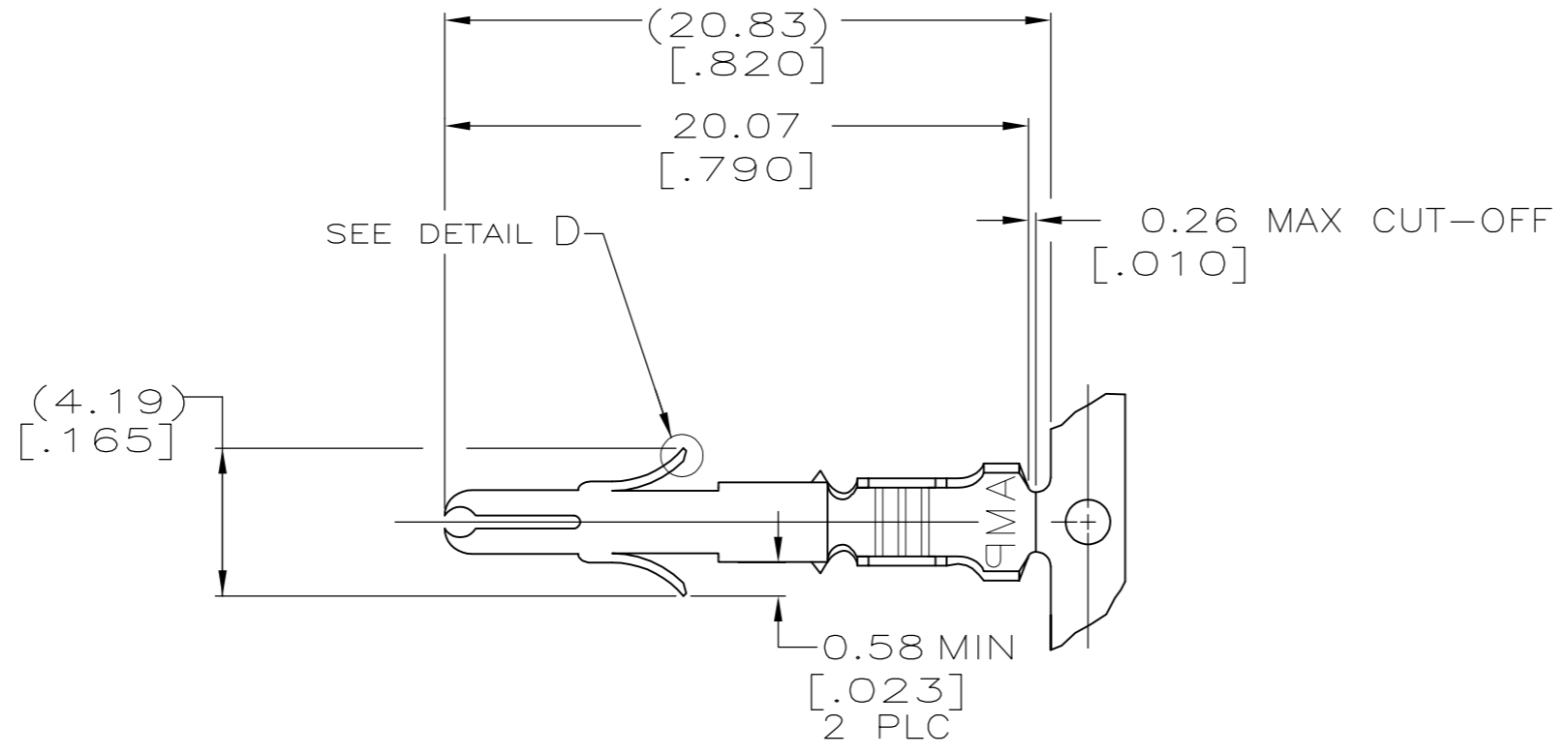
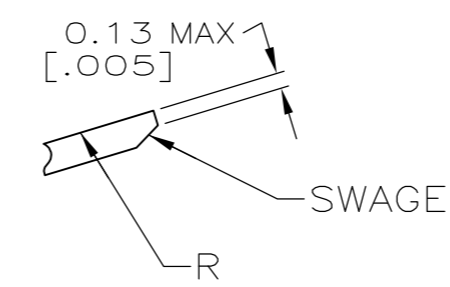
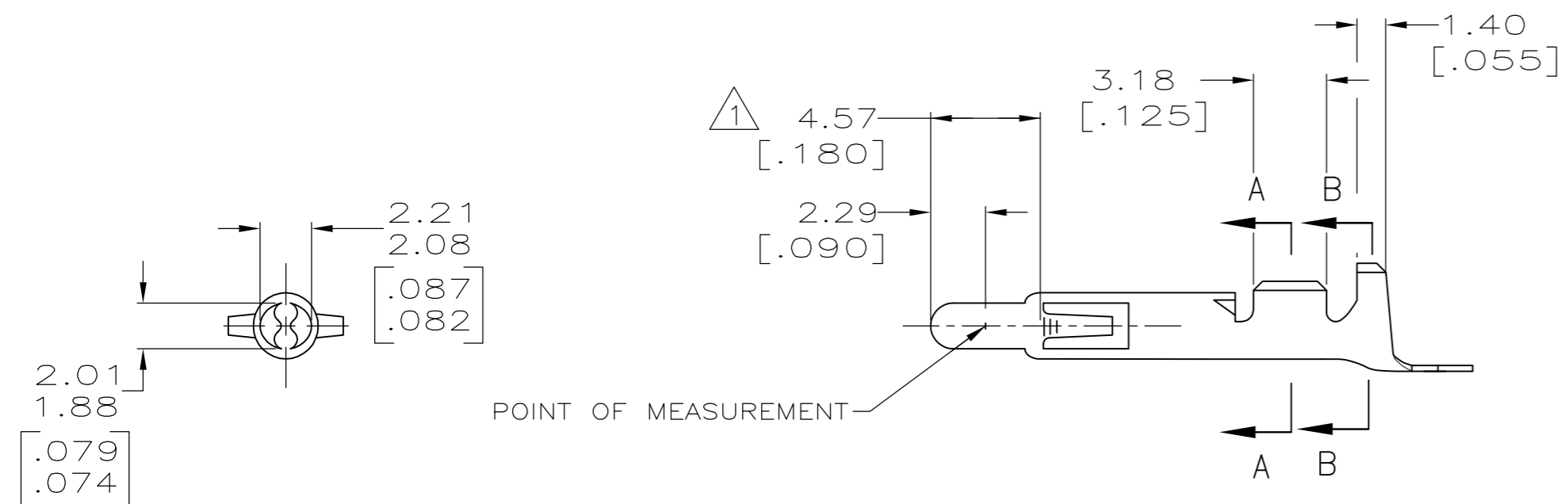


THIS DRAWING IS UNPUBLISHED. RELEASED FOR PUBLICATION
 © COPYRIGHT - By - ALL RIGHTS RESERVED.

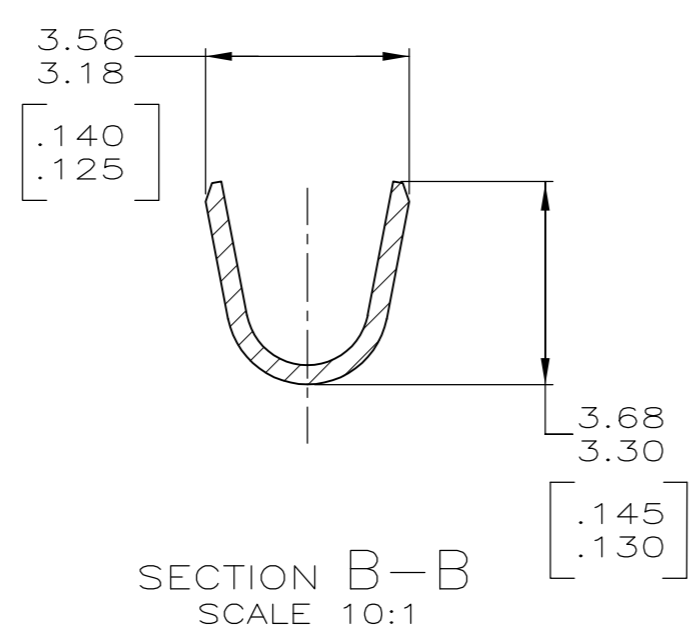
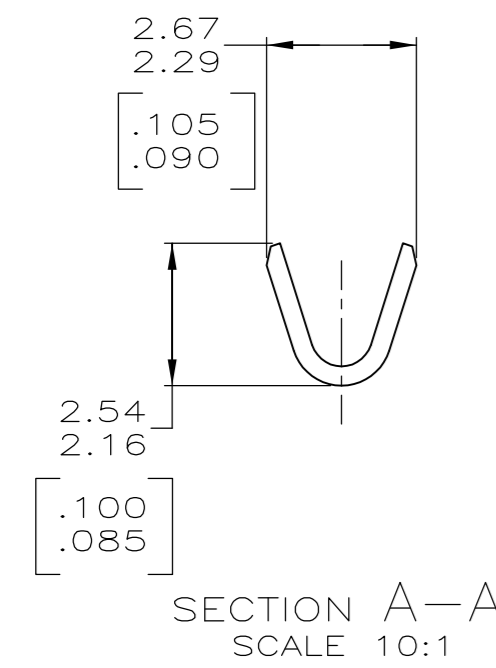
LOC	DIST	REVISIONS					
CM	00	P	LTR	DESCRIPTION	DATE	DWN	APVD
		AB		REVISED PER ECR-12-013323	09AUG12	KH	TM



- 1 PLATED WITH 0.00076 [.000030] GOLD, OVER 0.00127 [.000050] NICKEL UNDERPLATE.
- 2 PLATED INTERNALLY WITH 0.00076 [.000030] GOLD.
- 3 WIRE RANGE 0.2-0.75 mm² (24-18 AWG).
- 4 INSULATION RANGE 1.02-2.54 [.040 -.100] DIA.



DETAIL A
SCALE 20:1



350706-7	0.30[.012] BRASS	GOLD 1	350699-7
-	0.30[.012] PH BRZ	PRE-TIN	350699-3
350706-2	0.30[.012] BRASS	GOLD 1 2	350699-2
350706-1	0.30[.012] BRASS	PRE-TIN	350699-1
LOOSE PIECE (REF)	MATERIAL	FINISH	PART NUMBER

THIS DRAWING IS A CONTROLLED DOCUMENT.

DIMENSIONS: mm [INCHES]	TOLERANCES UNLESS OTHERWISE SPECIFIED: 0 PLC ± - 1 PLC ± - 2 PLC ± 0.25[.010] 3 PLC ± - 4 PLC ± - ANGLES ± -	DWN 25-FEB-2002 K. WHITAKER CHK 25-FEB-2002 S. RIDGILL APVD 25-FEB-2002 S. RIDGILL PRODUCT SPEC APPLICATION SPEC	NAME SPLIT PIN, UNIVERSAL MATE-N-LOK™
MATERIAL SEE TABLE	FINISH SEE TABLE	WEIGHT -	SIZE A2
CUSTOMER DRAWING		SCALE 4:1	SHEET 1 OF 1

TE Connectivity

00779 C=350699

RESTRICTED TO
REV AB

单击下面可查看定价，库存，交付和生命周期等信息

[>>TE Connectivity\(泰科\)](#)