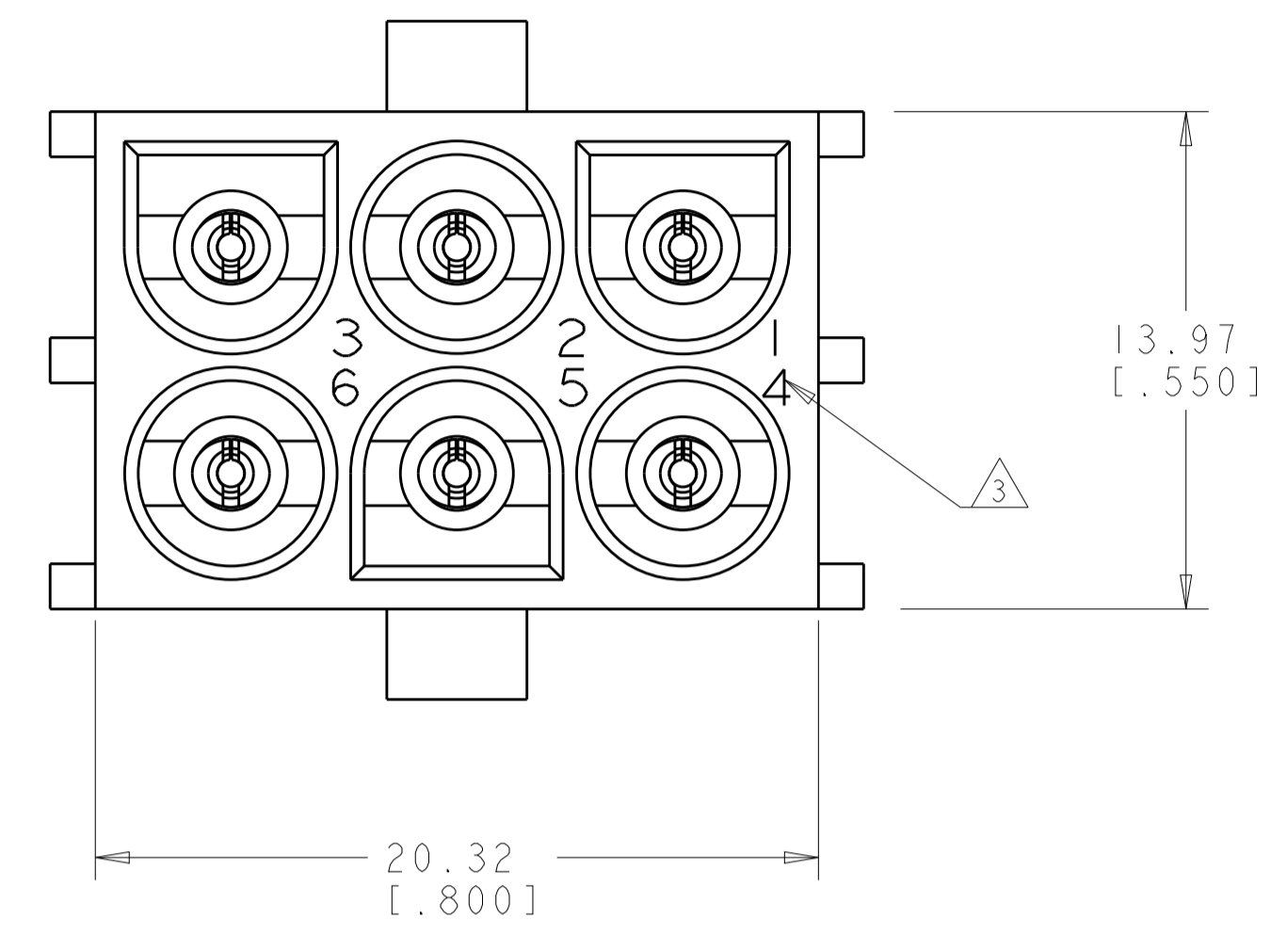
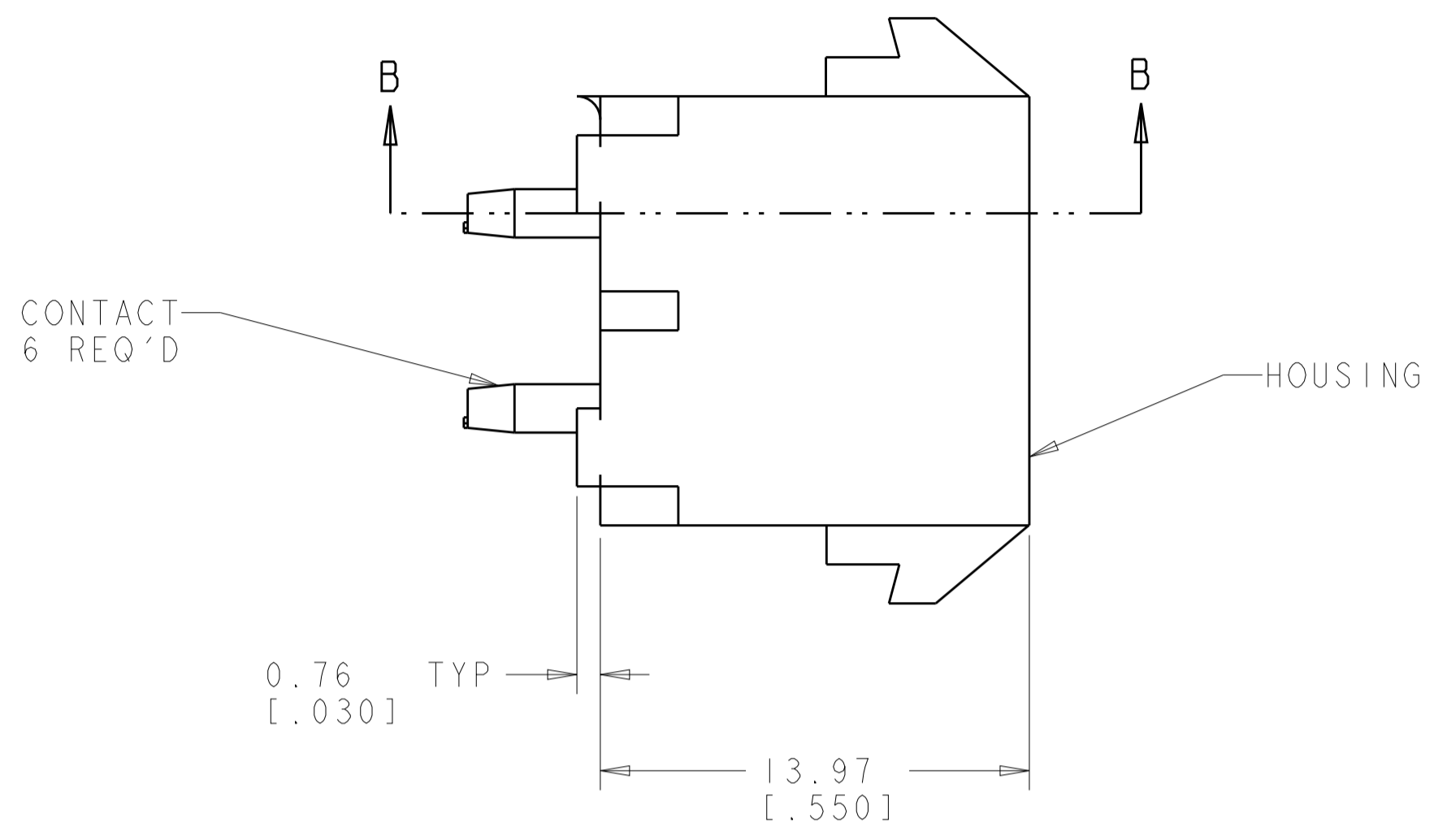
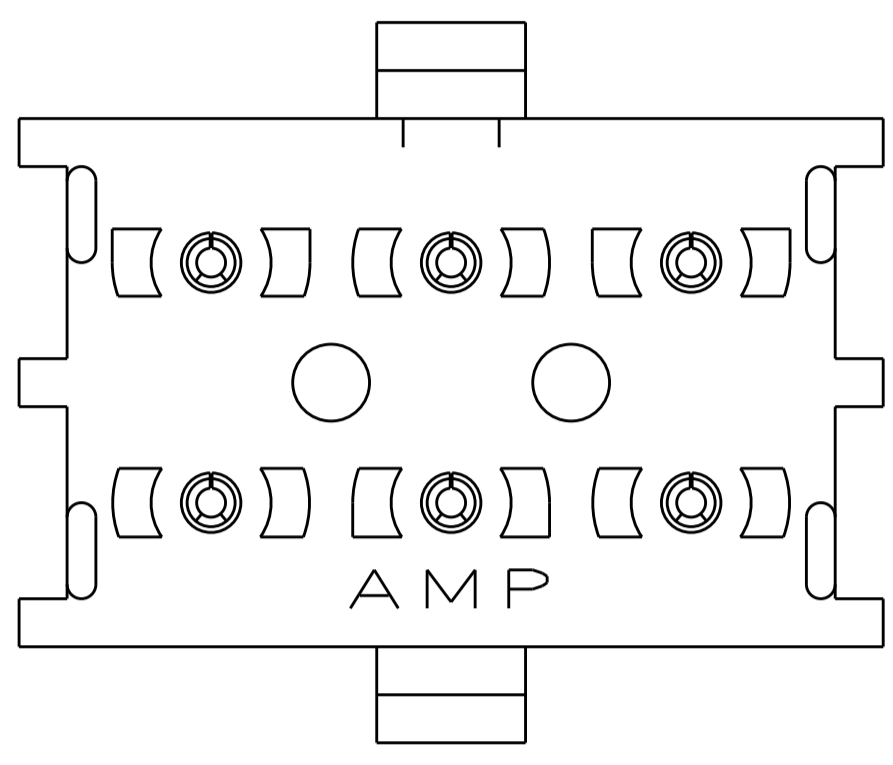
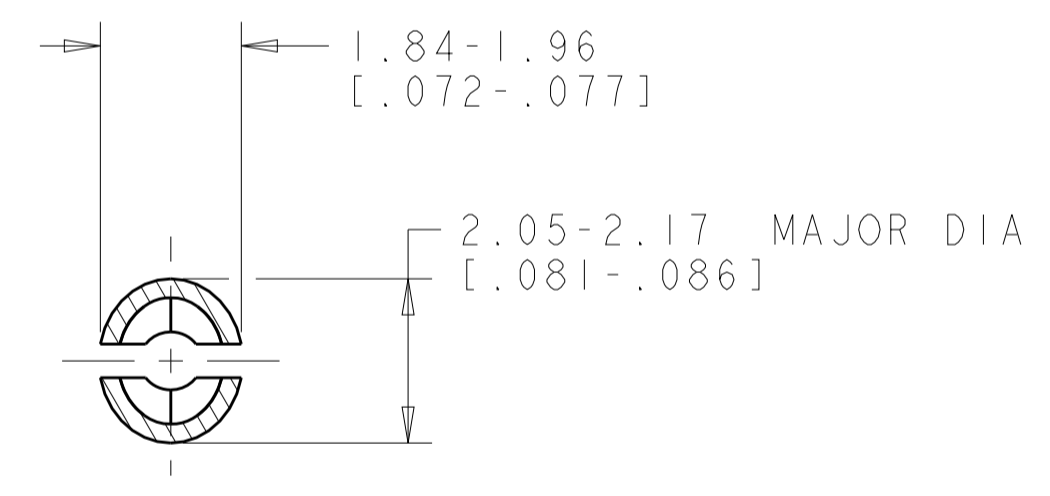
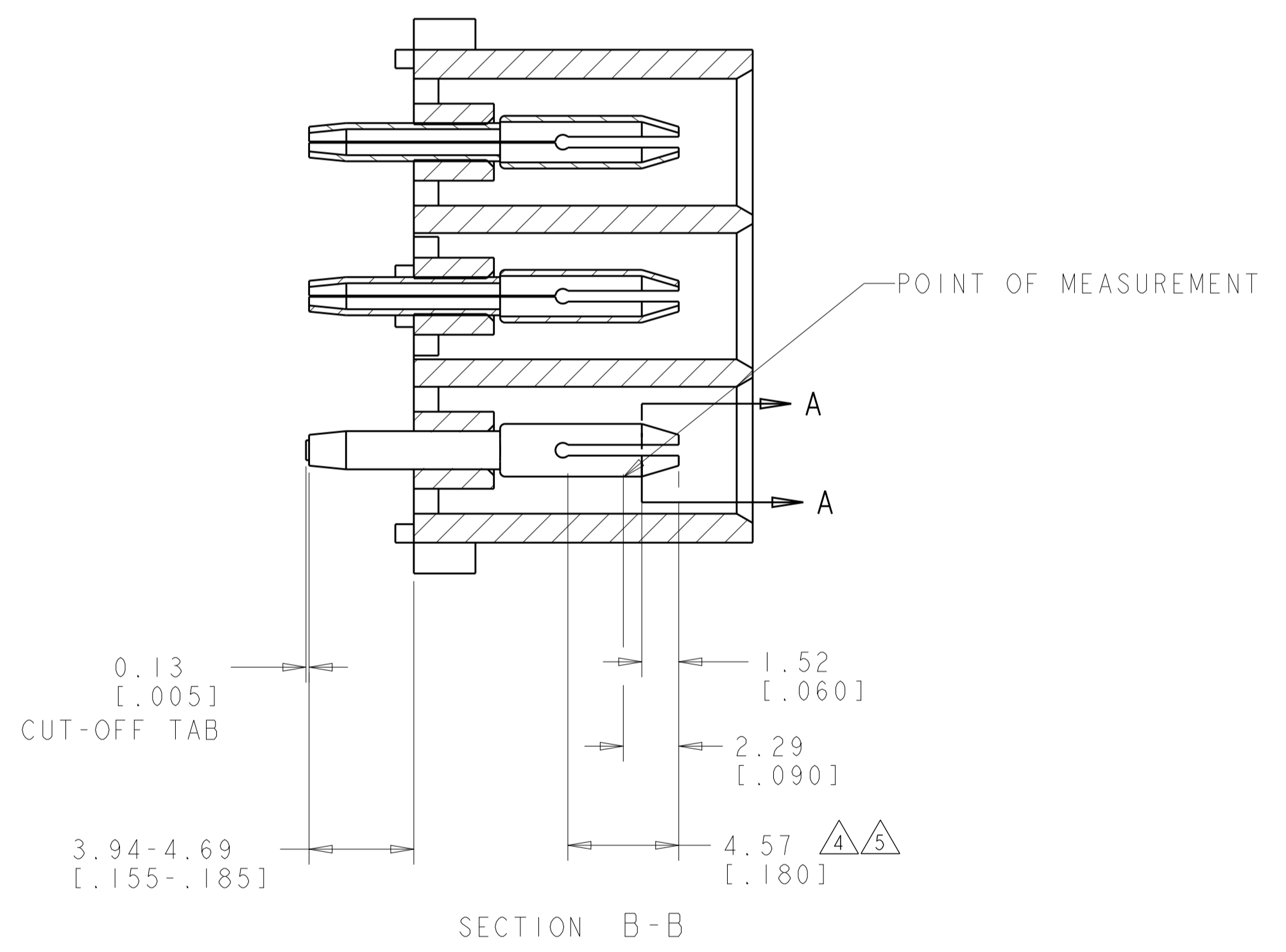


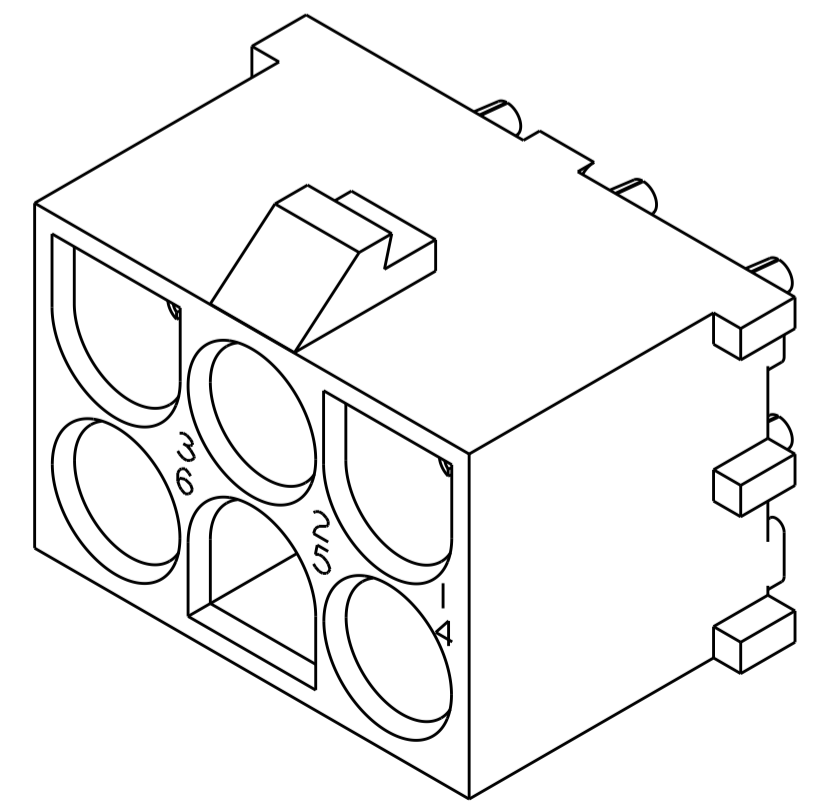
LOC	DIST	REVISIONS					
		P	LTN	DESCRIPTION	DATE	DWN	APVD
CM	00	R4		REVISED PER ECR-12-011660	24JAN2013	KH	TM



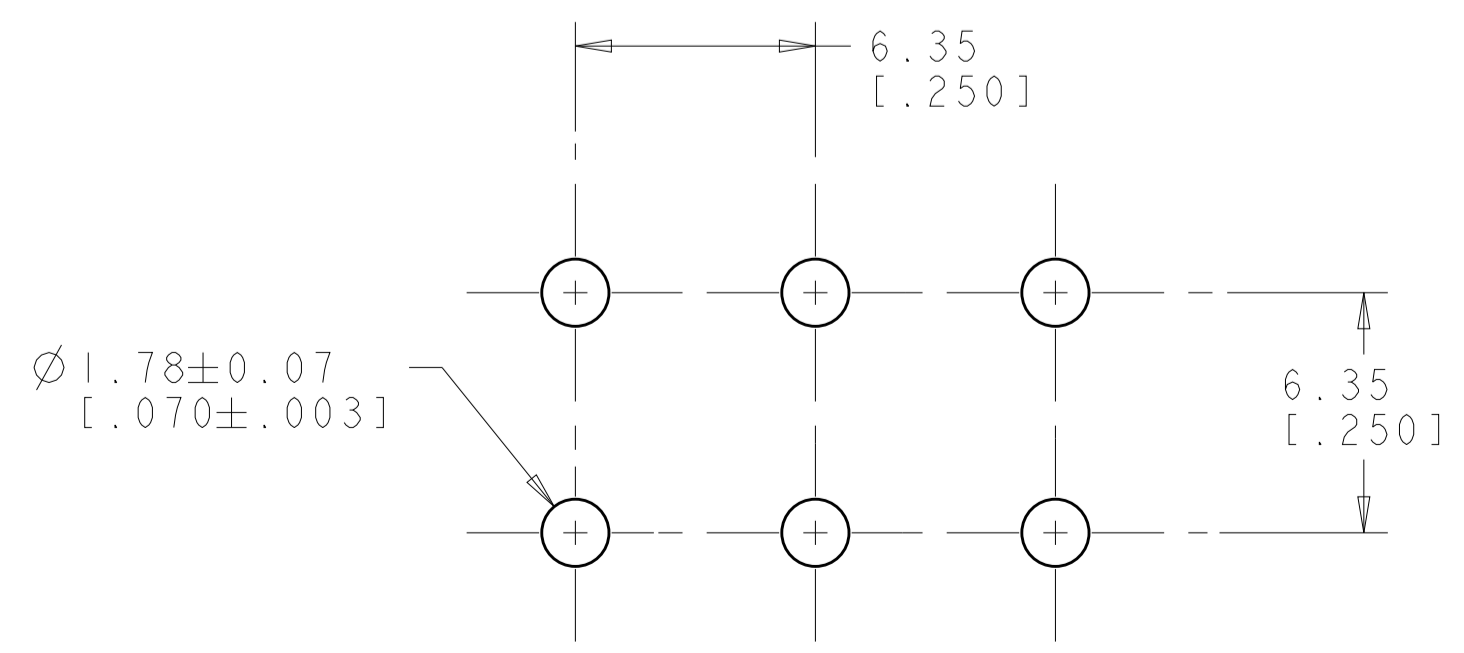
- PARTS MATE WITH HOUSING 480704.
- PARTS COMPLY TO AMP SOLDERABILITY SPECIFICATION 109-11-3.
- CIRCUIT IDENTIFICATION CHARACTERS ARE ADJACENT TO THE INDICATED CAVITIES, BUT LOCATION AND ORIENTATION MAY DIFFER FROM PRINT.
- CONTACT IS PLATED OVERALL WITH 0.00127 [.000050] NICKEL, THEN 0.00076 [.000030] GOLD OVER CONTACT LENGTH INDICATED AND TIN LEAD ON SOLDER TAIL END.
- CONTACT IS PLATED OVERALL WITH 0.00127 [.000050] NICKEL, THEN 0.00076 [.000030] GOLD OVER CONTACT LENGTH INDICATED AND MATTE TIN ON SOLDER TAIL END.
- DIMENSIONS IN BRACKETS ARE IN INCHES.
- SUPERSEDED BY 350711-4



SECTION A-A
SCALE 10:1

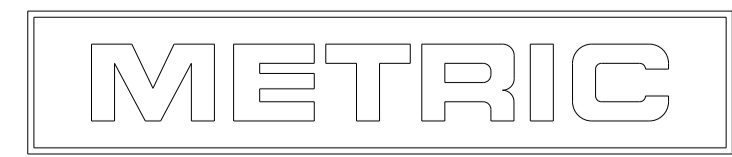


3 DIMENSIONAL MODEL
SCALE 4:1



RECOMMENDED MOUNTING HOLE PATTERN
FOR 1.57 [.062] THICK P.C. BOARD

PHOSPOR BRONZE, GOLD $\triangle 5$	NYLON, UL94V-0, NATURAL	350711-4
$\triangle 4$ PHOSPOR BRONZE, GOLD $\triangle 4$	NYLON, UL94V-0, NATURAL	350711-2
PHOSPOR BRONZE, PRE-TIN	NYLON, UL94V-0, NATURAL	350711-1
PIN CONTACT MATERIAL AND FINISH	HOUSING MATERIAL AND COLOR	PART NUMBER



THIS DRAWING IS A CONTROLLED DOCUMENT.

DIMENSIONS: mm [INCHES]	TOLERANCES UNLESS OTHERWISE SPECIFIED:	DWN K. WHITAKER 18JULY2005	CHK S. RIDGILL 18JULY2005	APVD S. RIDGILL 18JULY2005	NAME PIN HEADER ASSEMBLY, 6 CIRCUIT, UNIVERSAL MATE-N-LOK(TM)
MATERIAL SEE TABLE	FINISH SEE TABLE	PRODUCT SPEC	APPLICATION SPEC	SIZE A100779	CAGE CODE C=350711
CUSTOMER DRAWING		SCALE 1:1	SHEET 1 OF 1	REV R4	RESTRICTED TO

STE TE Connectivity

单击下面可查看定价，库存，交付和生命周期等信息

[>>TE Connectivity\(泰科\)](#)