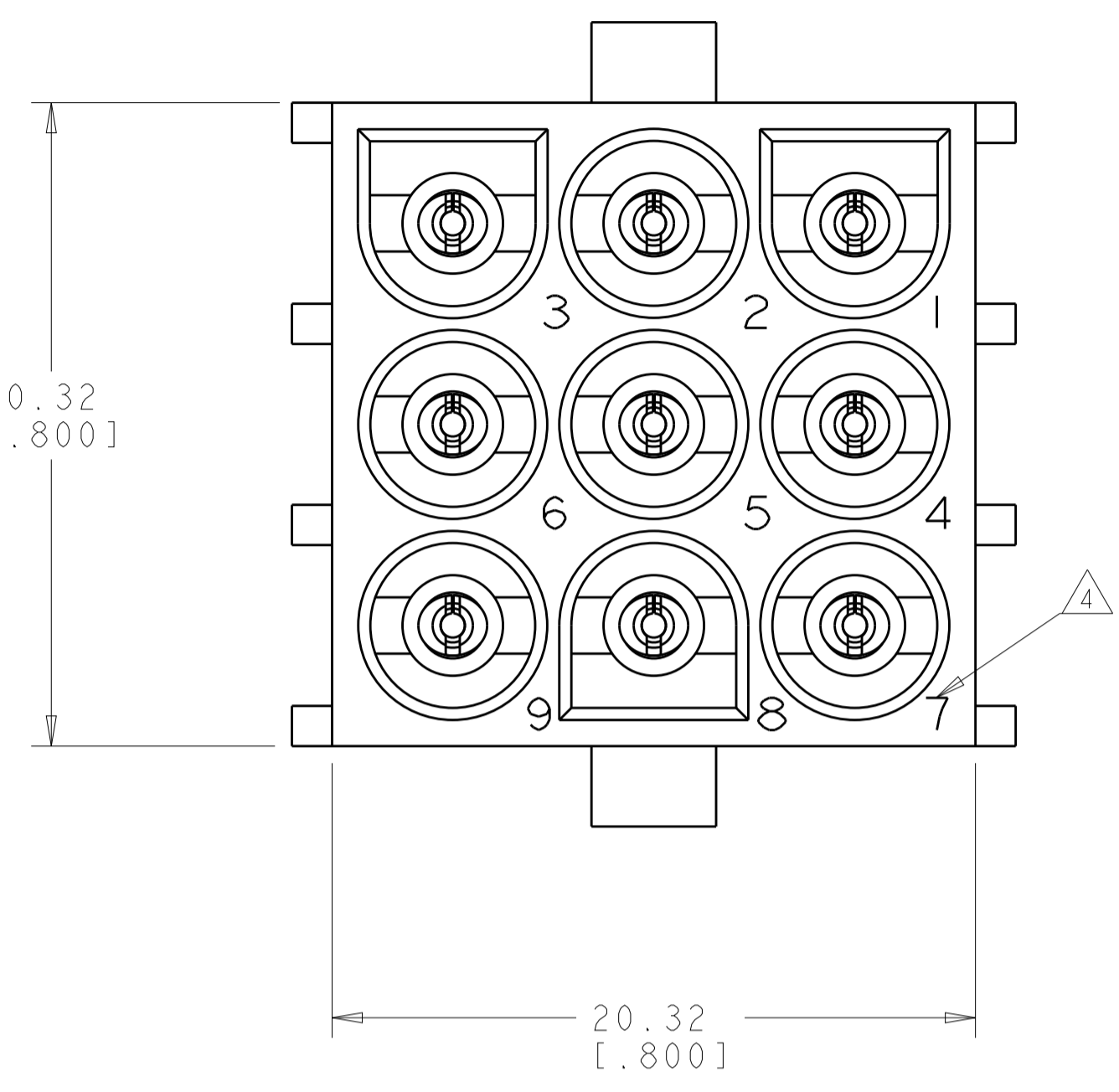
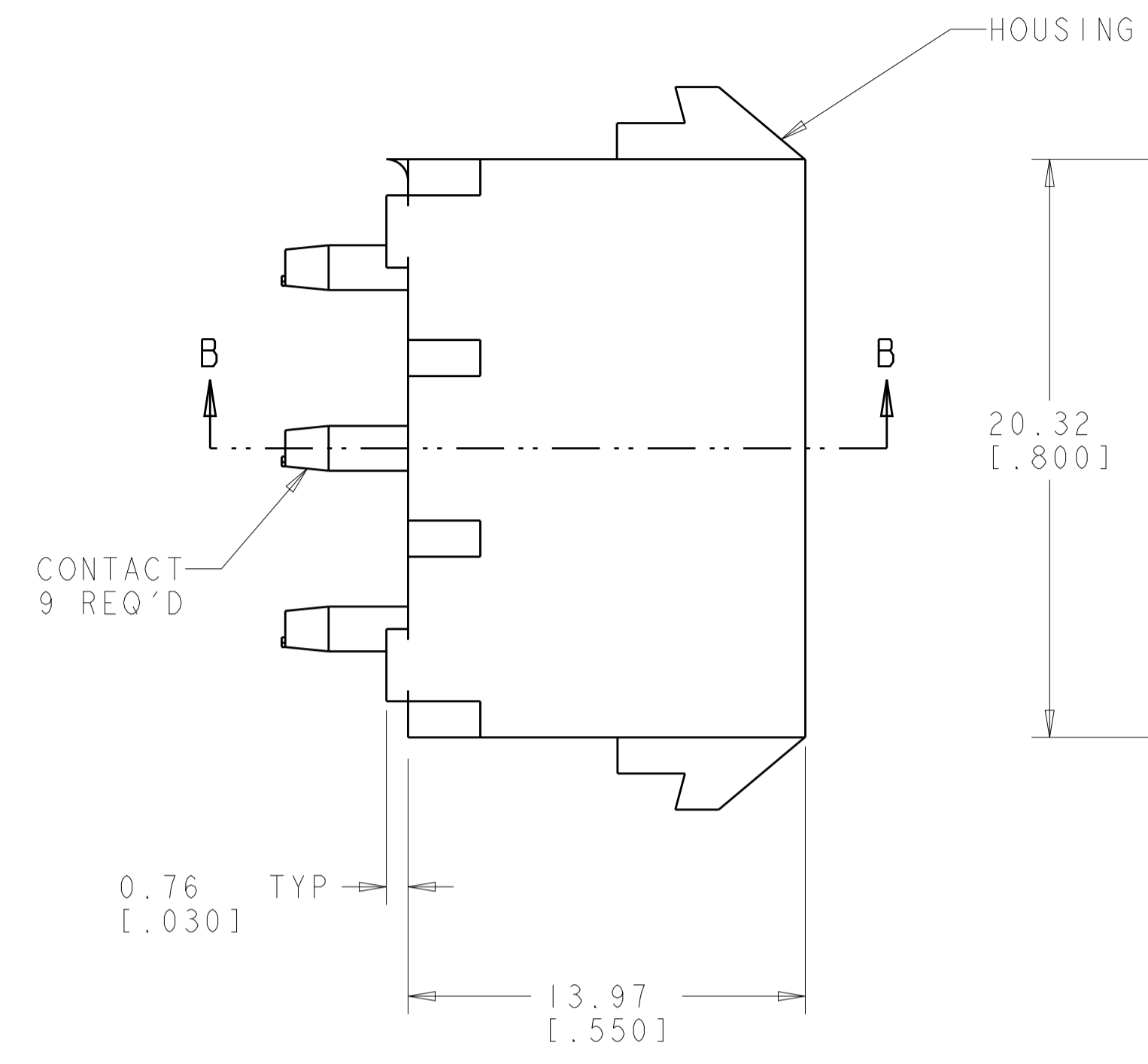
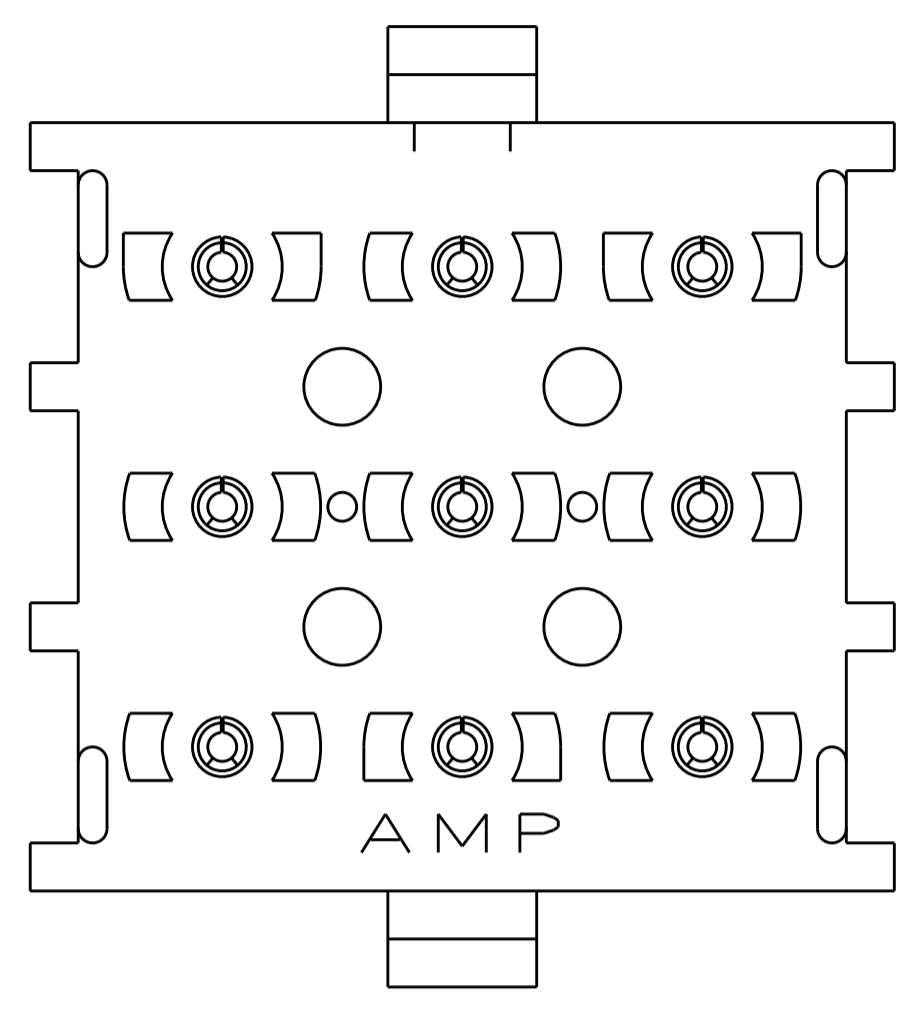
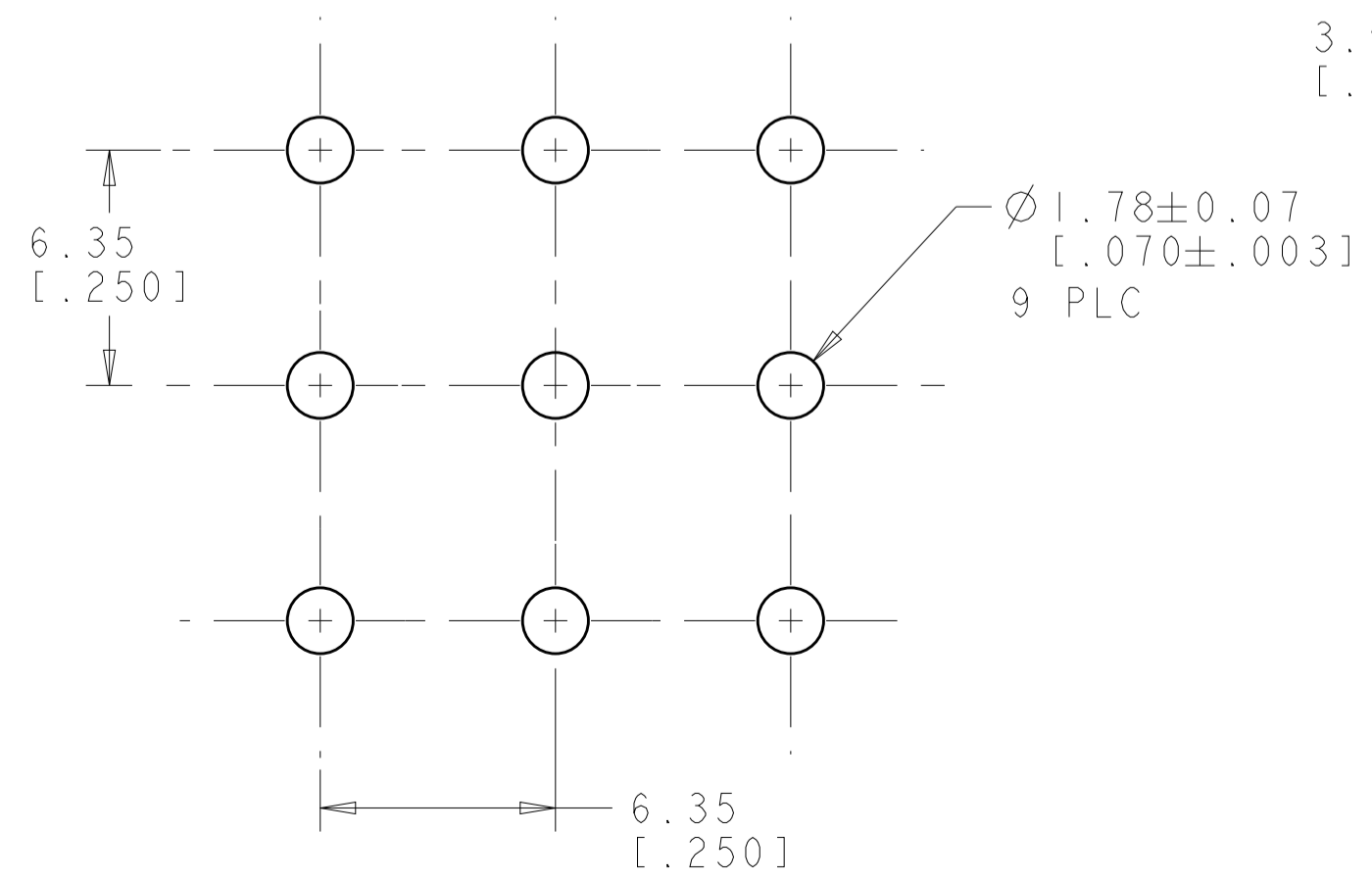
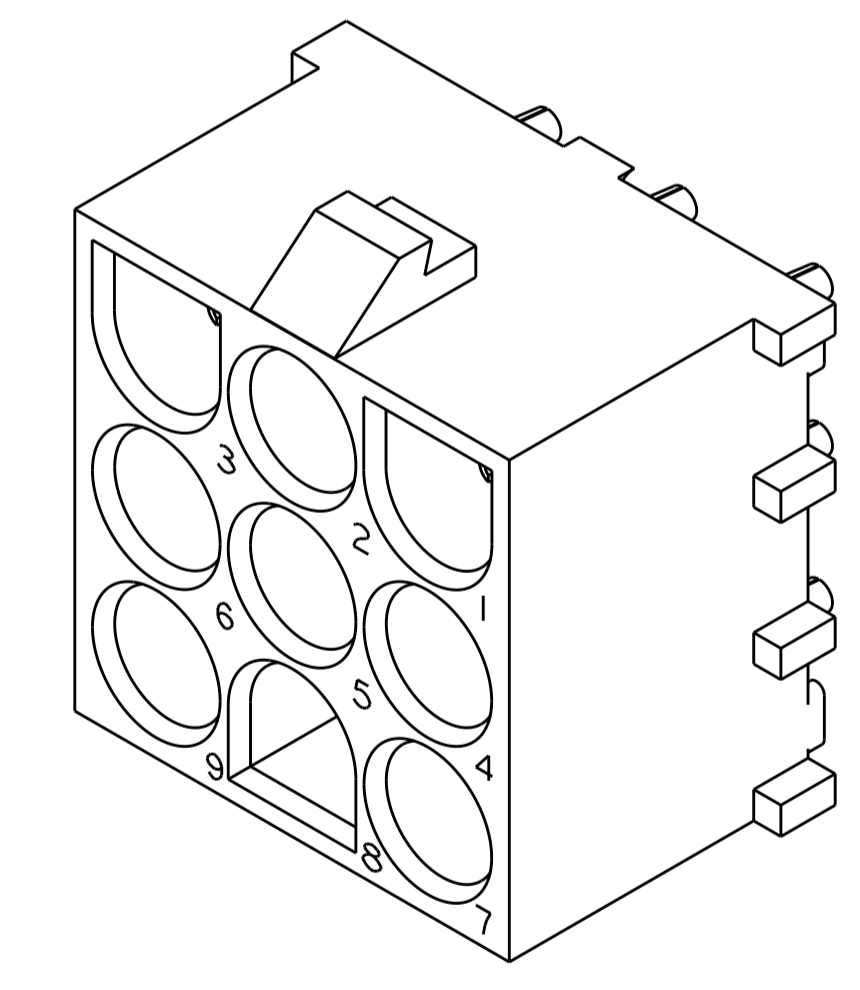
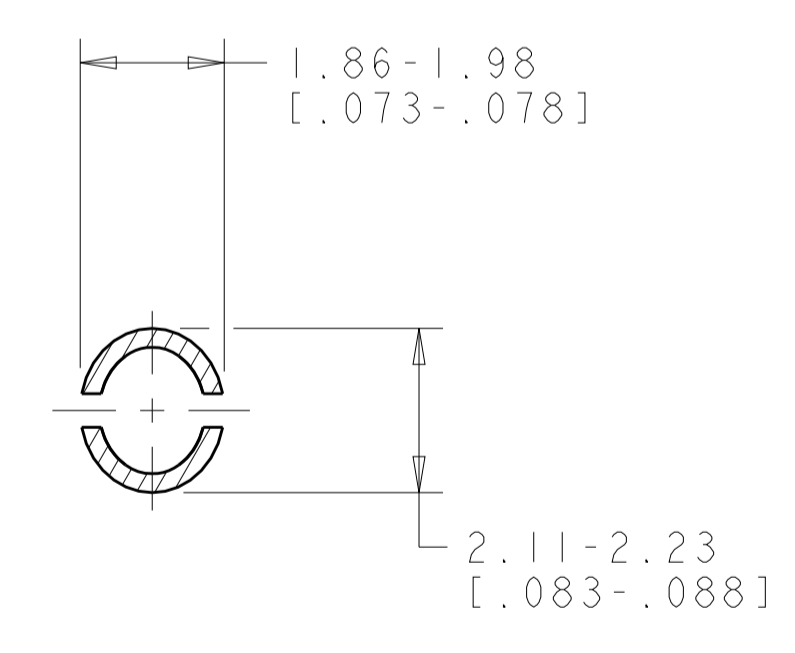
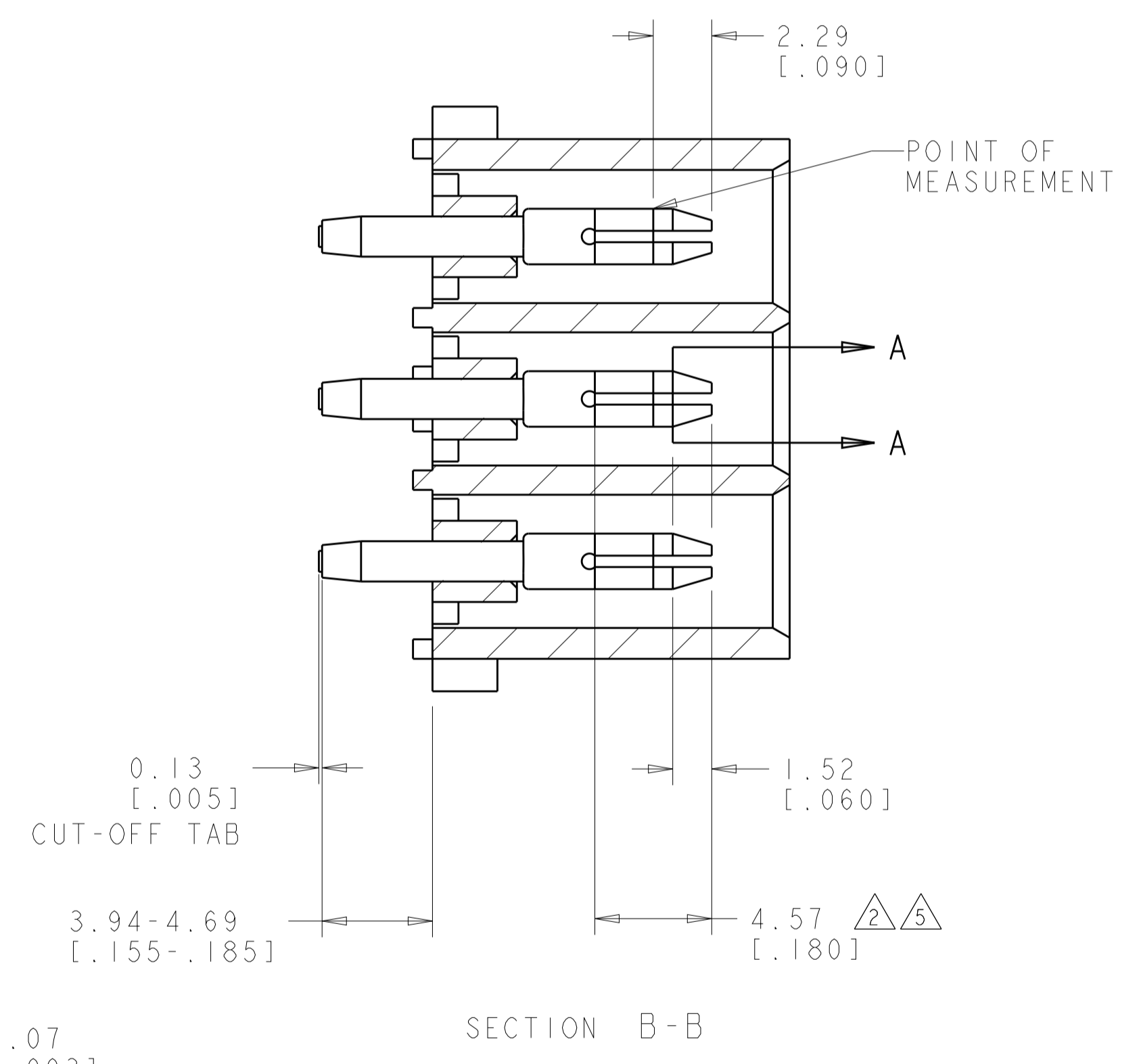


LOC		DIST		REVISIONS			
CM	00	P	LTN	DESCRIPTION	DATE	DWN	APVD
		R2		REVISED PER ECR-12-011660	24JAN2013	KH	TM

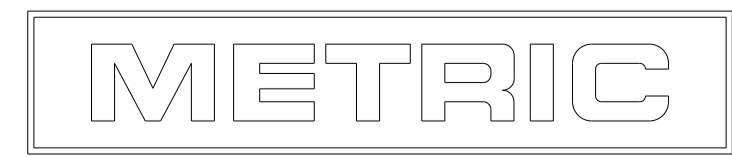


1. PARTS COMPLY TO AMP SOLDERABILITY SPECIFICATION 109-11-3.
2. CONTACT IS PLATED OVERALL WITH 0.00127 [.000050] NICKEL, THEN 0.00076 [.000030] GOLD OVER CONTACT LENGTH INDICATED AND TIN LEAD ON SOLDER TAIL END.
3. MATES WITH HOUSING 350720.
4. CIRCUIT IDENTIFICATION CHARACTERS ARE ADJACENT TO THE INDICATED CAVITIES, BUT LOCATION AND ORIENTATION MAY DIFFER FROM PRINT.
5. CONTACT IS PLATED OVERALL WITH 0.00127 [.000050] NICKEL, THEN 0.00076 [.000030] GOLD OVER CONTACT LENGTH INDICATED AND MATTE TIN ON SOLDER TAIL END.
6. DIMENSIONS IN BRACKETS ARE IN INCHES.
7. SUPERSEDED BY 350712-4



RECOMMENDED MOUNTING HOLE PATTERN FOR 1.57 [.062] THICK P.C. BOARD

PHOSPOR BRONZE, GOLD 5	NYLON, UL94V-0, NATURAL	350712-4
7 PHOSPOR BRONZE, GOLD 2	NYLON, UL94V-0, NATURAL	350712-2
PHOSPOR BRONZE, PRE-TIN	NYLON, UL94V-0, NATURAL	350712-1
PIN CONTACT MATERIAL AND FINISH	HOUSING MATERIAL AND COLOR	PART NUMBER



THIS DRAWING IS A CONTROLLED DOCUMENT.		DWN R. WHITAKER 25JULY2005	TE Connectivity
DIMENSIONS: mm [INCHES]		CHK S. RIDGILL 25JULY2005	
TOLERANCES UNLESS OTHERWISE SPECIFIED:		APVD S. RIDGILL 25JULY2005	NAME PIN HEADER ASSEMBLY, 9 CIRCUIT, UNIVERSAL MATE-N-LOK(TM)
0 PLC ±	1 PLC ±	PRODUCT SPEC	APPLICATION SPEC
2 PLC ±0.13(.005)	3 PLC ±	APPLIC. SPEC	SIZE
4 PLC ±	ANGLES 40°/30°	FINISH	SCALE
MATERIAL SEE TABLE	FINISH SEE TABLE	WEIGHT	SHEET 1 OF 1
CUSTOMER DRAWING		SCALE 1:1	REV R2

单击下面可查看定价，库存，交付和生命周期等信息

[>>TE Connectivity\(泰科\)](#)