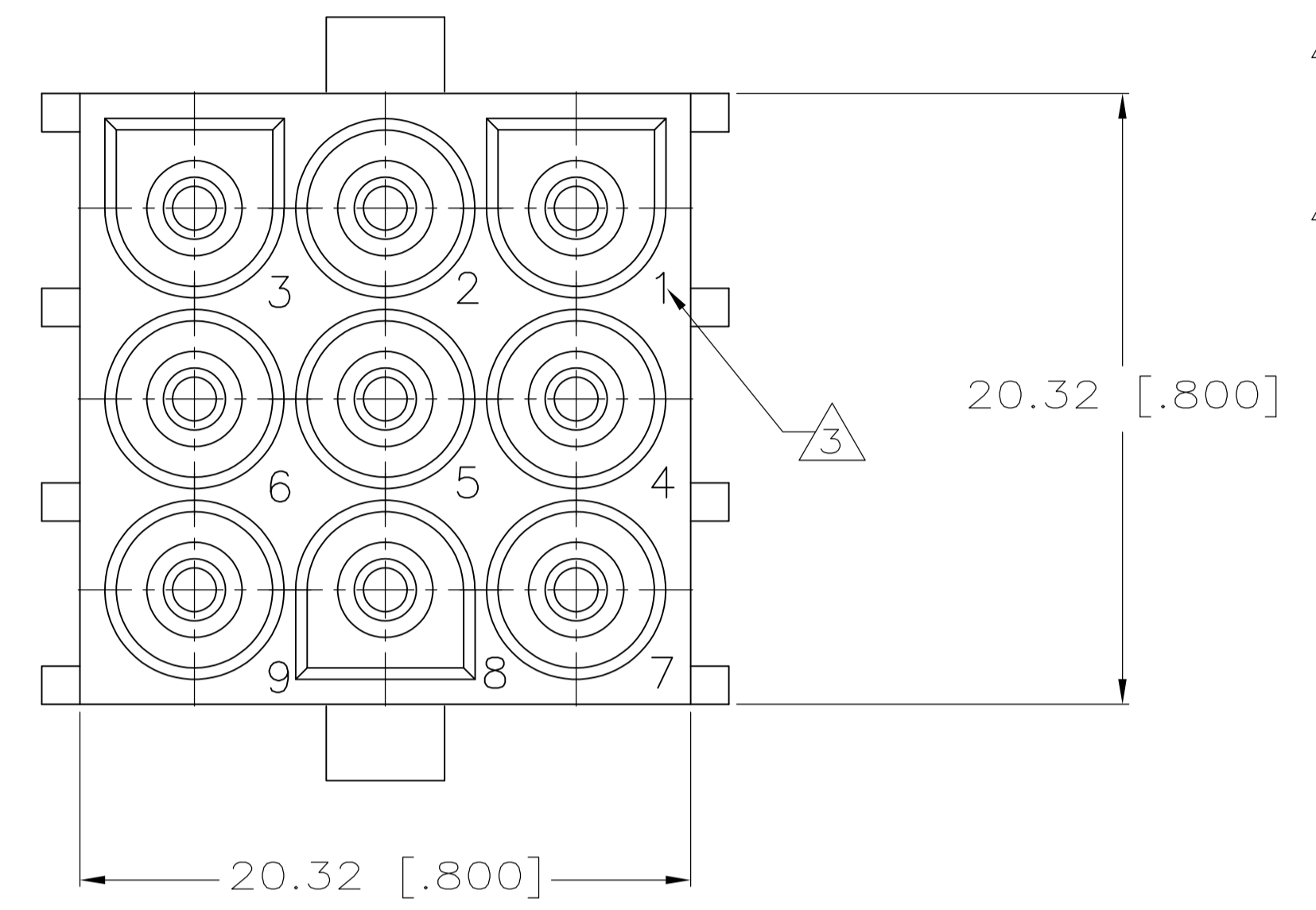
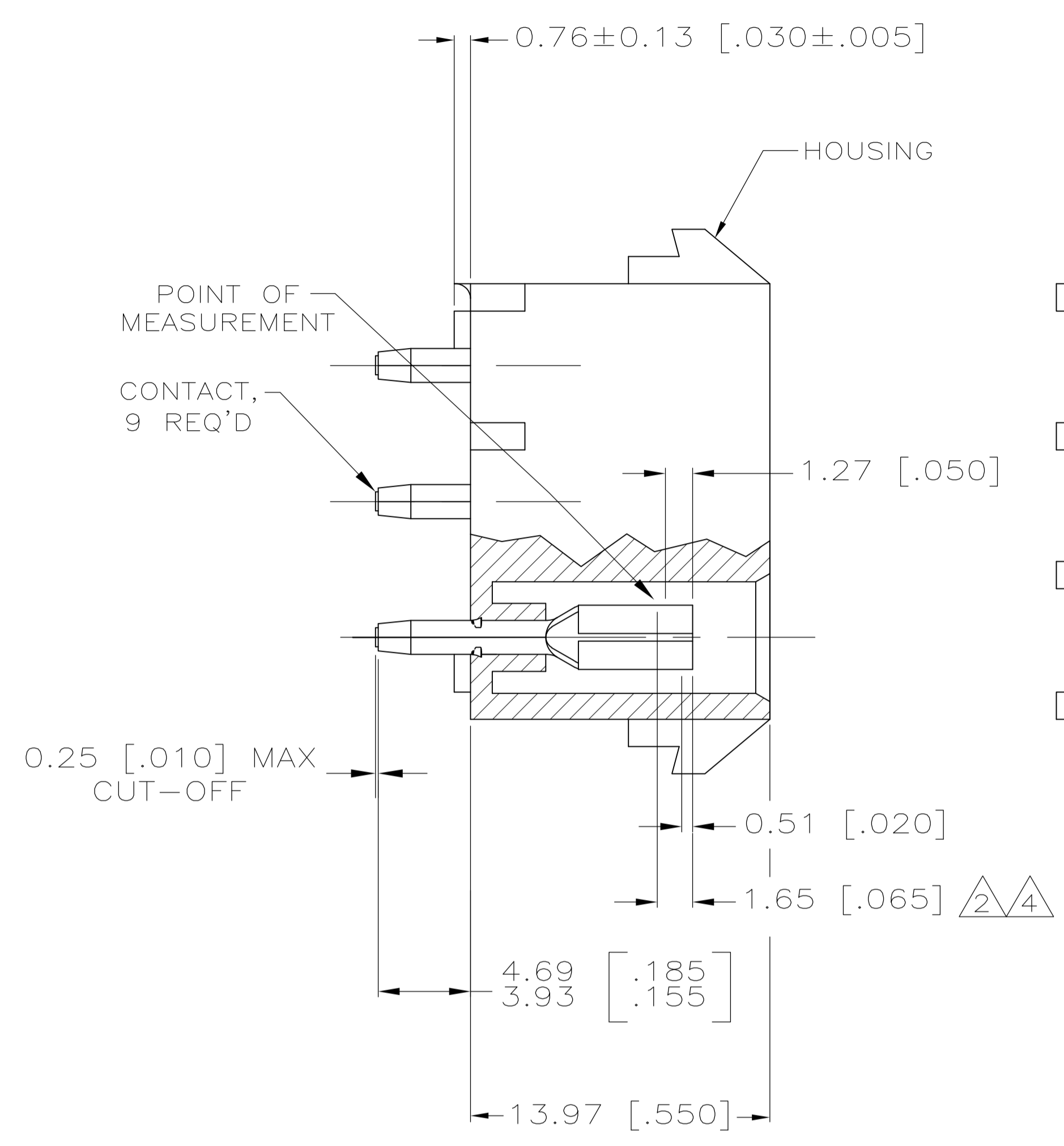
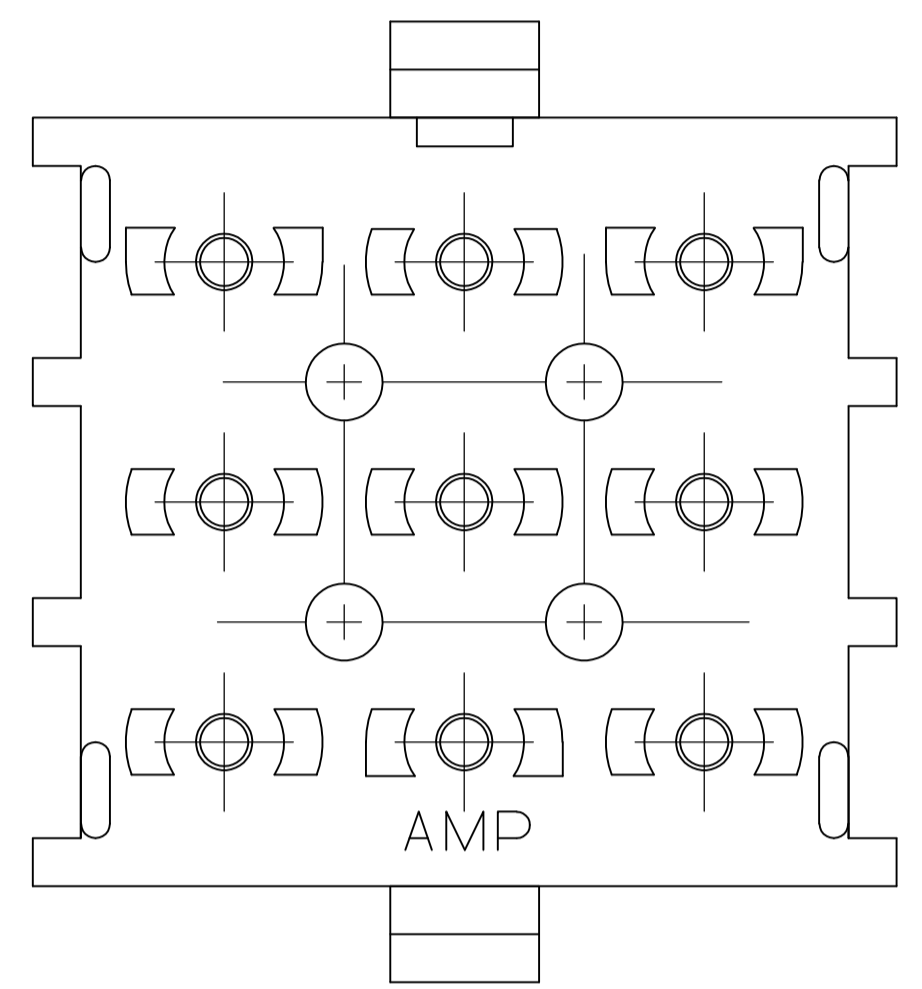
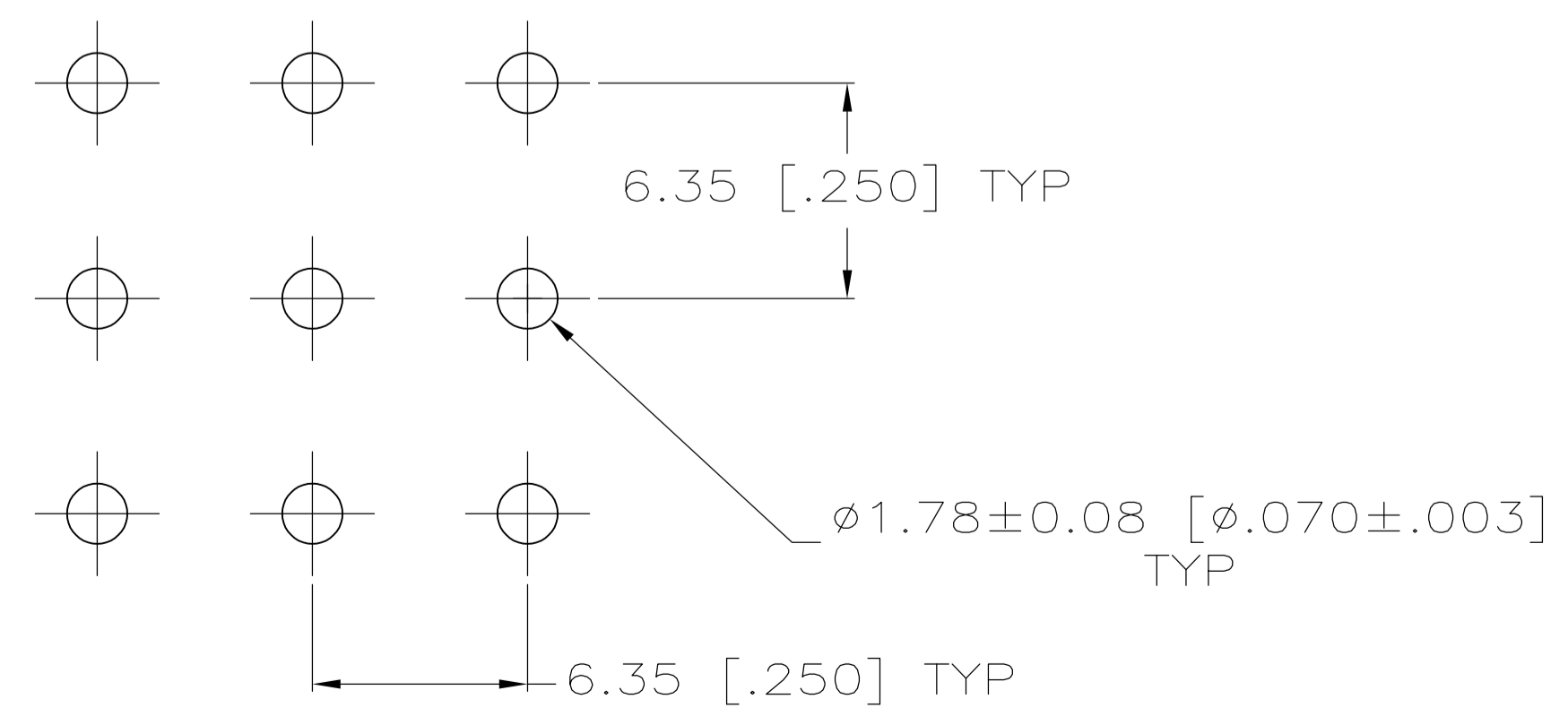


LOC	DIST	REVISIONS				
CM	00	REV	DESCRIPTION	DATE	BY	APPV
		L1	REVISED PER ECR-12-011660	24JAN13	KH	TM



- 1 PARTS COMPLY TO AMP SOLDERABILITY SPECIFICATION 109-11-3.
- $\Delta 2$ CONTACT IS STAMPED FROM PRE-PLATED STOCK WHICH IS PLATED OVERALL WITH 0.00127 [.000050] NICKEL, THEN STRIPED WITH 0.00076 [.000030] GOLD IN CONTACT AREA INDICATED AND TIN-LEAD ON SOLDER TAIL END.
- $\Delta 3$ CIRCUIT IDENTIFICATION CHARACTERS ARE ADJACENT TO THE INDICATED CAVITIES, BUT LOCATION AND ORIENTATION MAY DIFFER FROM PRINT.
- $\Delta 4$ CONTACT IS PLATED OVERALL WITH 0.00127 [.000050] NICKEL, THEN 0.00076 [.000030] GOLD OVER CONTACT LENGTH INDICATED AND MATTE TIN ON SOLDER TAIL END.
- $\Delta 5$ SUPERSEDED BY 350763-5



RECOMMENDED LAYOUT FOR 1.58 [.062] THICK PC BOARD

$\Delta 4$	PH BRZ GOLD	NYLON, NATURAL	350763-5
	PH BRZ TIN	NYLON, NATURAL	350763-4
$\Delta 5$	PH BRZ GOLD	NYLON, NATURAL	350763-3
	CONTACT	HOUSING	PART NO

DIMENSIONS:		TOLERANCES UNLESS OTHERWISE SPECIFIED:		APPROVED:		NAME:	
mm	[INCHES]	0. PLC	±	CHK	11OCT2005	K. WHITAKER	
		1. PLC	±	CHK	11OCT2005	S. RIDGILL	
		2. PLC	±	CHK	11OCT2005	S. RIDGILL	
		3. PLC	± 0.13 [.005]	APPROVED:	11OCT2005	S. RIDGILL	
		4. PLC	±	PRODUCT SPEC			
		ANGLES	±	APPLICATION SPEC			
MATERIAL	SEE TABLE	FINISH	SEE TABLE	WEIGHT		SIZE	CAGE CODE
						A1	00779
						SCALE	5:1
						SHEET	1 OF 1
						REV	L1

单击下面可查看定价，库存，交付和生命周期等信息

[>>TE Connectivity\(泰科\)](#)