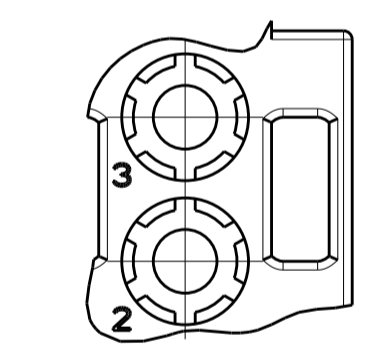
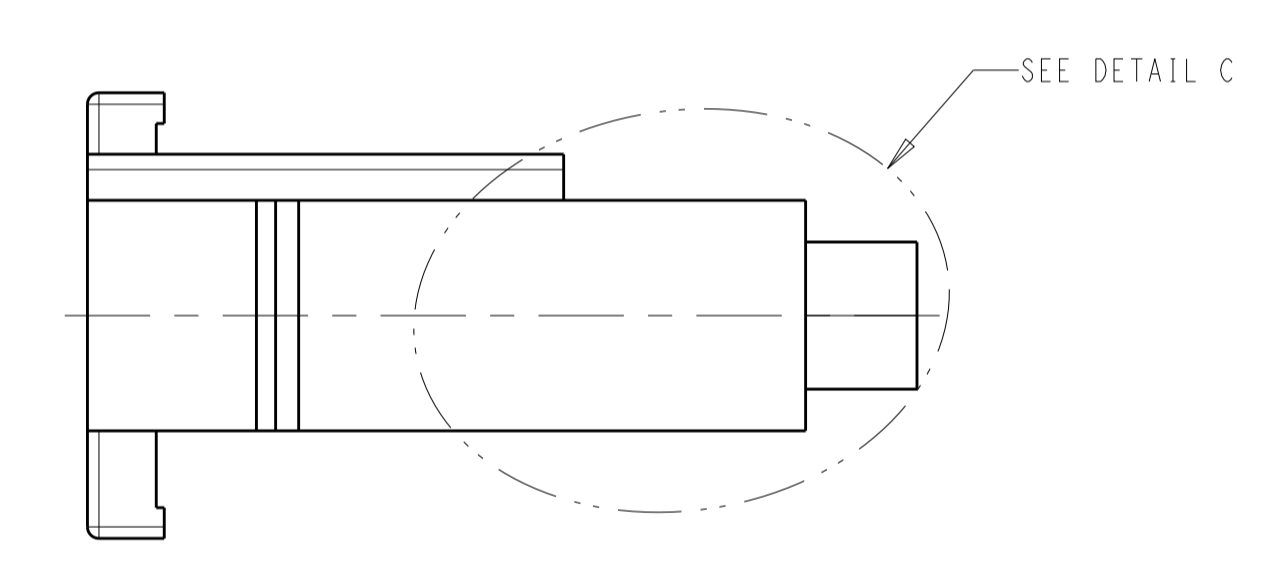
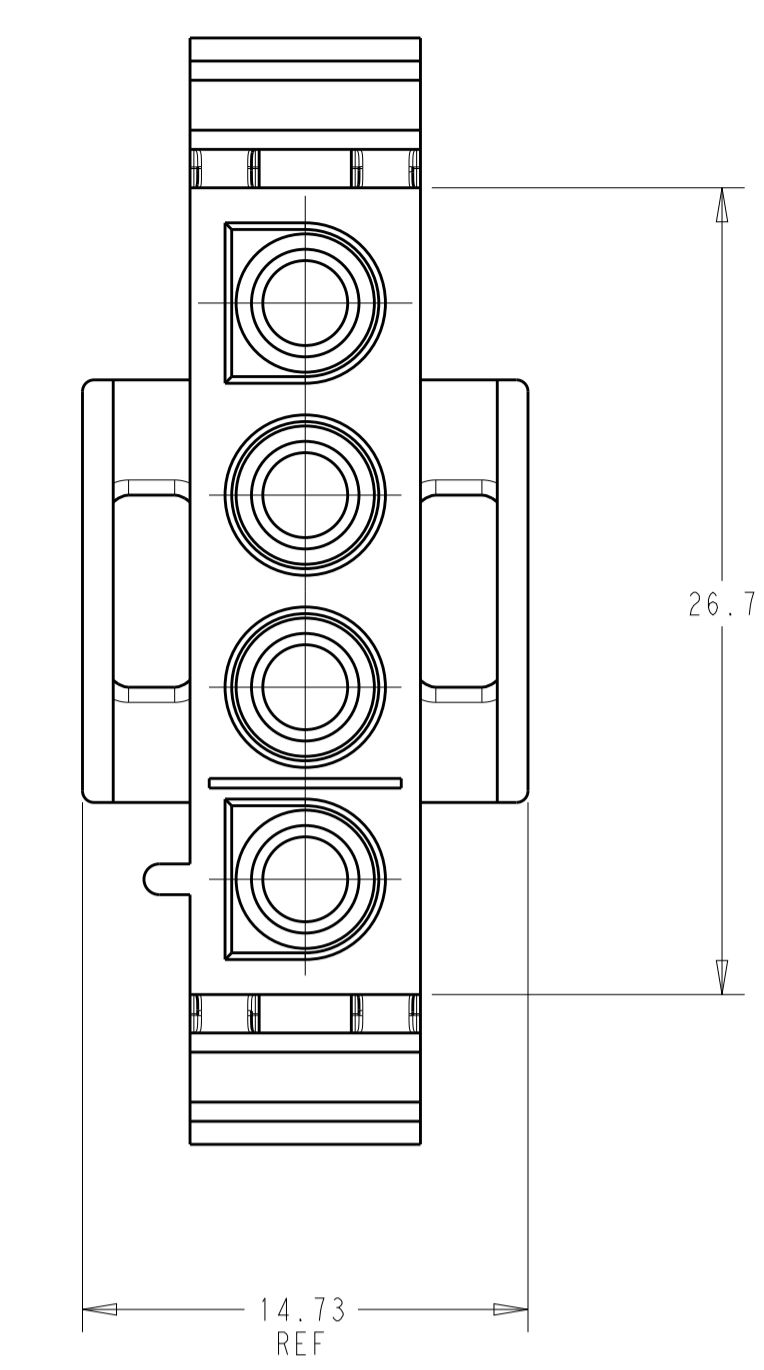
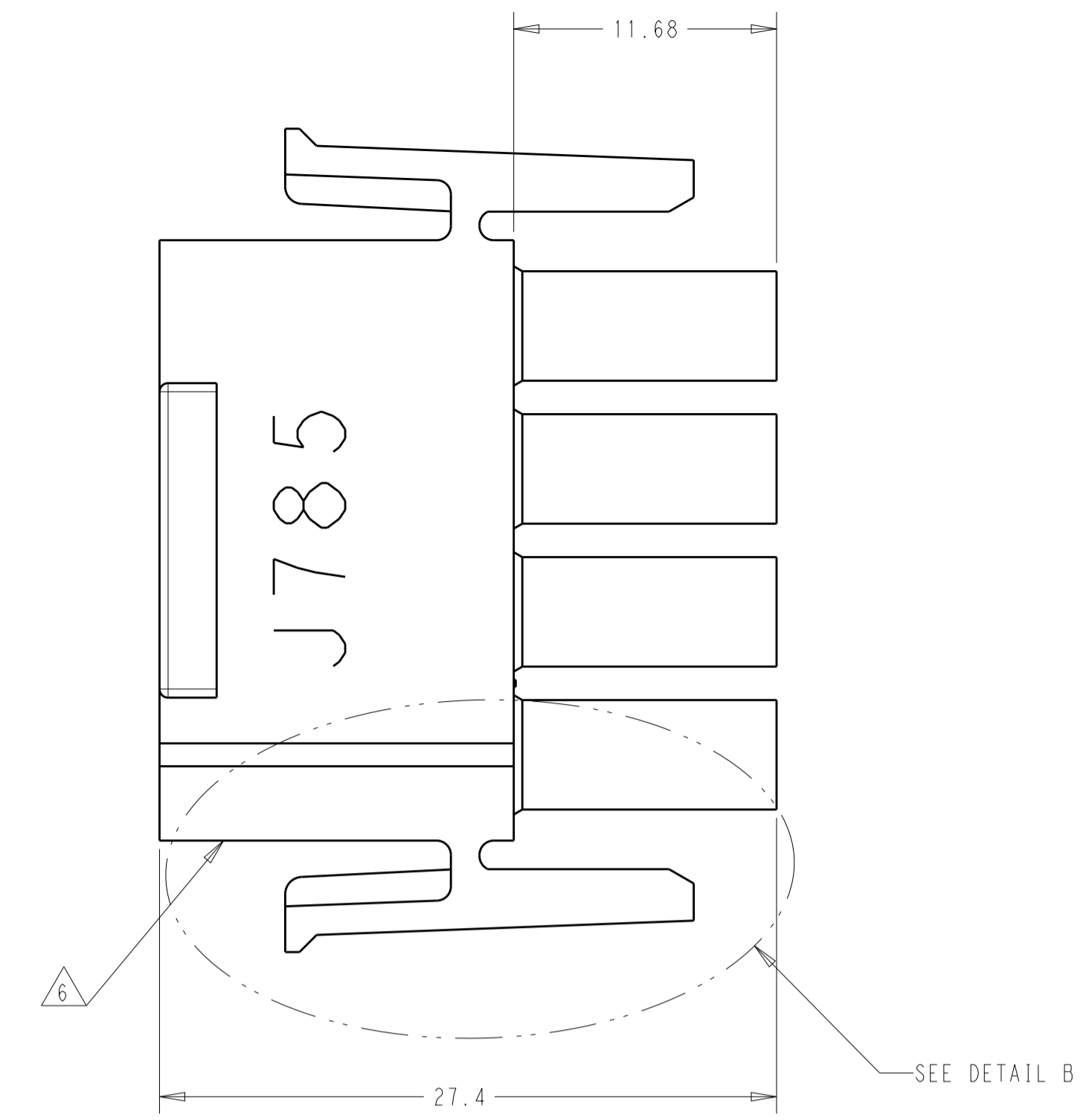
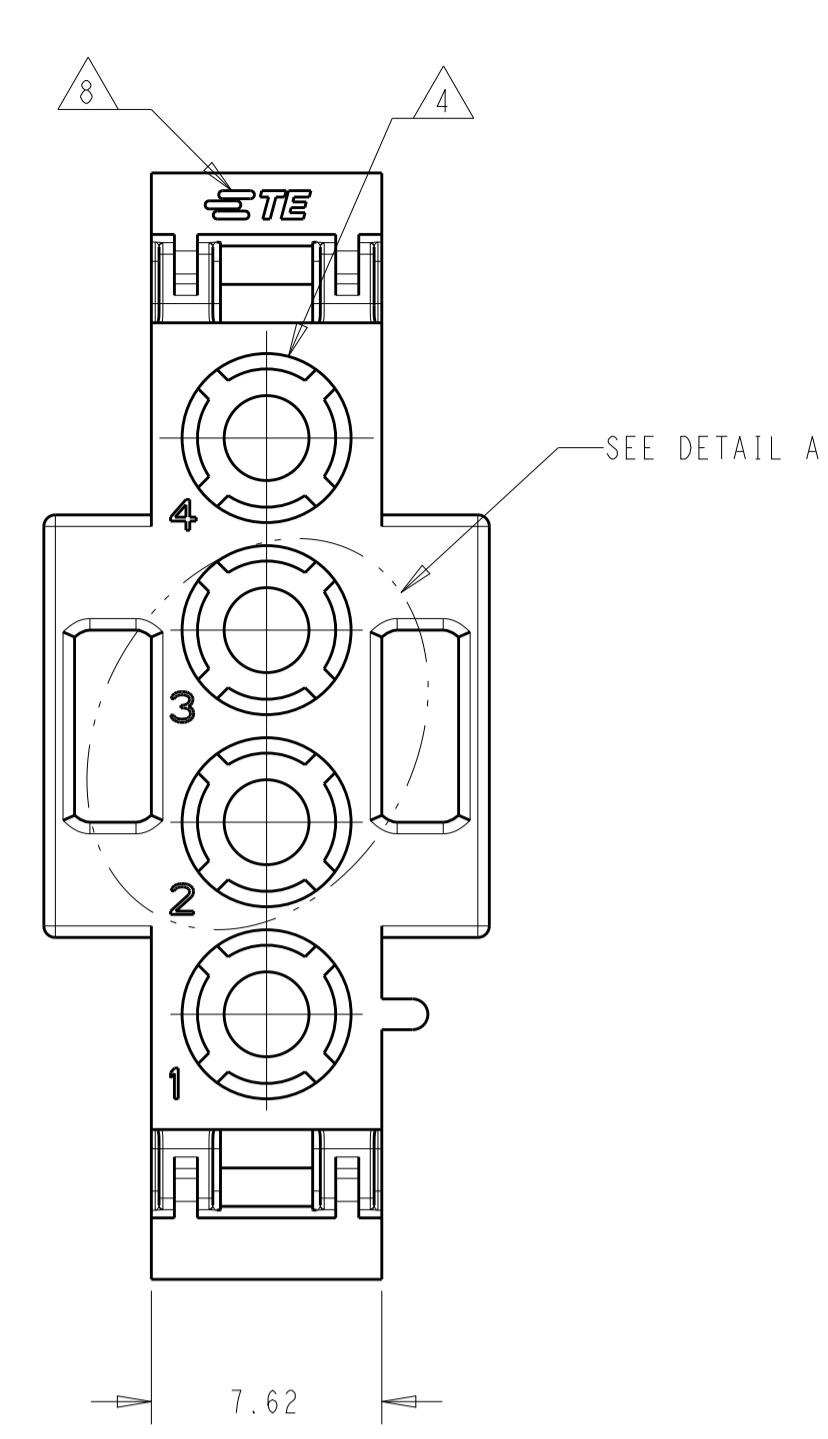
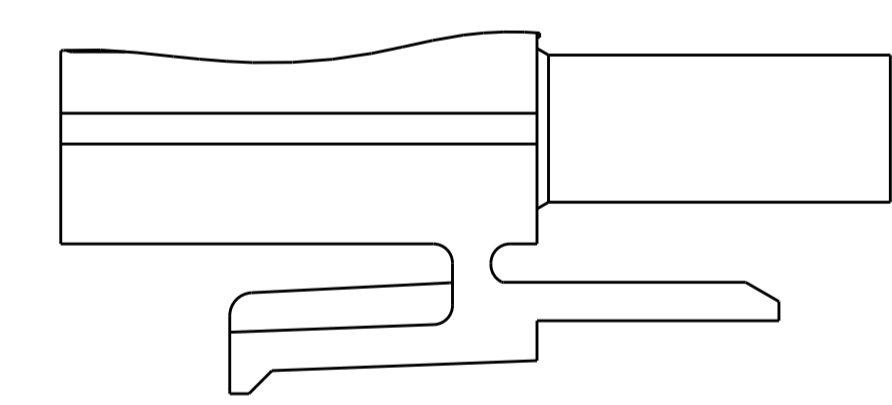


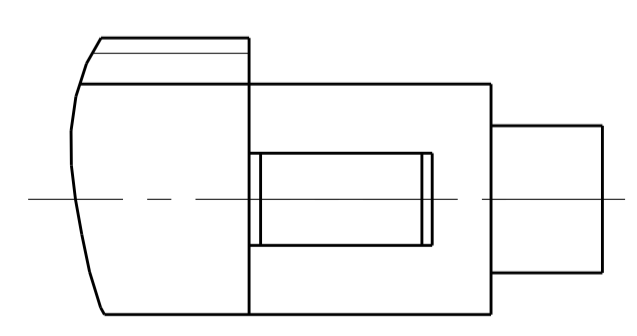
REVISIONS					
P.	LTN	DESCRIPTION	DATE	DWN	APVD
AB7		REDRAWN PER ECO-19-005708	14MAY2019	BKW	SF



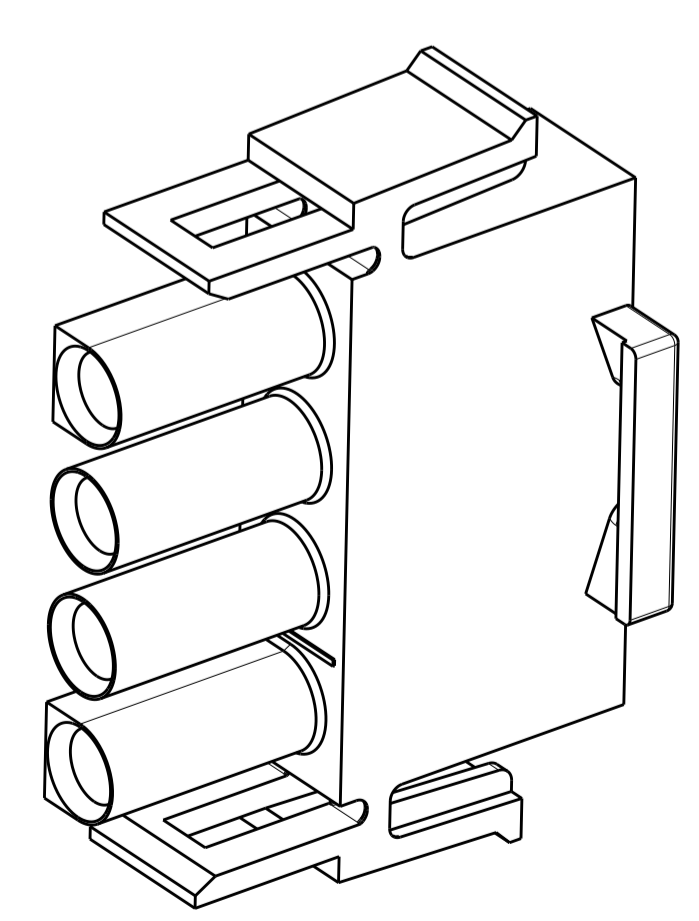
DETAIL A  
OPTIONAL CONSTRUCTION



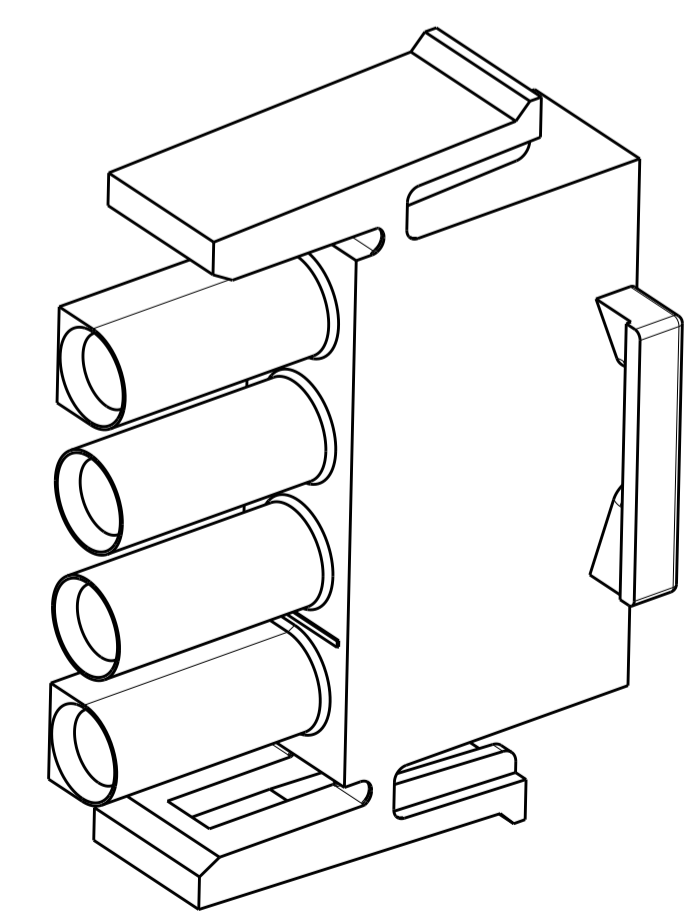
DETAIL B  
350779-4 ONLY



DETAIL C  
350779-4 ONLY



350779-4



- MATES WITH APPROPRIATE UNIVERSAL MATE-N-LOCK™ CAP OR HEADER.
  - SMALL NICKS ARE PERMITTED ON THE CIRCUIT TOWERS WHICH COULD INCREASE THE INITIAL HOUSING MATING FORCE BY UP TO 4.4 NEWTONS (1.0 LBS.). NO INDIVIDUAL NICKED TOWER SHALL INCREASE THIS FORCE BY OVER 2.2 NEWTONS (.5 LBS.).
  - DIMENSIONS SHOWN REPRESENT PRODUCT IN DRY, AS MOLDED, CONDITION. ADDITIONAL 2% GROWTH DUE TO SUBSEQUENT MOISTURE ABSORPTION MAY OCCUR AND SHOULD BE ACCOUNTED FOR.
- △ 4 FOUR RIBS EQUALLY SPACED, NO SPECIFIC ORIENTATION. NO RIBS OR SIX RIBS EQUALLY SPACED, NO SPECIFIC ORIENTATION, OPTIONAL.
  - △ 5 NOT MANUFACTURED IN THE U.S.
  - △ 6 UNDERWRITERS RECOGNIZED COMPONENT LOGO AND CSA CERTIFICATION LOGO TO BE LOCATED ONCE ON ANY SIDE OF HOUSING.
  - △ 7 MATERIAL CORRESPONDING TO THE REQUIREMENT OF IEC60335-1 (INCL. GWT 750°C WITHOUT FLAME)
  - △ 8 SHOWN FOR CONVENIENCE: AMP OR TE LOGO MAY BE ON ANY EXTERNAL SURFACE.

△ NATURAL	350779-5
BLACK	1-350779-9
GRAY	1-350779-8
BLUE	1-350779-6
GREEN	1-350779-5
YELLOW	1-350779-4
ORANGE	1-350779-3
RED	1-350779-2
BROWN	1-350779-1
△ 5	350779-4
NATURAL	350779-1
COLOR	PART NUMBER

THIS DRAWING IS A CONTROLLED DOCUMENT.

DIMENSIONS:	TOLERANCES UNLESS OTHERWISE SPECIFIED:	DWN B. WEAVER 14MAY2019	TE Connectivity NAME PLUG, 4 CIRCUIT, UNIVERSAL MATE-N-LOCK PRODUCT SPEC - APPLICATION SPEC - SIZE CAGE CODE DRAWING NO. - WEIGHT - MATERIAL NYLON 94V-0 FINISH -
mm	0 PLC ±.4 1 PLC ±0.4 2 PLC ±0.20 3 PLC ±. 4 PLC ±. ANGLES ±.40°/30°	CHK S. FERNANDES 14MAY2019	
		APVD T. BENCHOFF 14MAY2019	
		CUSTOMER DRAWING	

SCALE 4:1 SHEET 1 OF 1 REV AB7

单击下面可查看定价，库存，交付和生命周期等信息

[>>TE Connectivity\(泰科\)](#)