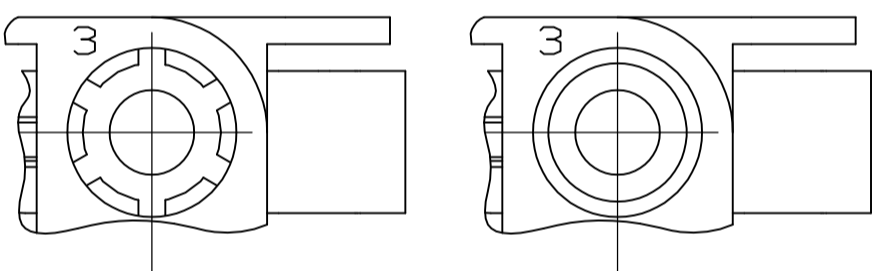
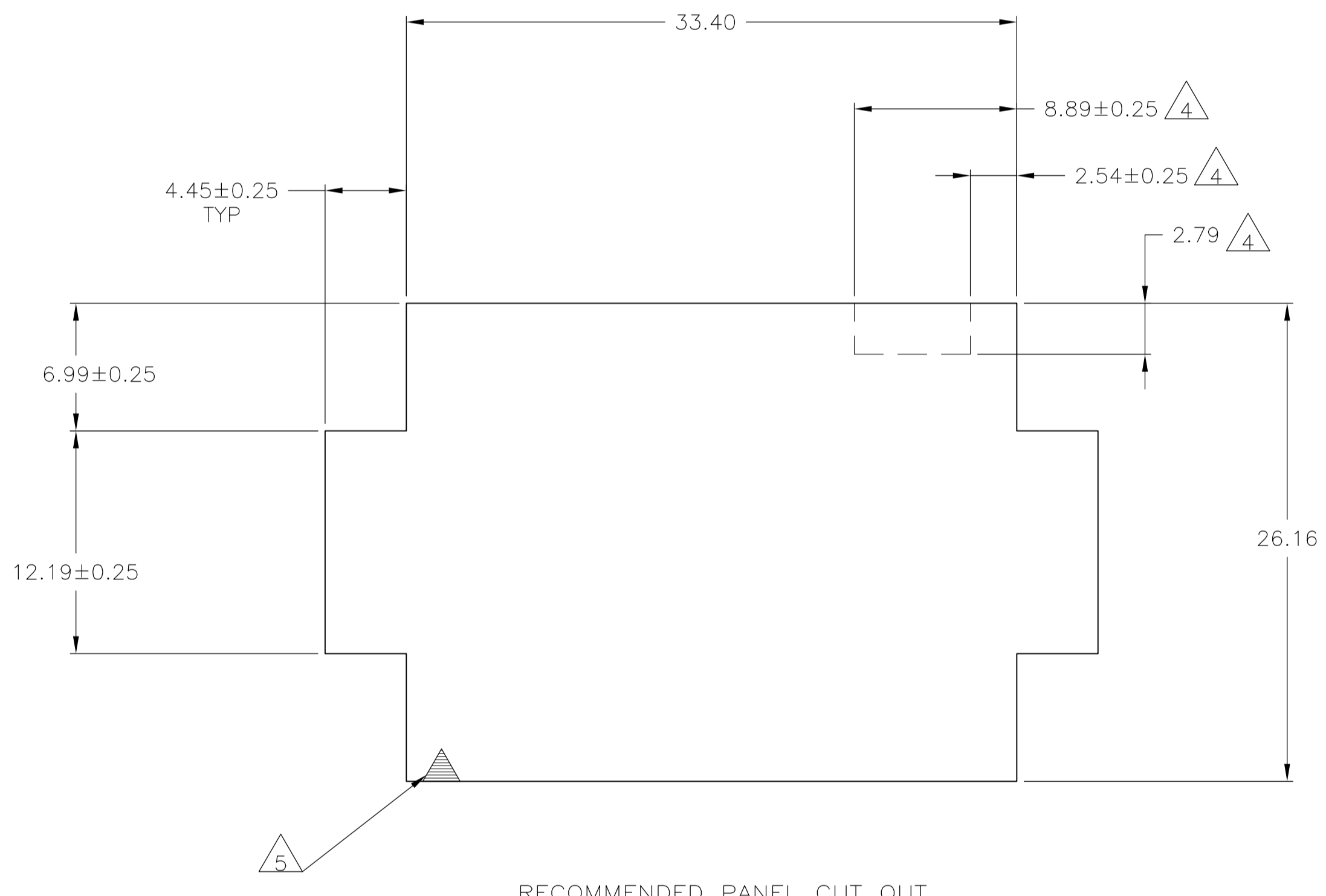
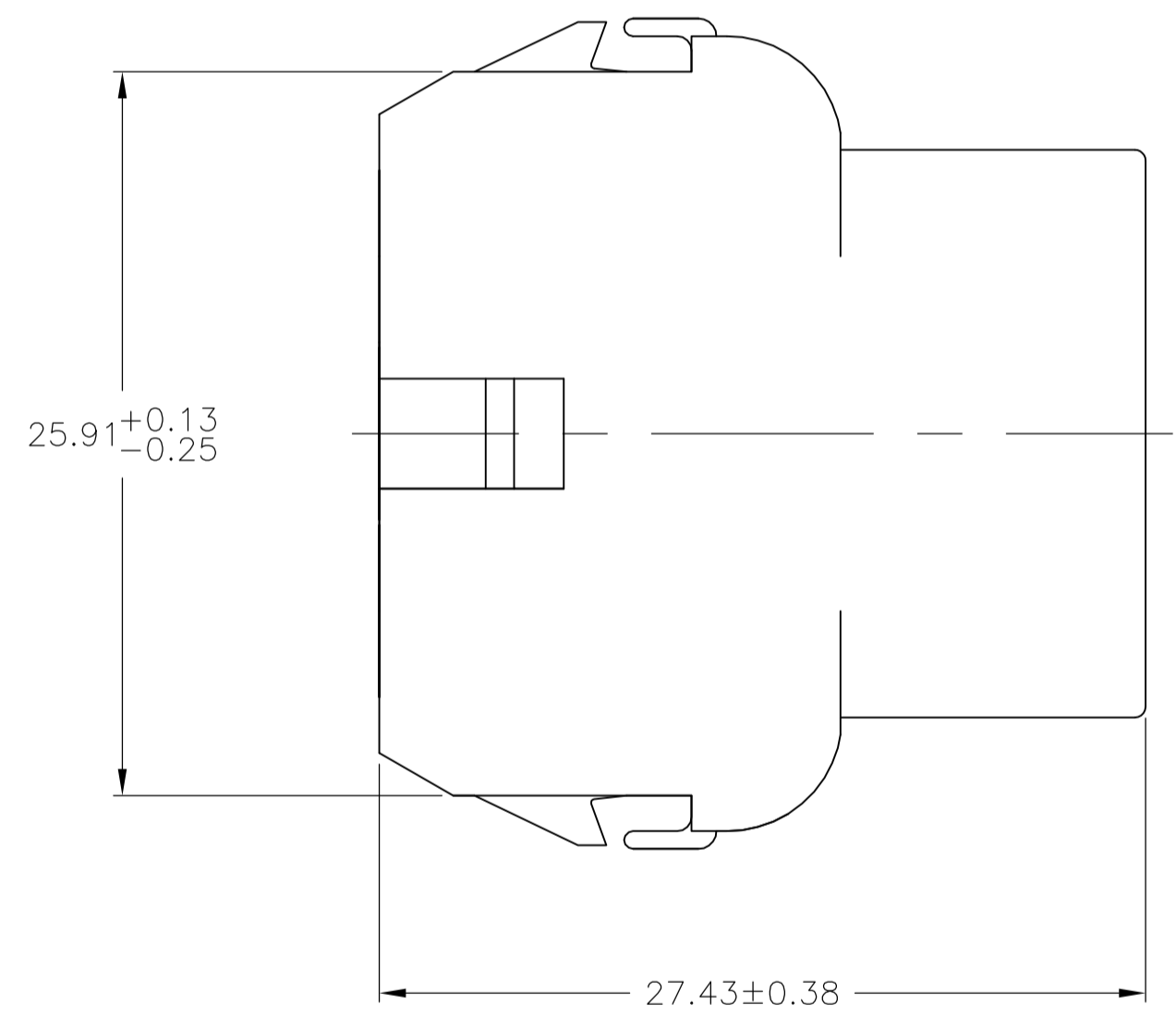


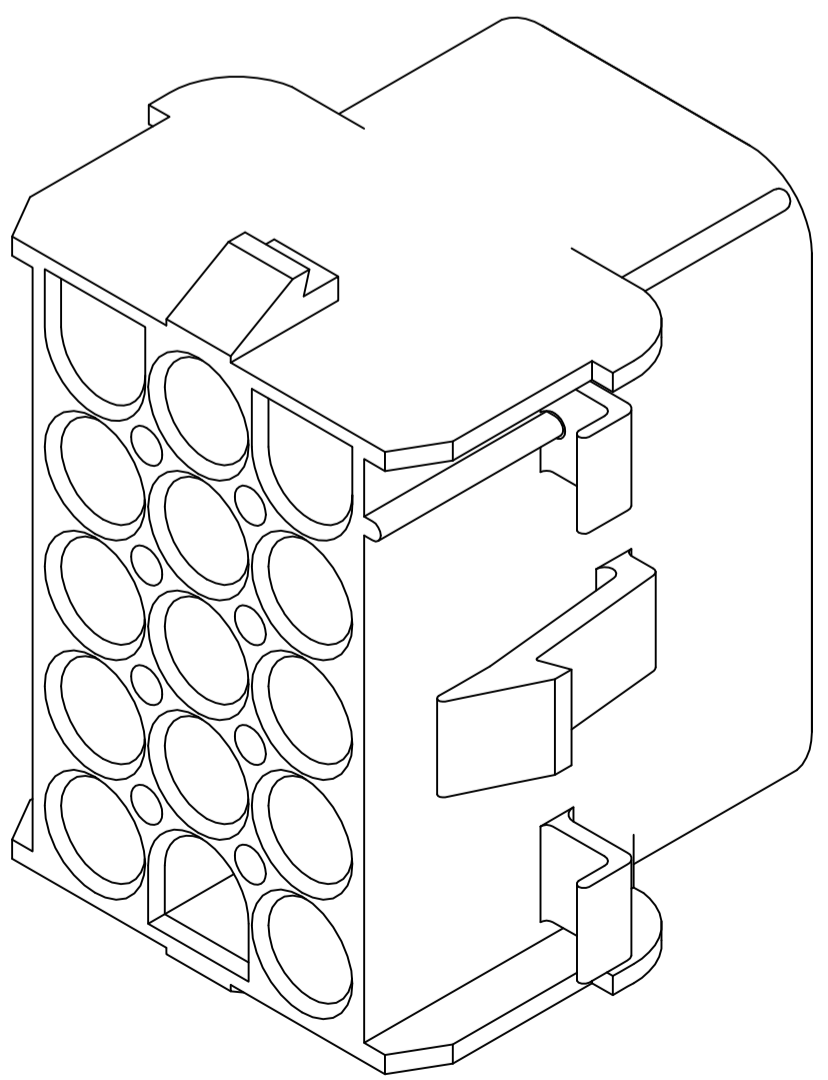
1. MATES WITH APPROPRIATE UNIVERSAL MATE-N-LOK™ PLUG.
2. RECOMMENDED PANEL THICKNESS 0.76 - 2.29.
3. PANEL MUST BE PUNCHED SO THAT THE HOUSING ENTERS THE PANEL IN THE SAME DIRECTION AS THE PUNCH.
4. OPTIONAL FOR KEYING HOUSING IN PANEL.
5. CIRCUIT NUMBER 1 LOCATION.
6. DIMENSIONS SHOWN REPRESENT PRODUCT IN DRY, AS MOLDED, CONDITION. ADDITIONAL 2% GROWTH DUE TO SUBSEQUENT MOISTURE ABSORPTION MAY OCCUR AND SHOULD BE ACCOUNTED FOR.
7. FOUR RIBS EQUALLY SPACED, NO SPECIFIC ORIENTATION. NO RIBS OR SIX RIBS EQUALLY SPACED, NO SPECIFIC ORIENTATION, OPTIONAL.
8. UNDERWRITERS RECOGNIZED COMPONENT LOGO AND CSA CERTIFICATION LOGO TO BE LOCATED ONCE EACH ON SIDE OF HOUSING.



DETAIL A  
OPTIONAL CONSTRUCTIONS



RECOMMENDED PANEL CUT OUT



3-DIMENSIONAL MODEL  
NTS

BLACK	1-350784-9
GRAY	1-350784-8
BLUE	1-350784-6
GREEN	1-350784-5
YELLOW	1-350784-4
ORANGE	1-350784-3
RED	1-350784-2
BROWN	1-350784-1
NATURAL	350784-1
COLOR	PART NUMBER

6.99	.275	33.40	1.315
4.45	.175	33.02	1.300
2.79	.110	27.43	1.080
2.54	.100	26.16	1.030
2.29	.090	25.91	1.020
0.76	.030	20.32	.800
0.38	.015	12.19	.480
0.25	.010	8.89	.350
0.13	.005	8.13	.320
MM	IN	MM	IN

CONVERSION TABLE

THIS DRAWING IS A CONTROLLED DOCUMENT.

DIMENSIONS:	TOLERANCES UNLESS OTHERWISE SPECIFIED:	DIN	K. WHITAKER	28MAY92
mm	0. PLC ± -	CHK	R. SWING	28MAY92
	1. PLC ± -	APP'D	D. SELF	28MAY92
	2. PLC ± 0.13	NAME	CAP.15 CIRCUIT, UNIVERSAL MATE-N-LOK™	
	3. PLC ± -	APPLICATION SPEC	-	
	4. PLC ± -	SIZE	A1	00779
	ANGLES ± 1°	WEIGHT	C=350784	
MATERIAL	FINISH	CUSTOMER DRAWING	SCALE	4:1
NYLON,UL 94V-0	-		SHEET	1 OF 1

RESTRICTED TO: REV U3

单击下面可查看定价，库存，交付和生命周期等信息

[>>TE Connectivity\(泰科\)](#)