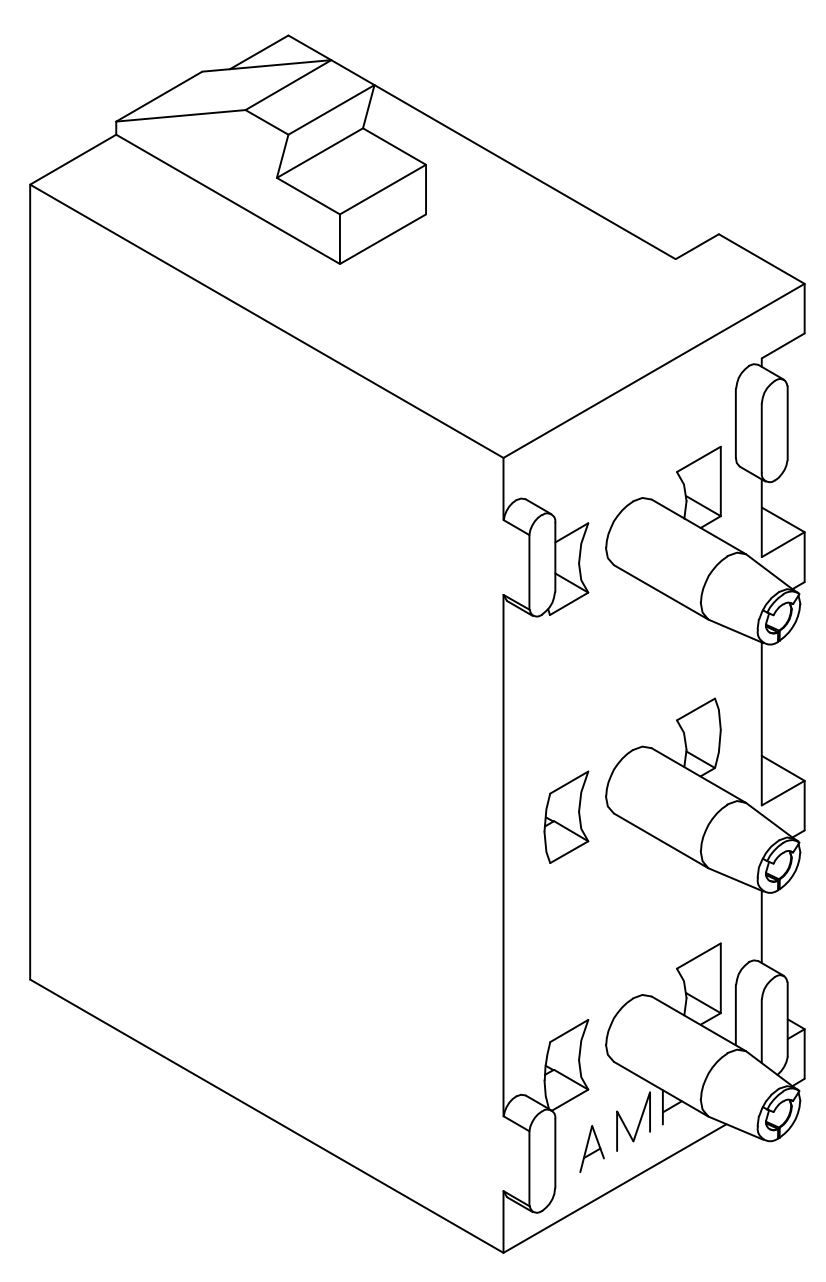
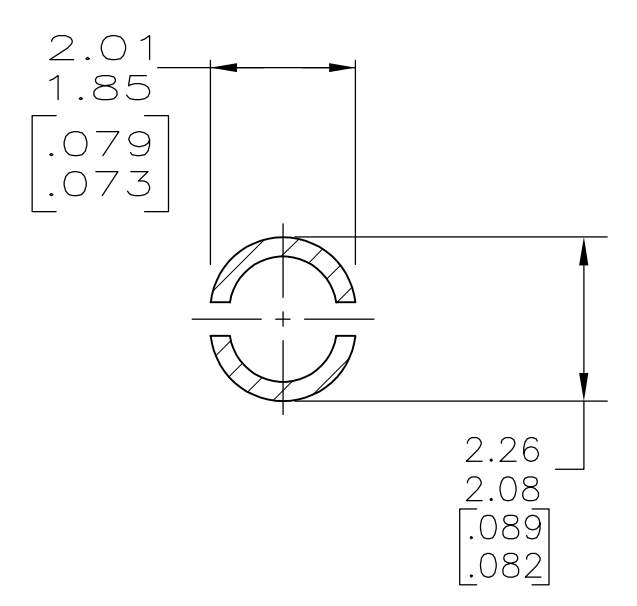
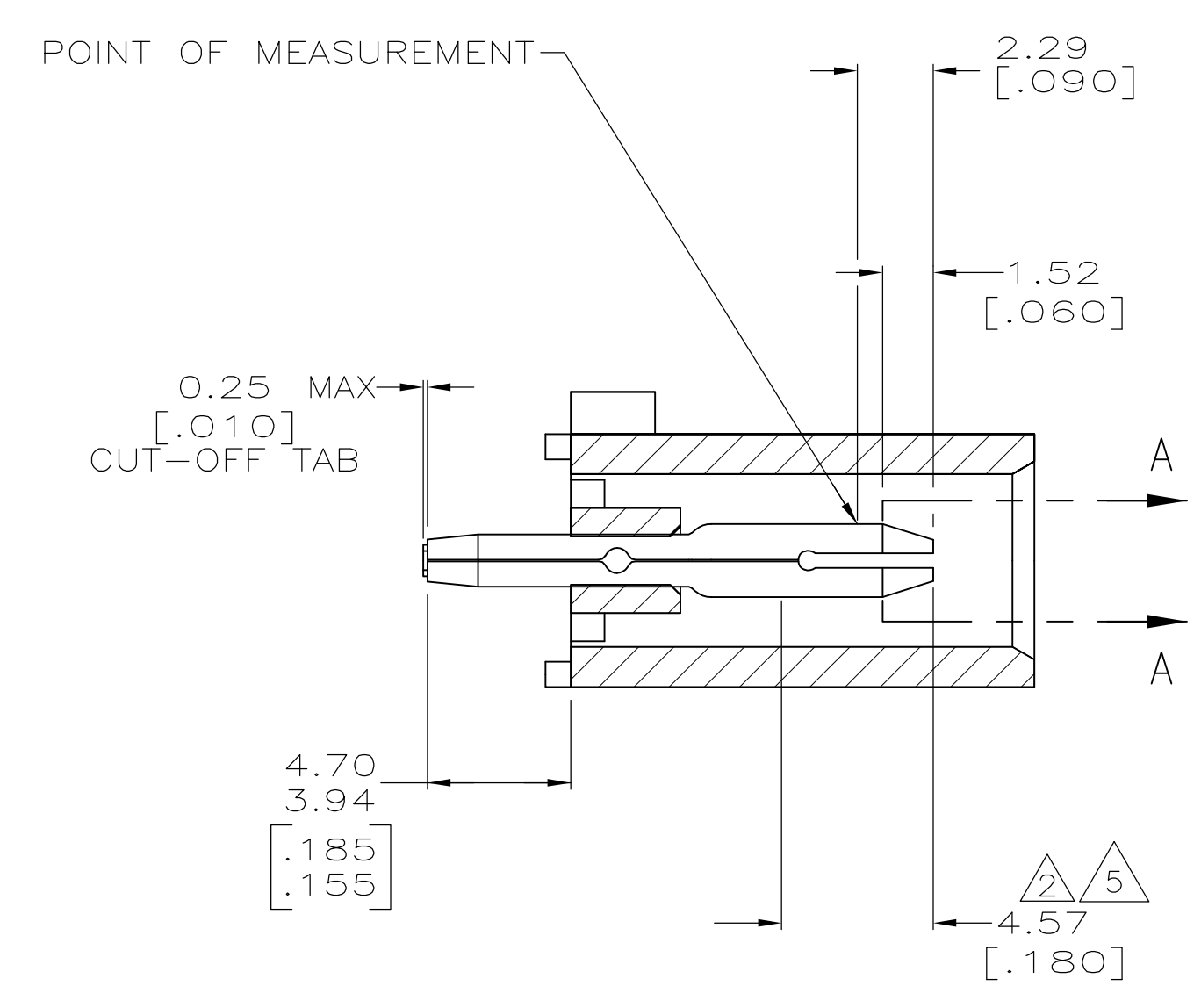


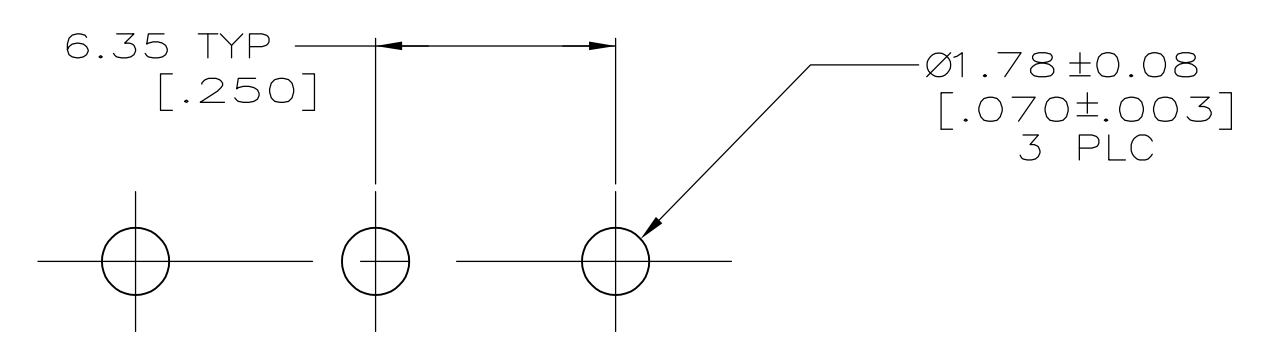
- 1 PARTS COMPLY TO AMP SOLDERABILITY SPECIFICATION 109-11-3.
- 2 CONTACT IS PLATED OVERALL WITH 0.00127 [.000050] NICKEL, THEN 0.00076 [.000030] GOLD OVER CONTACT LENGTH INDICATED AND MATTE TIN-LEAD ON SOLDER TAIL END.
- 3 CIRCUIT IDENTIFICATION CHARACTERS ARE ADJACENT TO THE INDICATED CAVITIES, BUT LOCATION AND ORIENTATION MAY DIFFER FROM PRINT.
- 4 DIMENSIONS IN BRACKETS ARE IN INCHES.
- 5 CONTACT IS PLATED OVERALL WITH 0.00127 [.000050] NICKEL, THEN 0.00076 [.000030] GOLD OVER CONTACT LENGTH INDICATED AND MATTE TIN ON SOLDER TAIL END.
- 6 SUPERSEDED BY 350789-3



3-DIMENSIONAL MODEL NTS



SECTION A-A SCALE 10:1



RECOMMENDED MOUNTING HOLE PATTERN FOR 1.57 [.062] THICK P.C. BOARD

|                                 |                       |                  |
|---------------------------------|-----------------------|------------------|
| PHOSPHOR BRONZE, PRE-TIN        | NYLON, UL94V-0, BLUE  | 1-350789-6       |
| PHOSPHOR BRONZE, PRE-TIN        | NYLON, UL94V-0, RED   | 1-350789-2       |
| PHOSPHOR BRONZE, GOLD 5         | NYLON, UL94V-0, WHITE | 350789-3         |
| PHOSPHOR BRONZE, GOLD 2         | NYLON, UL94V-0, WHITE | 350789-2         |
| PHOSPHOR BRONZE, PRE-TIN        | NYLON, UL94V-0, WHITE | 350789-1         |
| PIN CONTACT MATERIAL AND FINISH |                       | HOUSING MATERIAL |
|                                 |                       | PART NUMBER      |

THIS DRAWING IS A CONTROLLED DOCUMENT.

|                         |  |                     |                 |                    |                    |
|-------------------------|--|---------------------|-----------------|--------------------|--------------------|
| DIMENSIONS: mm [INCHES] | TOLERANCES UNLESS OTHERWISE SPECIFIED: | APVD: S. RIDGILL    | DATE: 23JUN2003 | NAME: S. CARPENTER | DATE: 23JUN2003    |
| 0 PLC ±                 | 1 PLC ±                                | 2 PLC ± 0.13 [.005] | 3 PLC ±         | 4 PLC ±            | ANGLES ± 0.30'     |
| MATERIAL SEE TABLE      | FINISH SEE TABLE                       | WEIGHT              | SIZE: A1        | CAGE CODE: 00779   | DRAWING NO: 350789 |
| CUSTOMER DRAWING        |  |                     | SCALE: 5:1      | SHEET: 1 OF 1      | REV: R3            |

STE TE Connectivity

PIN HEADER ASSEMBLY, 3 CIRCUIT, UNIVERSAL MATE-N-LOK(TM)

单击下面可查看定价，库存，交付和生命周期等信息

[>>TE Connectivity\(泰科\)](#)