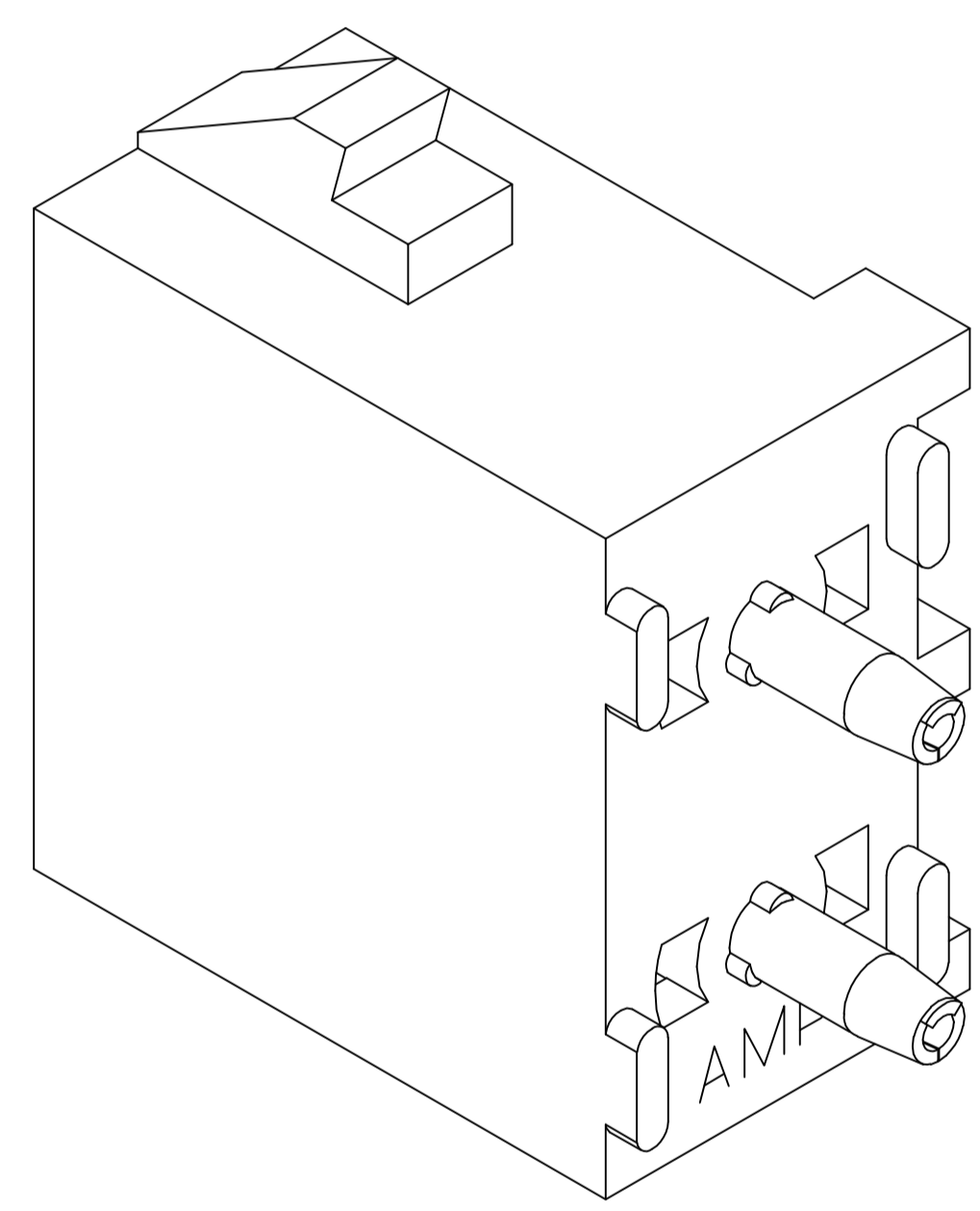
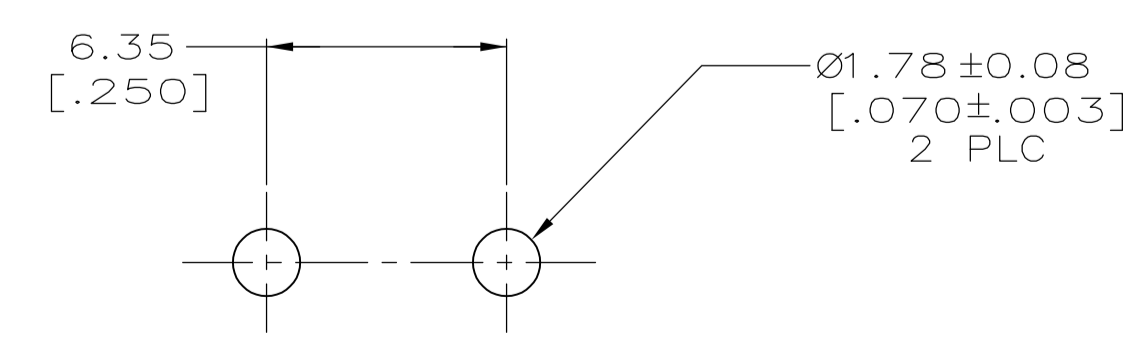
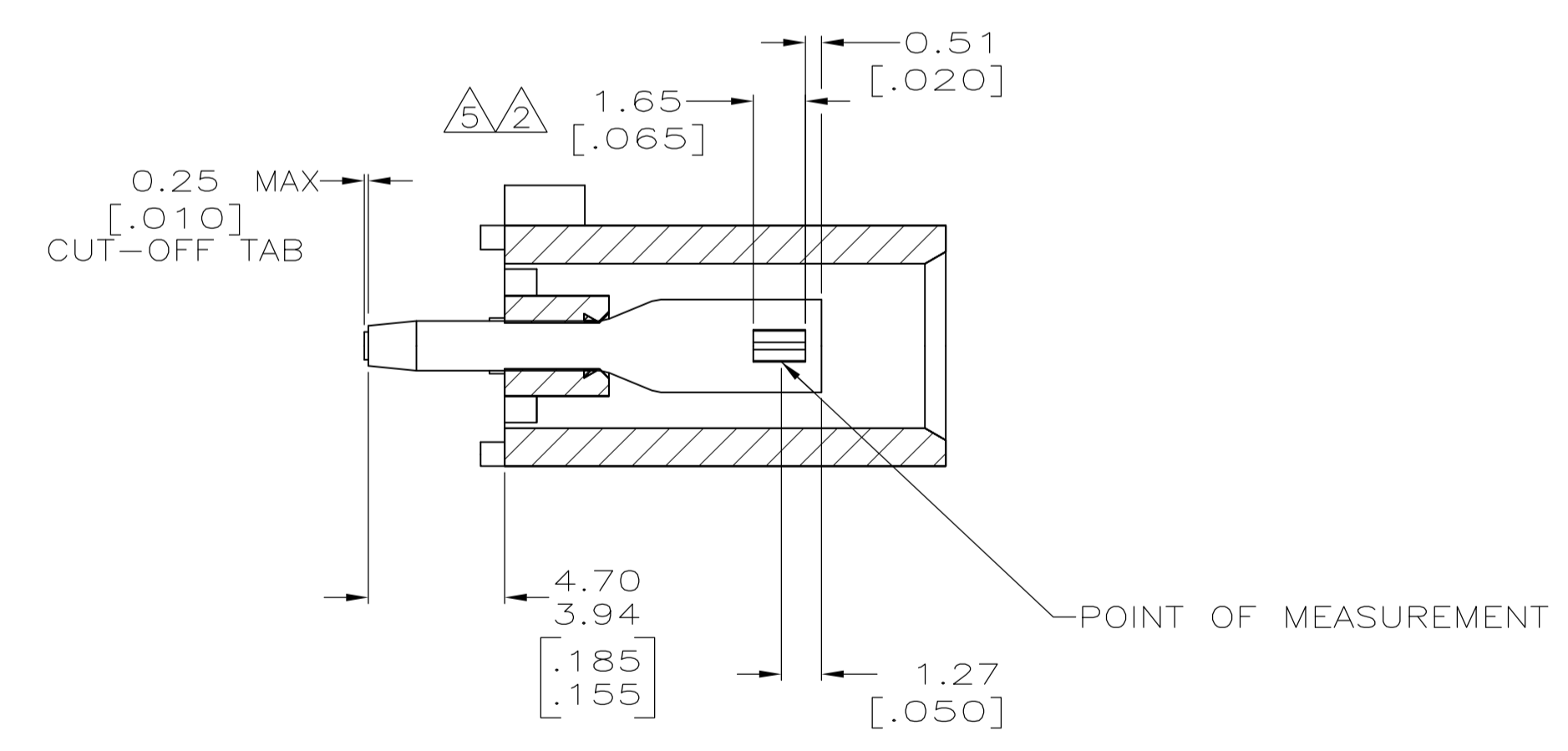


- 1 PARTS COMPLY TO AMP SOLDERABILITY SPECIFICATION 109-11-3.
- 2 CONTACT IS PLATED OVERALL WITH 0.00127 [.000050] NICKEL, THEN 0.00076 [.000030] GOLD OVER CONTACT LENGTH INDICATED AND MATTE TIN LEAD ON SOLDER TAIL END.
- 3 CIRCUIT IDENTIFICATION CHARACTERS ARE ADJACENT TO THE INDICATED CAVITIES, BUT LOCATION AND ORIENTATION MAY DIFFER FROM PRINT.
- 4 DIMENSIONS IN BRACKETS ARE IN INCHES.
- 5 CONTACT IS PLATED OVERALL WITH 0.00127 [.000050] NICKEL, THEN 0.00076 [.000030] GOLD OVER CONTACT LENGTH INDICATED AND MATTE TIN ON SOLDER TAIL END.
- 6 SUPERSEDED BY 350824-4



3-DIMENSIONAL MODEL NTS



RECOMMENDED MOUNTING HOLE PATTERN FOR 1.57 [.062] THICK P.C. BOARD

5	PHOSPHOR BRONZE, GOLD	NYLON,UL94V-0,WHITE	350824-4
2	PHOSPHOR BRONZE, GOLD	NYLON,UL94V-0,WHITE	350824-2
	PHOSPHOR BRONZE, PRE-TIN	NYLON,UL94V-0,WHITE	350824-1
	CONTACT MATERIAL AND FINISH	HOUSING MATERIAL	PART NUMBER

THIS DRAWING IS A CONTROLLED DOCUMENT.		DIN 8-19-98	TE Connectivity	
DIMENSIONS: mm [INCHES]		0 PLC ± -	STE	
TOLERANCES UNLESS OTHERWISE SPECIFIED:		1 PLC ± -	TE Connectivity	
2 PLC ± 0.13 [.005]		2 PLC ± -	SOCKET HEADER ASSEMBLY, 2 CIRCUIT UNIVERSAL MATE-N-LOK™	
3 PLC ± -		3 PLC ± -	APPLICATION SPEC	
4 PLC ± -		4 PLC ± -	SIZE CAGE CODE DRAWING NO	
ANGLES ± ± 0°30'		5	A1 00779 C=350824	
MATERIAL SEE TABLE	FINISH SEE TABLE	WEIGHT	SCALE 5:1	SHEET 1 OF 1
CUSTOMER DRAWING		REV N1		

单击下面可查看定价，库存，交付和生命周期等信息

[>>TE Connectivity\(泰科\)](#)