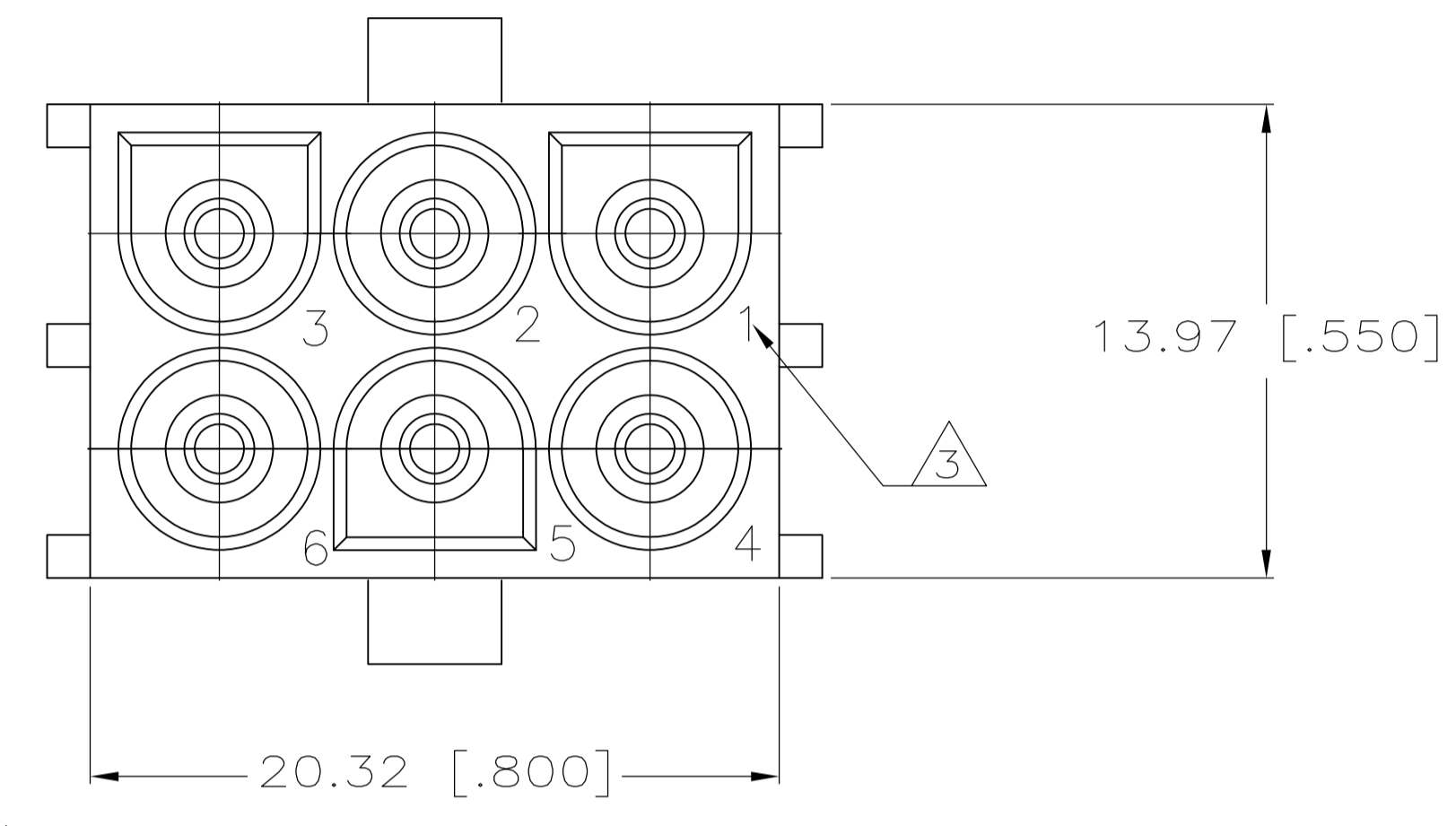
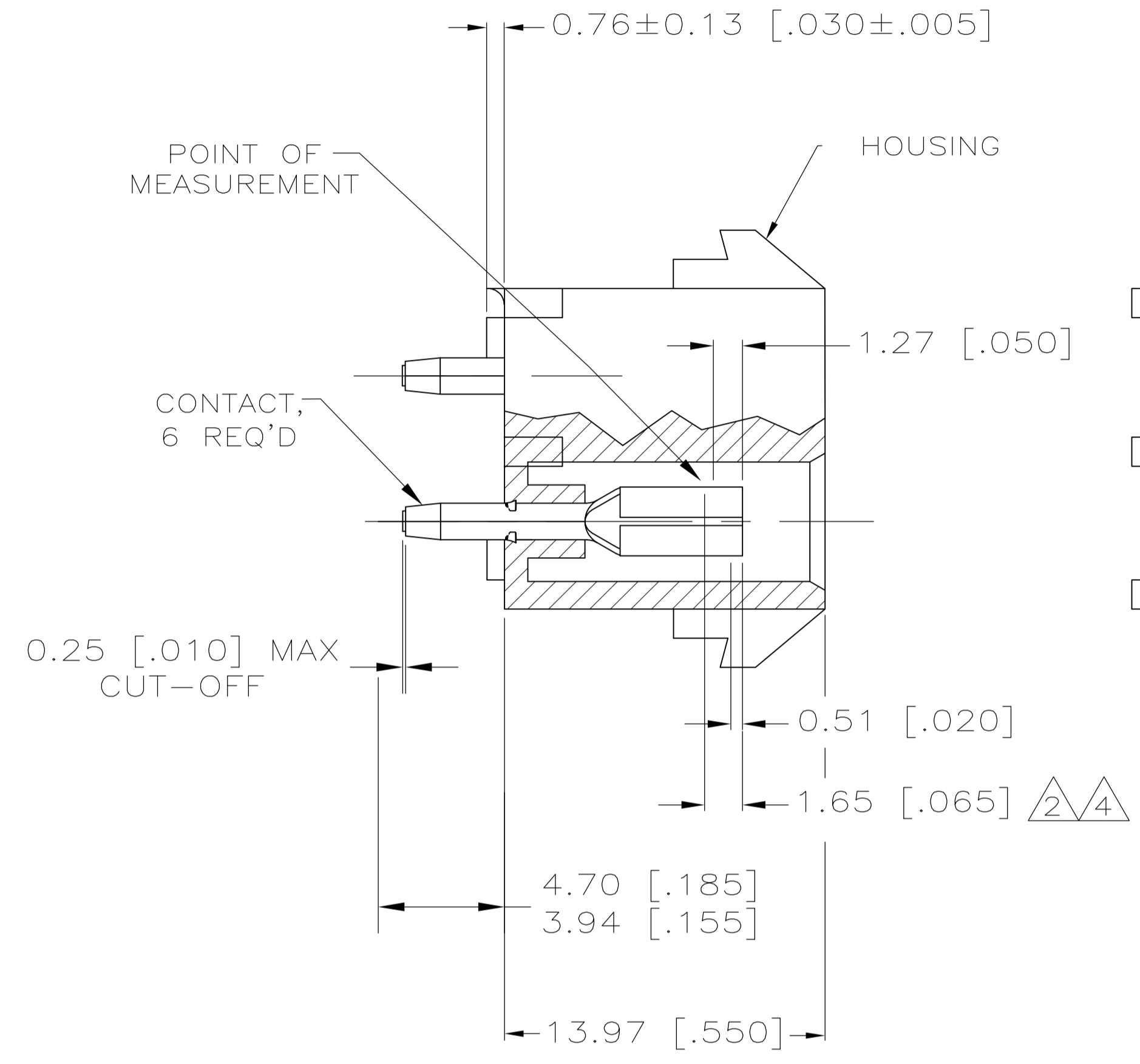
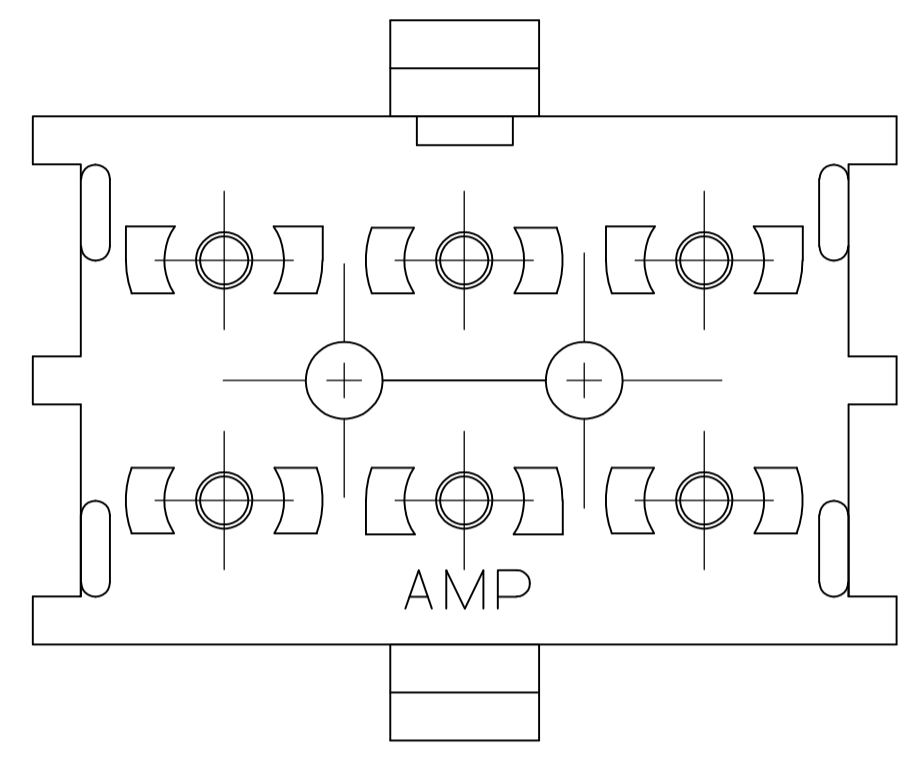
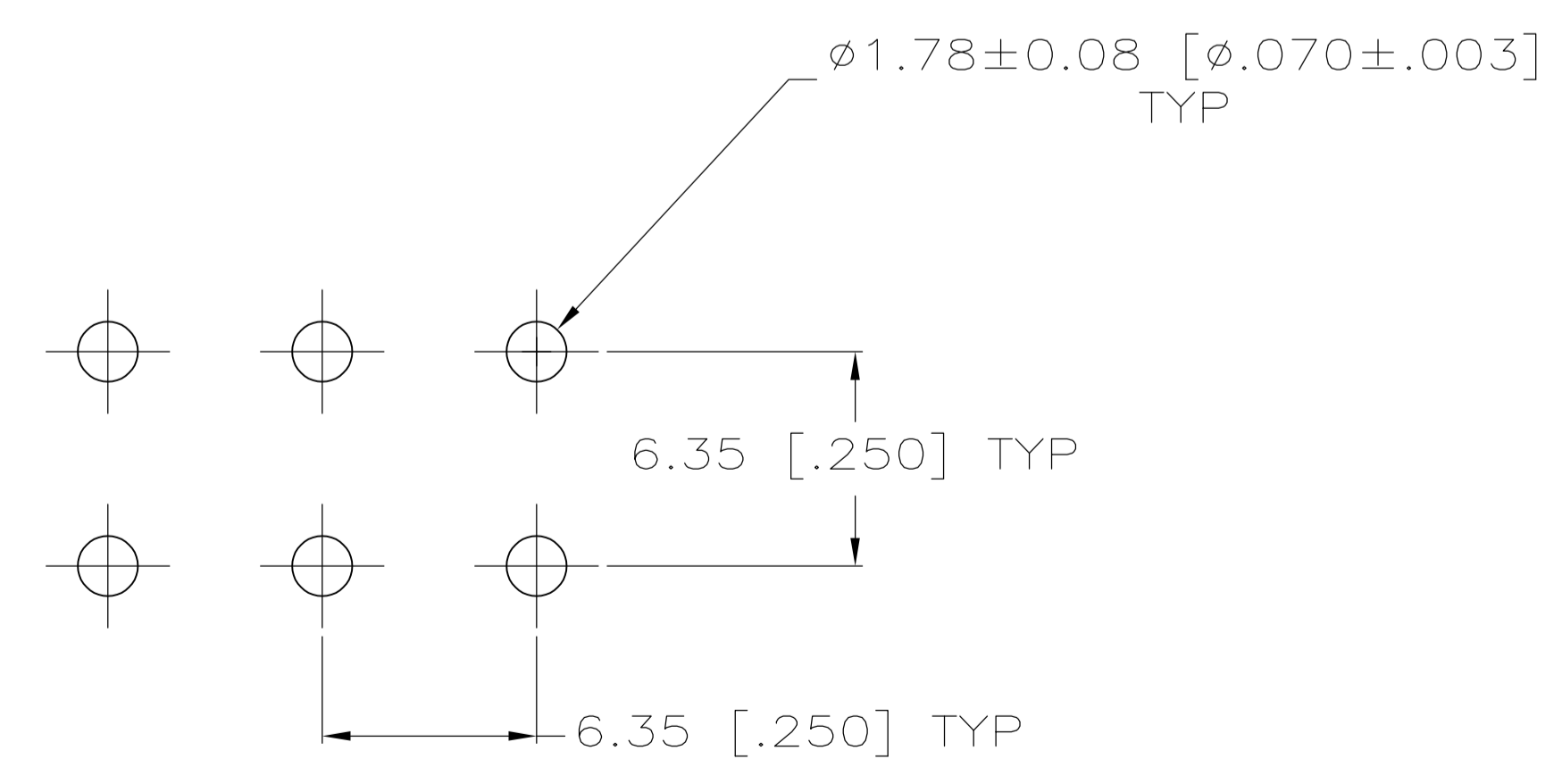


LOC		DIST		REVISIONS			
CM	00	REV	DATE	BY	CHK	APPV	
M2		REVISED PER ECR-12-011660	25JAN13	KH		TM	



- 1 PARTS MUST COMPLY WITH AMP SOLDERABILITY SPEC 109-11-3.
- 2 CONTACT IS STAMPED FROM PRE-PLATED STOCK WHICH IS PLATED OVERALL WITH 0.00127 [.000050] NICKEL, THEN STRIPED WITH 0.00076 [.000030] GOLD IN CONTACT AREA INDICATED AND TIN-LEAD ON SOLDER TAIL END.
- 3 CIRCUIT IDENTIFICATION CHARACTERS ARE ADJACENT TO THE INDICATED CAVITIES, BUT LOCATION AND ORIENTATION MAY DIFFER FROM PRINT.
- 4 CONTACT IS PLATED OVERALL WITH 0.00127 [.000050] NICKEL, THEN 0.00076 [.000030] GOLD OVER CONTACT LENGTH INDICATED AND MATTE TIN ON SOLDER TAIL END.
- 5 SUPERSEDED BY 350827-4



RECOMMENDED LAYOUT FOR 1.58 [.062] THICK PC BOARD

5	PH BRZ GOLD 4	NYLON,UL 94V-0	350827-4
	PH BRZ GOLD 2	NYLON,UL 94V-0	350827-2
	PH BRZ TIN	NYLON,UL 94V-0	350827-1
	CONTACT	HOUSING	PART NO

THIS DRAWING IS A CONTROLLED DOCUMENT.

DIMENSIONS: mm [INCHES]	TOLERANCES UNLESS OTHERWISE SPECIFIED:	DWG: K. WHITAKER 11OCT2005 CHK: S. RIDGILL 11OCT2005 APPV: S. RIDGILL 11OCT2005	NAME: 6 CIRCUIT UNIVERSAL MATE-N-LOK (TM) P.C. BOARD SOCKET HEADER ASSEMBLY
0 PLC ±	1 PLC ±	2 PLC ±	3 PLC ± 0.13 [.005]
4 PLC ±	ANGLES ±	FINISH ±	

MATERIAL: SEE TABLE    FINISH: SEE TABLE    WEIGHT: A1 00779C=350827    SCALE: 5:1    SHEET: 1 OF 1    REV: M2

CUSTOMER DRAWING    SIZE: A1    CAGE CODE: 00779C    DRAWING NO: 350827    RESTRICTED TO: M2

单击下面可查看定价，库存，交付和生命周期等信息

[>>TE Connectivity\(泰科\)](#)