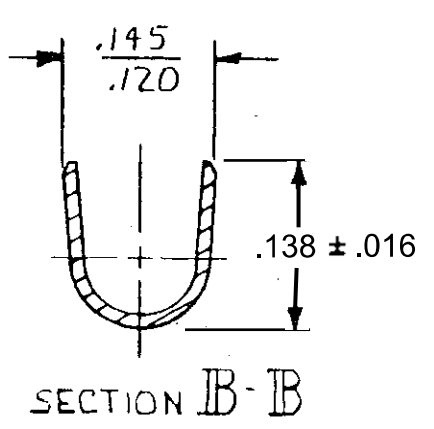
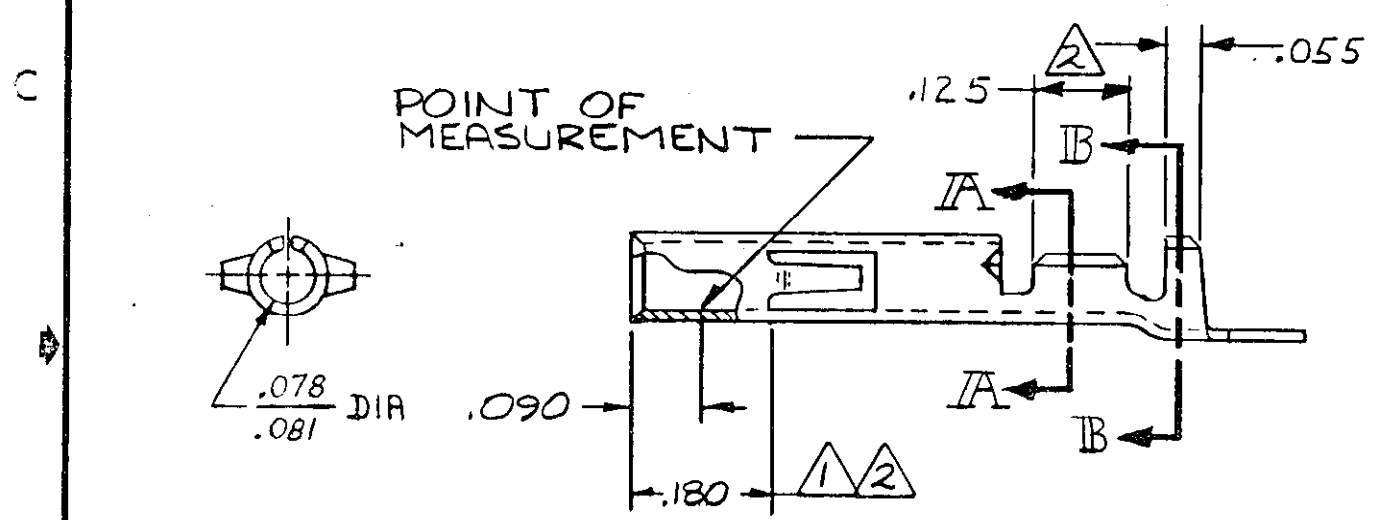
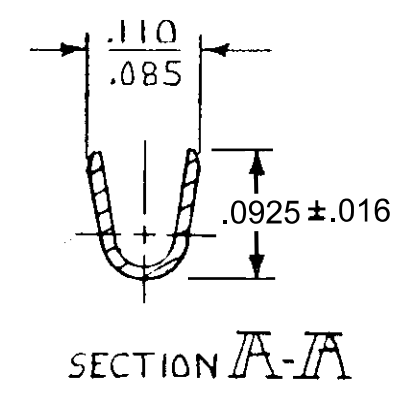
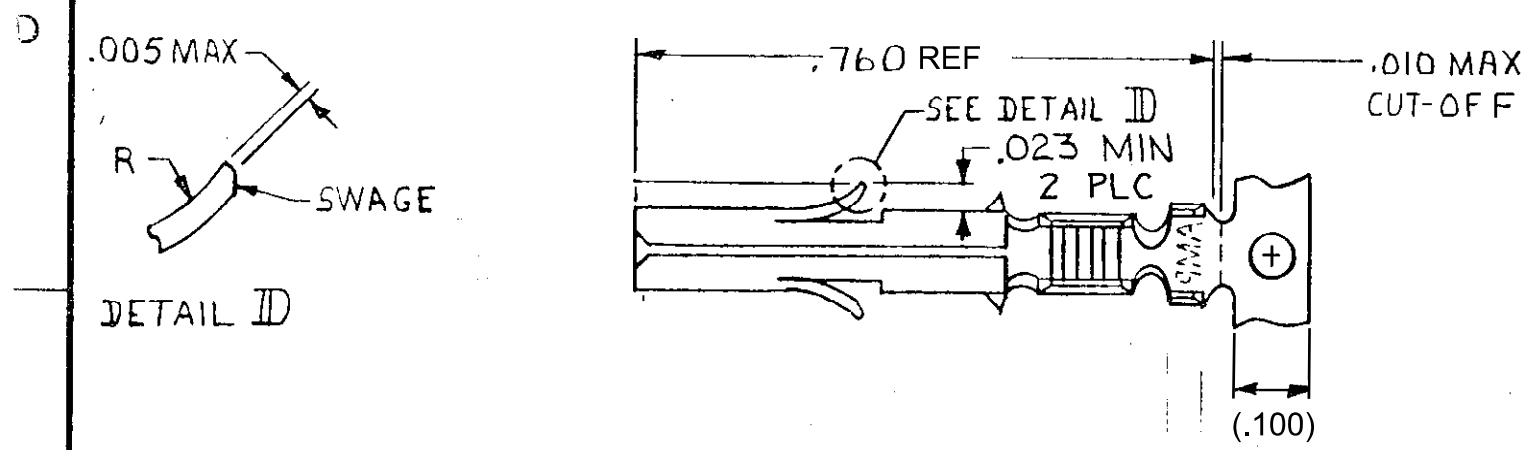


REVISIONS							
P	F	ZONE	LTR	DESCRIPTION	DATE	DWN	APVD
			S1	REVISED PER ECR-18-005288	12APR2018	BDA	SF



- ① .000030 THICK GOLD OVER NICKEL ON INSIDE OF RECEPTACLE; REMAINDER OF CONTACT IS NICKEL PLATED.
- ② .000030 THICK GOLD OVER NICKEL ON INSIDE OF RECEPTACLE AND WIRE BARREL; REMAINDER OF CONTACT IS NICKEL PLATED.
- ③ INSULATION RANGE: .040-.100 DIA.

LODSE PIECE (REF)	FINISH	MATERIAL	PART NO
—	GOLD ①	.012 BRASS	350851-7
640347-2	GOLD ②	.012 BRASS	350851-2
—	PRE-TIN	.012 BRASS	350851-1

UNLESS OTHERWISE SPECIFIED DIMENSIONS ARE IN INCHES. TOLERANCES ON: DECIMALS ± .015 ANGLES ± —	CONTRACT NO		STE TE Connectivity	
	DR <i>M. Feher 4-23-81</i>			
	WIRE RANGE		NAME SOCKET, UNIVERSAL MATE-N-LOK	
	.24-18 AWG			
INSULATION RANGE		SIZE	CODE IDENT NO	DRAWING NO
③		B	00779	350851
		SCALE 4-1	SHEET —	

CUSTOMER DRAWING

单击下面可查看定价，库存，交付和生命周期等信息

[>>TE Connectivity\(泰科\)](#)