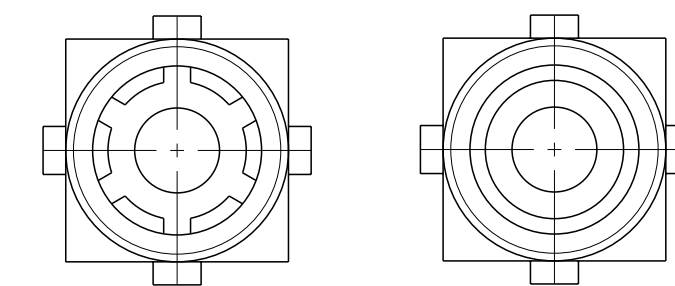
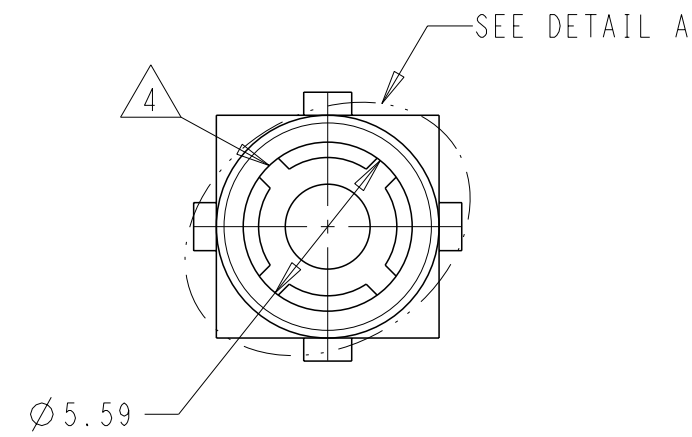
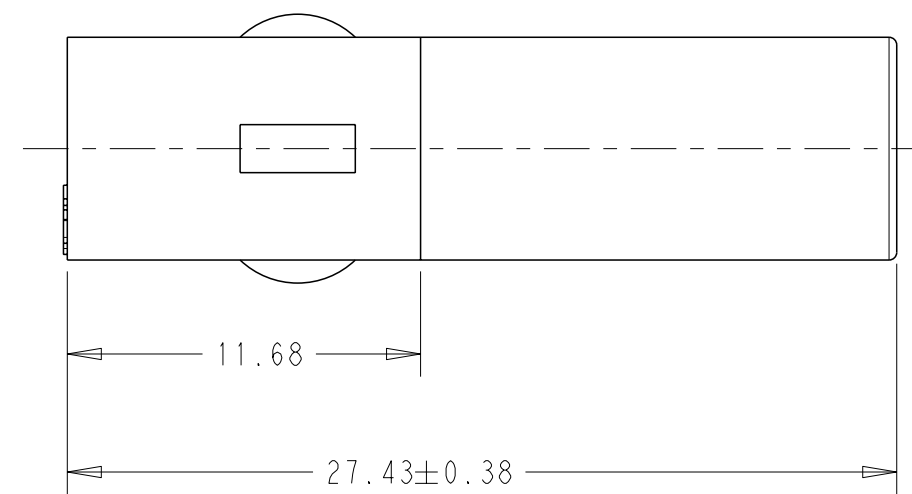
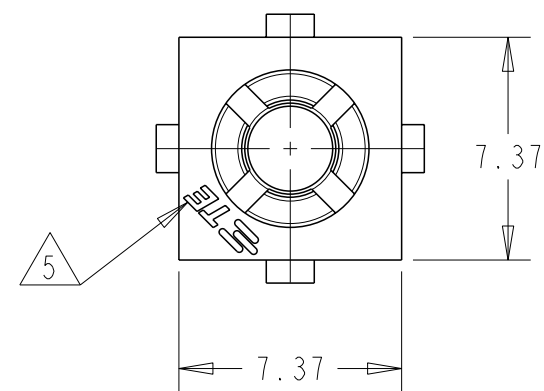
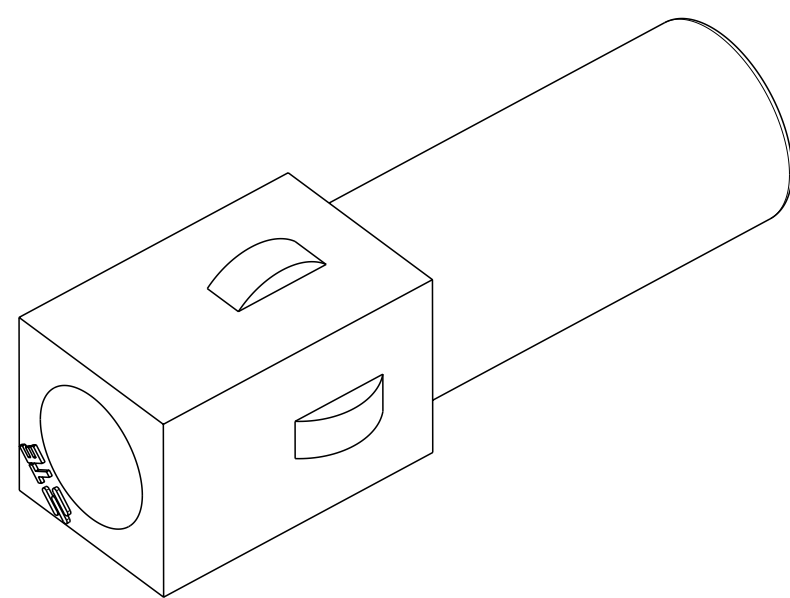


P	LTR	DESCRIPTION	DATE	DWN	APVD
N1		REDRAWN PER ECO-19-005708	06MAY2019	BKW	SF

- MATES WITH APPROPRIATE UNIVERSAL MATE-N-LOCK™ CAP
 - SMALL NICKS ARE PERMITTED ON THE CIRCUIT TOWER WHICH COULD INCREASE THE INITIAL HOUSING MATING FORCE BY UP TO 2.2 NEWTONS (.5 LBS.)
 - DIMENSIONS SHOWN REPRESENT PRODUCT IN DRY, AS MOLDED, CONDITION. ADDITIONAL 2% GROWTH DUE TO SUBSEQUENT MOISTURE ABSORPTION MAY OCCUR AND SHOULD BE ACCOUNTED FOR.
- △4 FOUR RIBS EQUALLY SPACED, NO SPECIFIC ORIENTATION. NO RIBS OR SIX RIBS EQUALLY SPACED, NO SPECIFIC ORIENTATION, OPTIONAL.
- △5 TRADEMARK LOCATION: AMP OR TE



DETAIL A
OPTIONAL CONSTRUCTIONS



NATURAL	1-350867-0
COLOR	PART NUMBER

THIS DRAWING IS A CONTROLLED DOCUMENT.		DWN B. WEAVER 06MAY2019		
DIMENSIONS: mm		CHK S. FERNANDES 06MAY2019		
TOLERANCES UNLESS OTHERWISE SPECIFIED:		APVD T. BENCHOFF 06MAY2019	NAME PLUG, SINGLE CIRCUIT, UNIVERSAL MATE-N-LOCK	
0 PLC ±	1 PLC ±	PRODUCT SPEC	SIZE	RESTRICTED TO
2 PLC ±0.13	3 PLC ±	APPLICATION SPEC	A2	-
4 PLC ±	ANGLES ±0° 30'	WEIGHT	CAGE CODE	DRAWING NO
MATERIAL NYLON UL 94V-2	FINISH	CUSTOMER DRAWING	00779	C-350867
		SCALE	4:1	SHEET 1 OF 1
		REV	N1	

单击下面可查看定价，库存，交付和生命周期等信息

[>>TE Connectivity\(泰科\)](#)