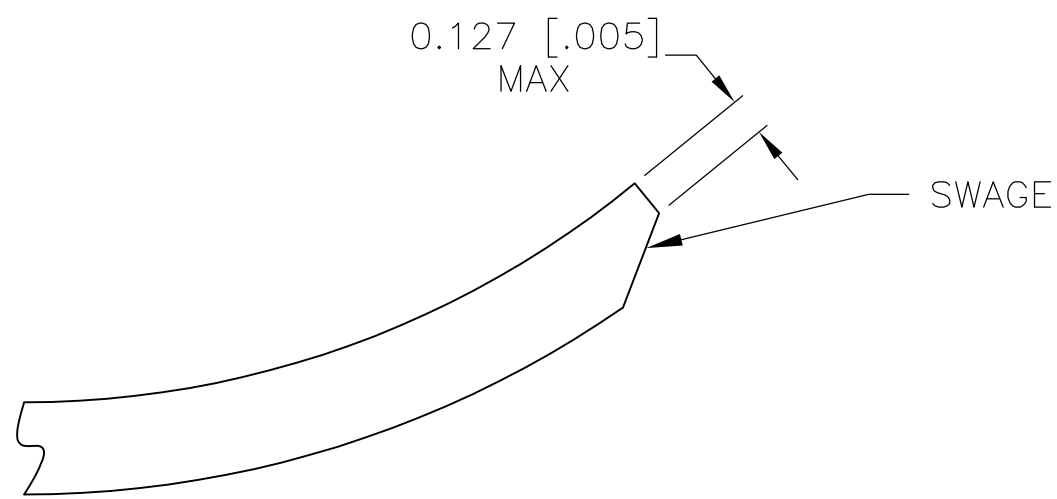
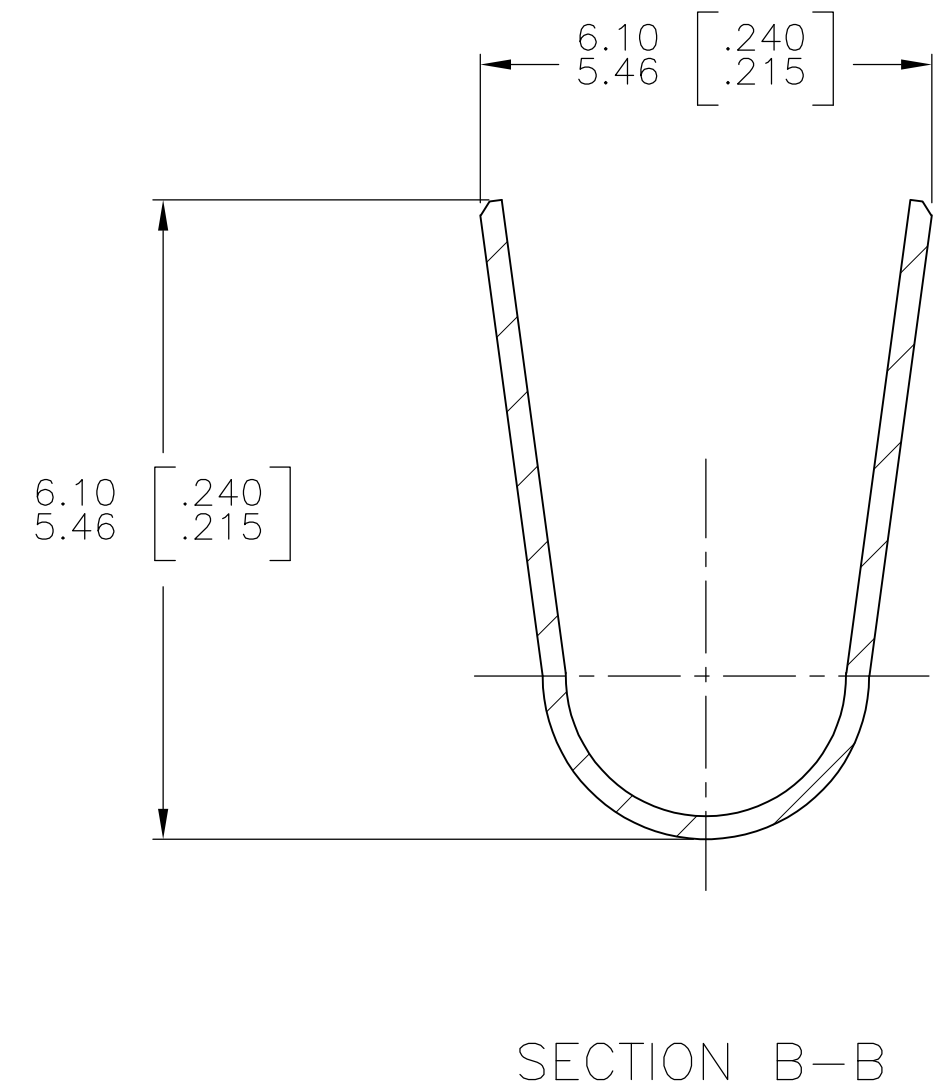
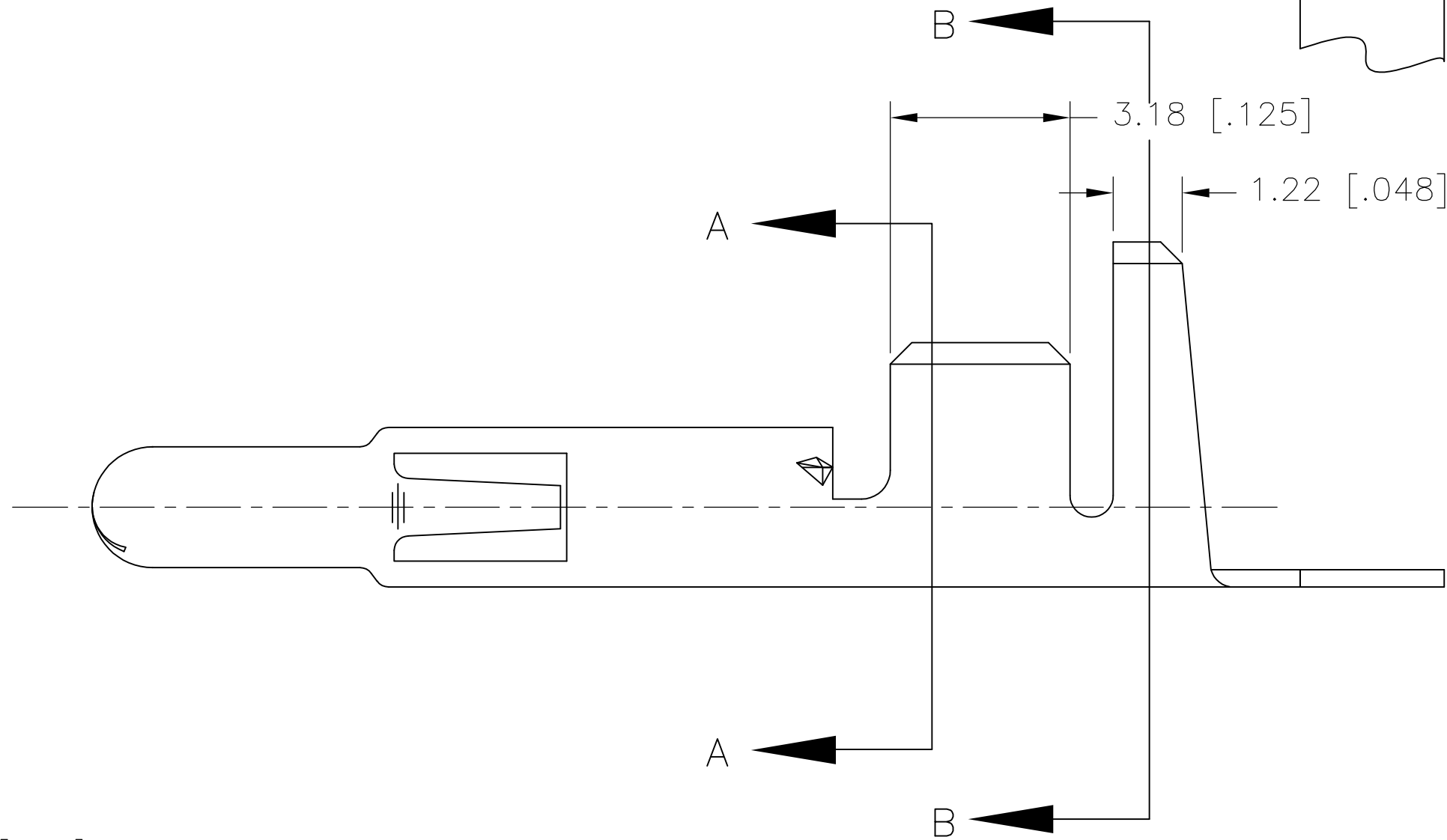
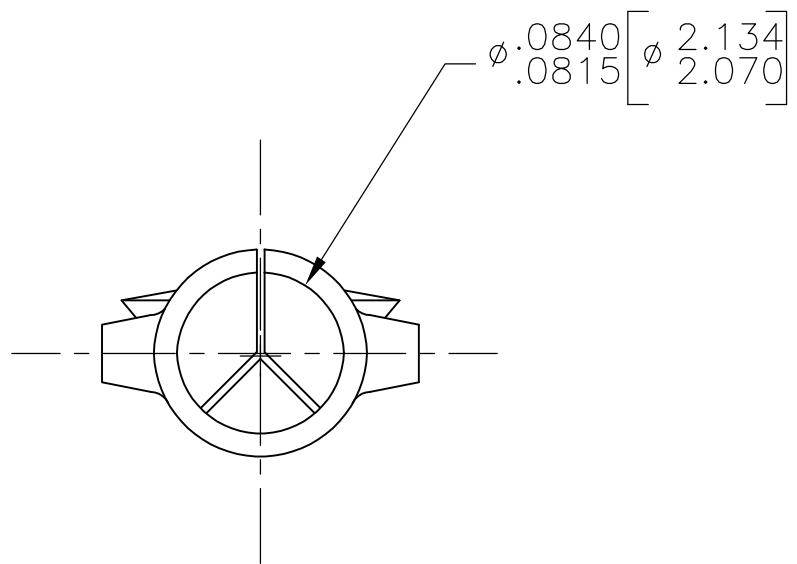
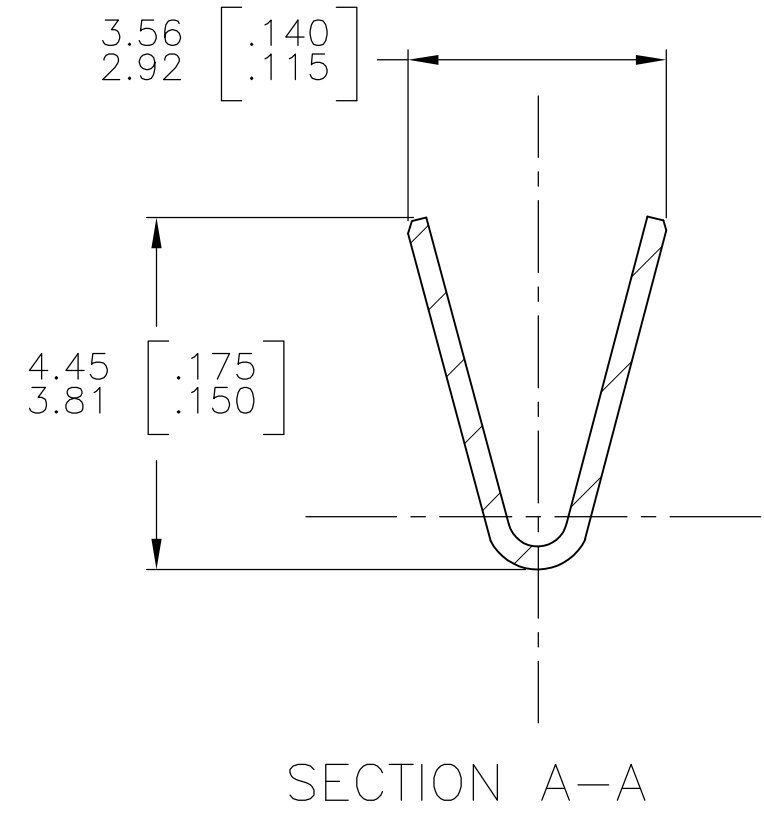
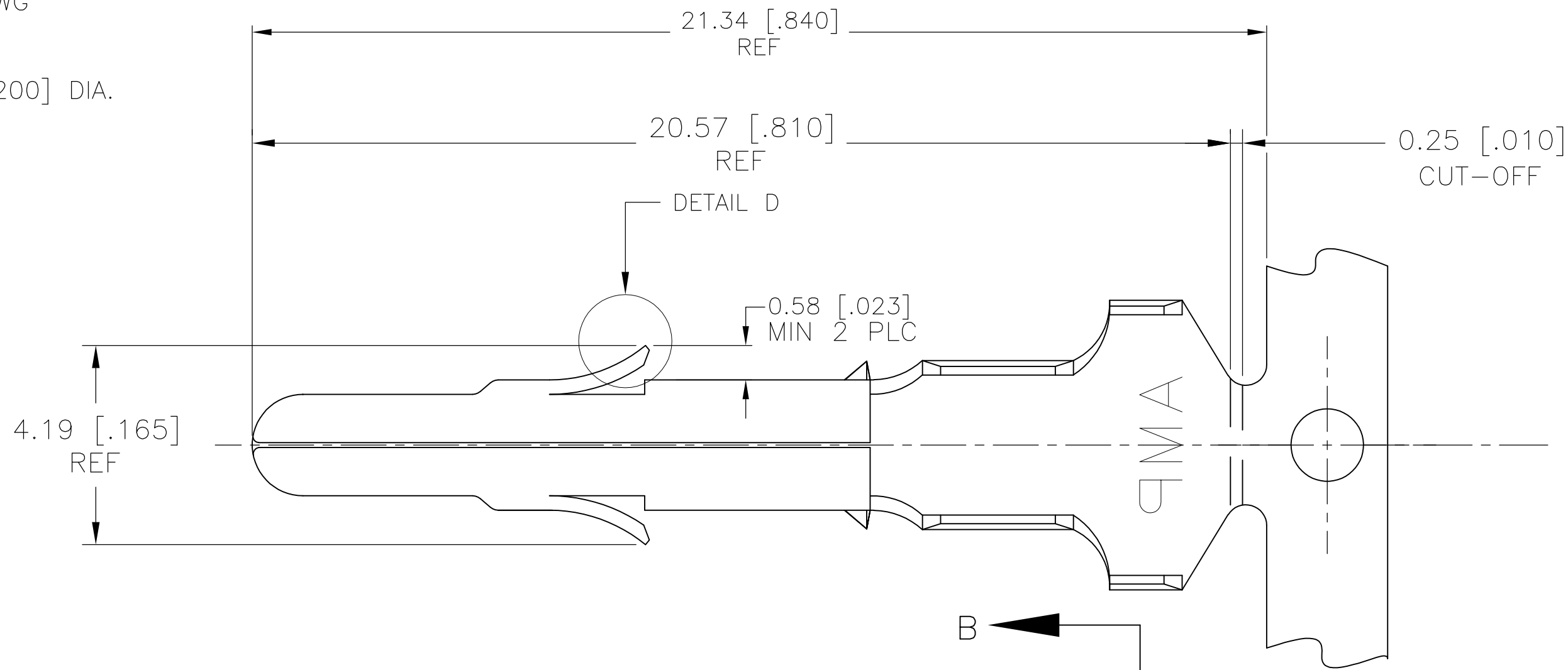


THIS DRAWING IS UNPUBLISHED. RELEASED FOR PUBLICATION
 © COPYRIGHT - By - ALL RIGHTS RESERVED.

LOC		DIST		REVISIONS			
P	LTR	DESCRIPTION		DATE	DWN	APVD	
CM	00	V1	REVISED PER ECR-18-000509	17JAN2018	BDA	KR	

- 1 WIRE RANGE: 18-14 AWG
- 2 INSULATION RANGE:
3.30-5.08 [.130-.200] DIA.



LOOSE PIECE REFERENCE	FINISH	MATERIAL	PART NUMBER
350918-3	PRE-TIN	.012 PH. BRZ.	350873-3
---	PRE-TIN	.012 BRASS	350873-1

THIS DRAWING IS A CONTROLLED DOCUMENT.		DWN	S. HOOVER	04-FEB-2003	 TE Connectivity	NAME		PIN, UNIVERSAL MATE-N-LOK™	
DIMENSIONS: mm [INCHES]		CHK	S. RIDGILL	04-FEB-2003		APVD		S. RIDGILL	
TOLERANCES UNLESS OTHERWISE SPECIFIED:		APVD	S. RIDGILL	04-FEB-2003		PRODUCT SPEC		APPLICATION SPEC	
0 PLC ±		MATERIAL		FINISH		WEIGHT	SCALE	10:1	SHEET
1 PLC ±		CUSTOMER DRAWING		SCALE	10:1	SHEET	1 OF 1	REV	V1
2 PLC ±		SCALE		10:1	SHEET	1 OF 1	REV	V1	
3 PLC ± 0.38 [.015]		SIZE		A2	CAGE CODE	00779	DRAWING NO	C=350873	RESTRICTED TO
4 PLC ±		DRAWING NO		A2	CAGE CODE	00779	C=350873	RESTRICTED TO	
ANGLES ± 0°30'		RESTRICTED TO							

单击下面可查看定价，库存，交付和生命周期等信息

[>>TE Connectivity\(泰科\)](#)