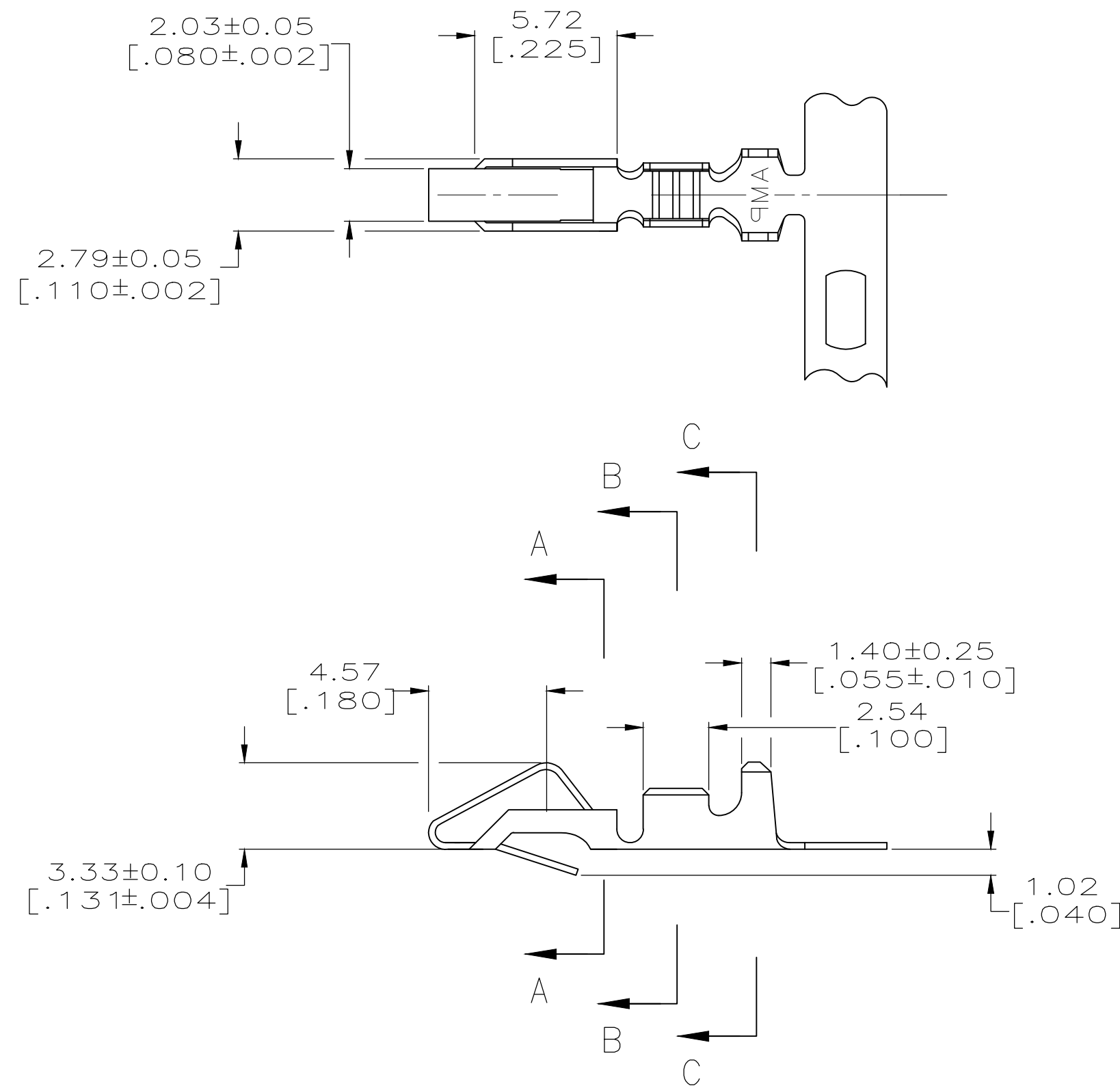
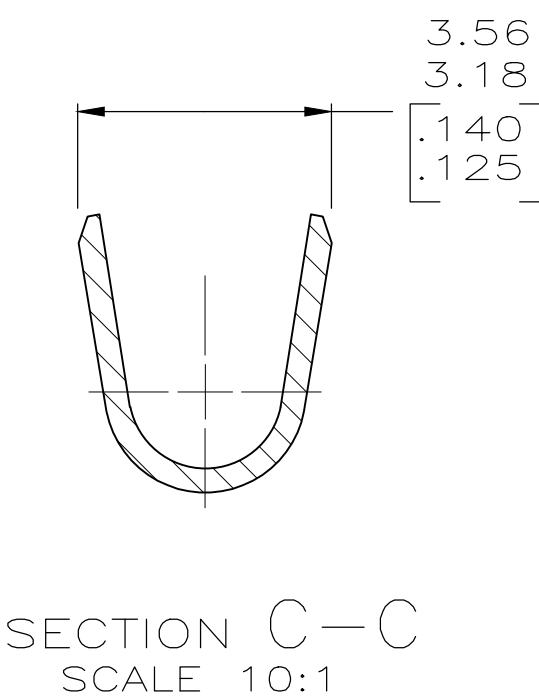
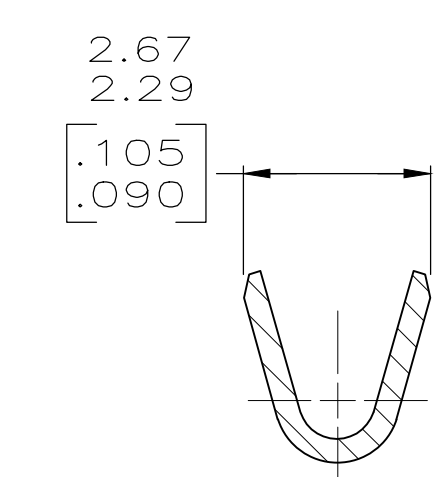
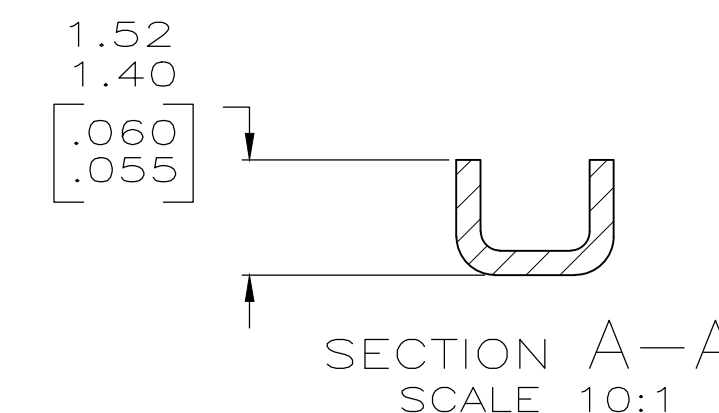


THIS DRAWING IS UNPUBLISHED. RELEASED FOR PUBLICATION
 © COPYRIGHT - By - ALL RIGHTS RESERVED.

REVISIONS					
P	LTR	DESCRIPTION	DATE	DWN	APVD
S		REVISED PER ECR-18-019874	19MAR2019	BDA	SG



- ① 0.00203 [.000080] MIN MATTE TIN-LEAD OVER 0.00127 [.000050] MIN NICKEL.
- ② 0.00330 [.000130] MAX PRE-TIN.
- ③ 0.00013 [.000005] GOLD OVER 0.00127 [.000050] MIN NICKEL ALL OVER AND 0.00076 [.000030] MIN GOLD ON CONTACT AREA.
- 4. WIRE RANGE: 0.2-0.9mm² (24-18 AWG). INSULATION RANGE: 2.79 [.110] DIA MAX.
- 5. DIMENSIONS IN BRACKETS ARE IN INCHES.
- ⑥ 0.00013 [.000005] GOLD OVER 0.00127 [.000050] MIN NICKEL ALL OVER AND 0.00038 [.000015] MIN GOLD ON CONTACT AREA.
- ⑦ 0.00203 [.000080] MIN MATTE TIN OVER 0.00127 [.000050] MIN NICKEL.
- ⑧ OBSOLETE



---	⑦	3-350980-1
---	⑥	350980-4
SEE 770258-1	③	350980-3
---	②	350980-2
SEE 640707-1	①	⑧ 350980-1
LOOSE PIECE	FINISH	PART NO

THIS DRAWING IS A CONTROLLED DOCUMENT.		DWN K. SALMON 11-2-92	TE Connectivity Ltd.	
DIMENSIONS: INCHES		CHK R. SWING 11-2-92		
TOLERANCES UNLESS OTHERWISE SPECIFIED:		APVD E. BEILES 11-2-92	NAME RECEPTACLE, SL-156	
0 PLC ± -	1 PLC ± -	PRODUCT SPEC	-	
2 PLC ± 0.13 [.005]	3 PLC ± -	APPLICATION SPEC	-	
4 PLC ± -	ANGLES ± -	WEIGHT	SIZE A2	CAGE CODE 00779
MATERIAL 0.33 [.013] BRASS	FINISH SEE TABLE	0.000000	DRAWING NO C-350980	RESTRICTED TO -
CUSTOMER DRAWING			SCALE 5:1	SHEET 1 of 1

单击下面可查看定价，库存，交付和生命周期等信息

[>>TE Connectivity\(泰科\)](#)