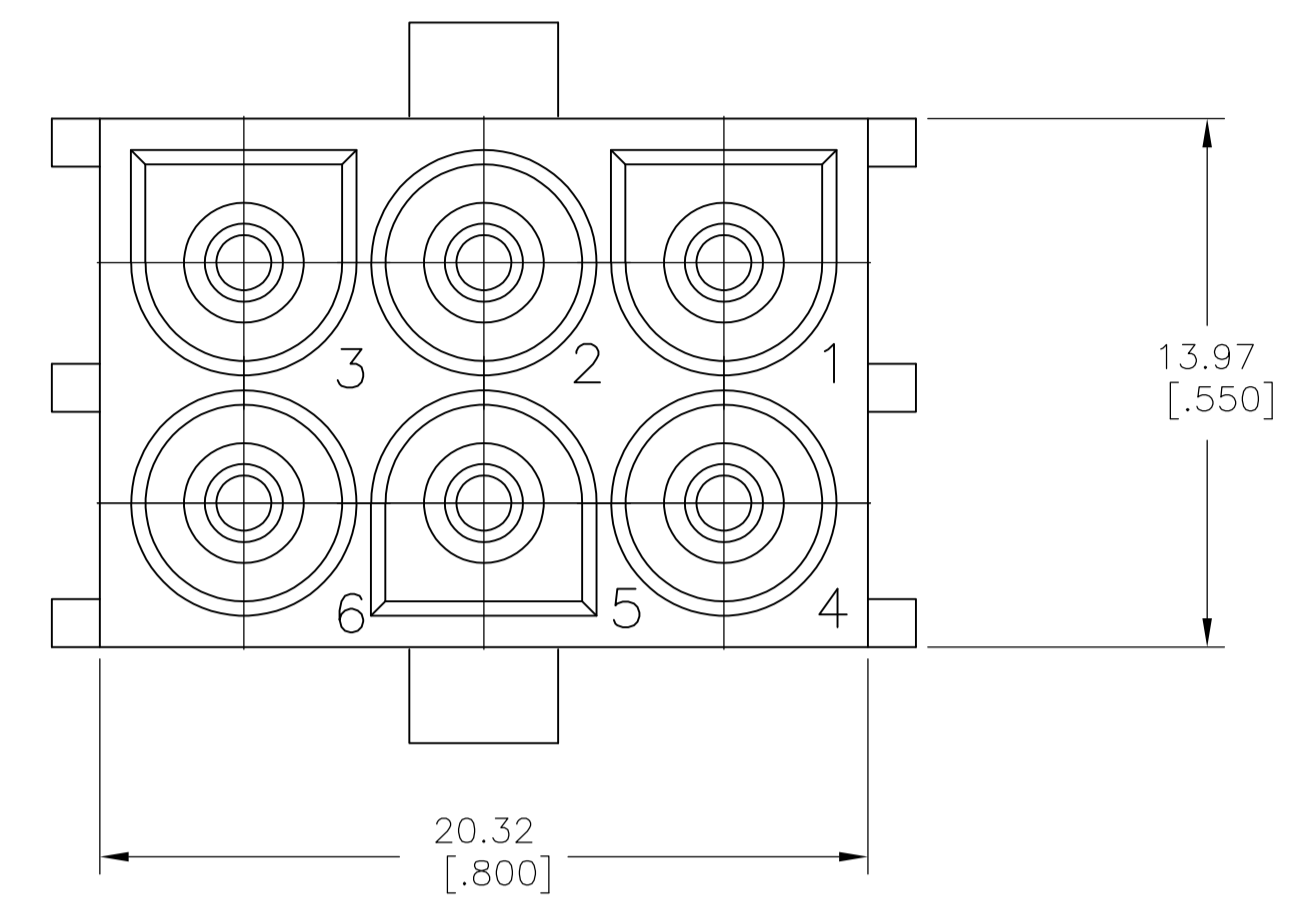
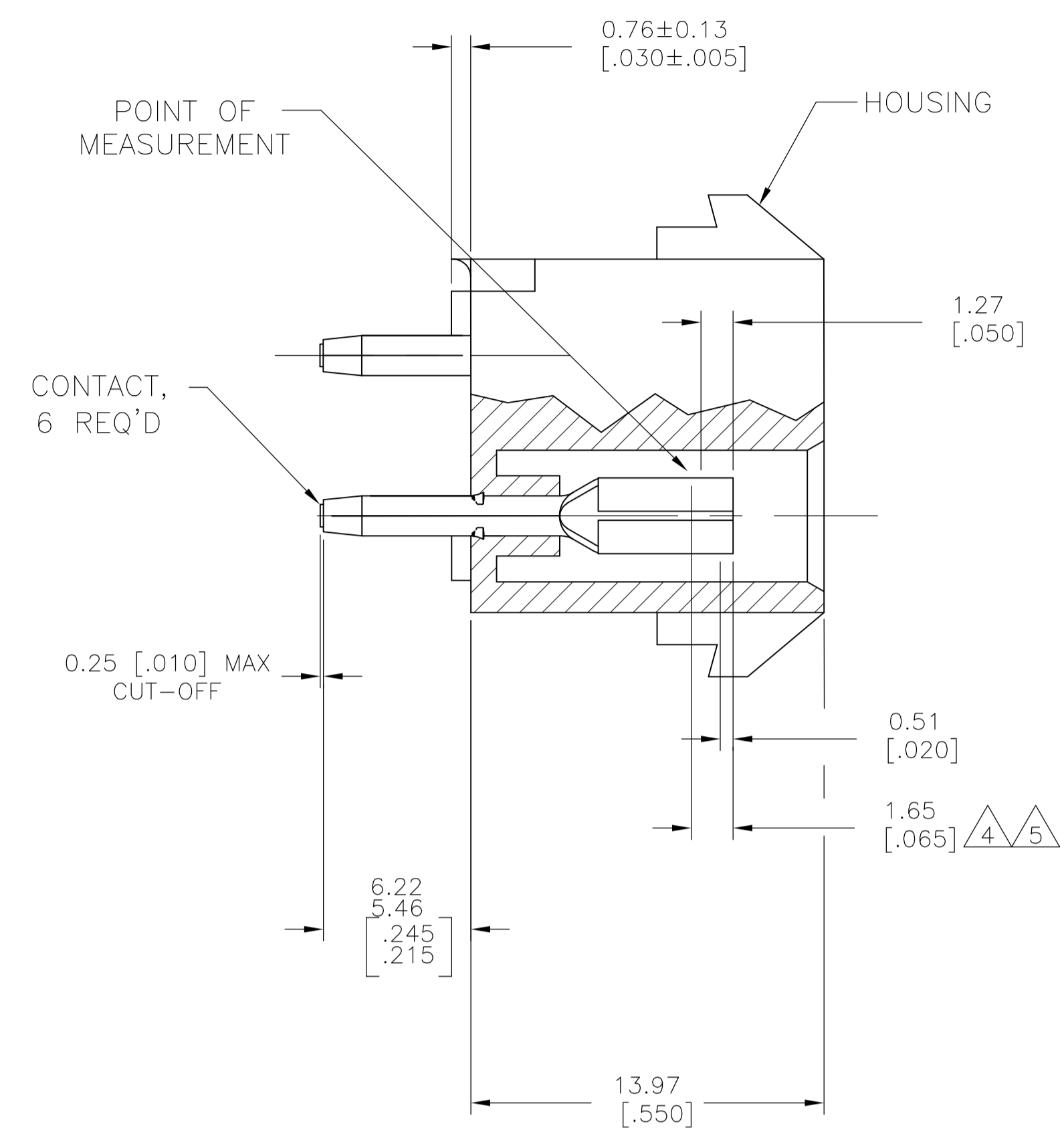
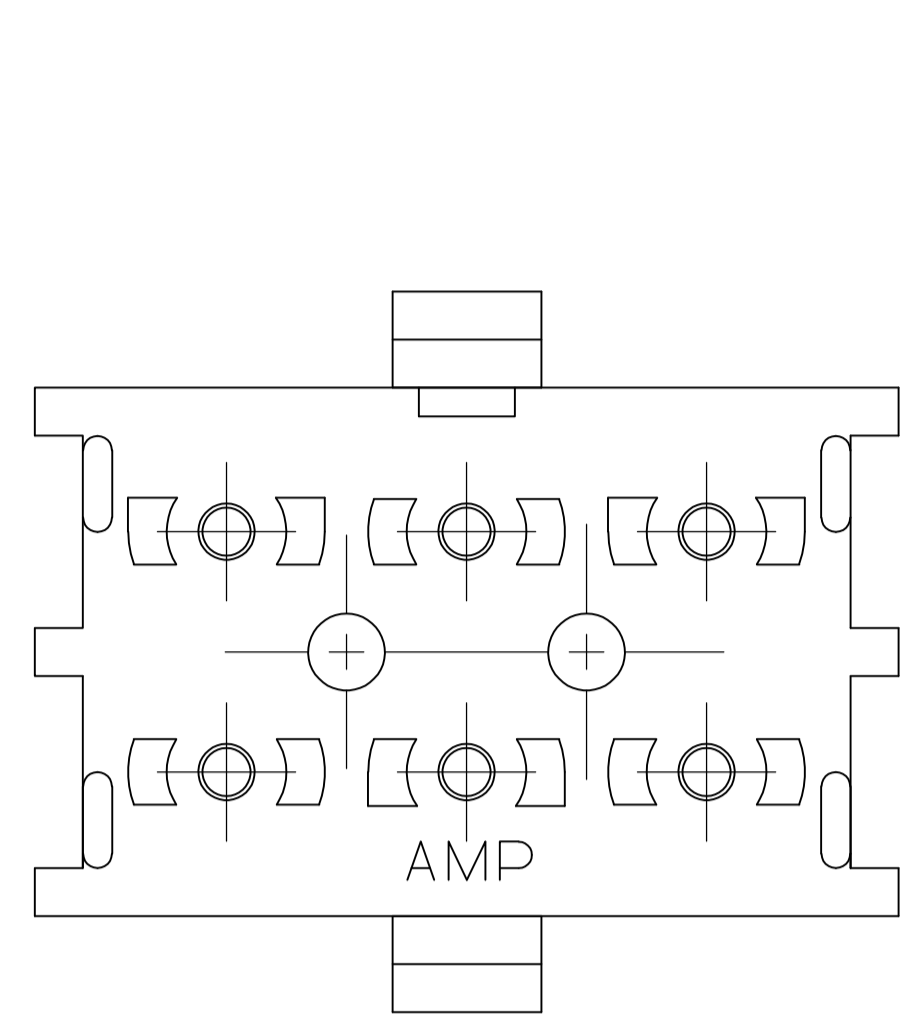
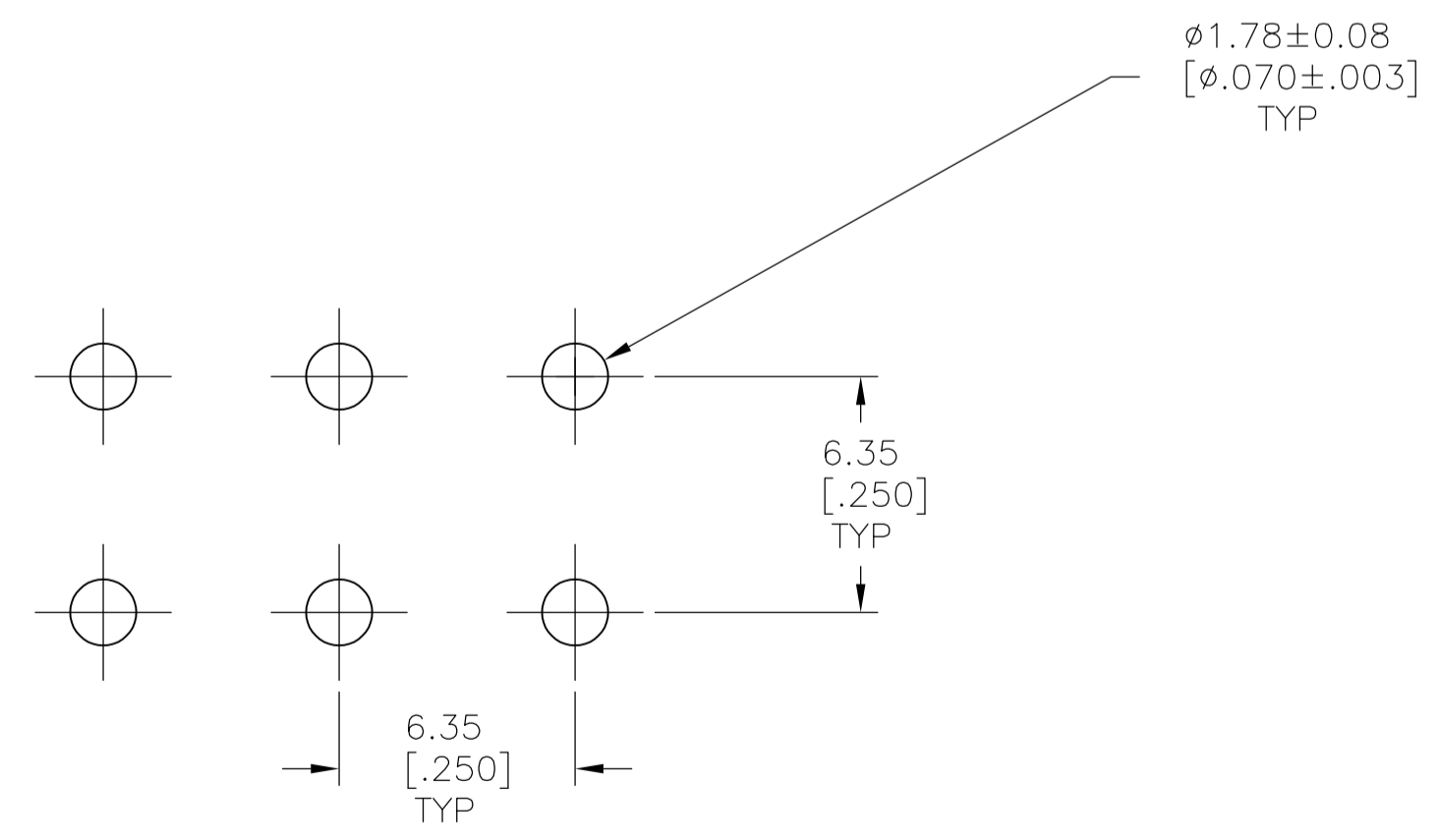


LOC	DIST	REVISIONS				
CM	00	REV	DESCRIPTION	DATE	BY	APP'D
		G2	REVISED PER ECO-08-019746	13AUG08	HMR	DC
		G3	REV PER ECO-09-021826	08SEP09	KK	AEG



- 1 MATES WITH AMP CONNECTOR PART NO 480704.
- (2) FLAME RETARDANT CLASSIFICATION OF MATERIAL IS 94V-2.
- 3 PARTS MUST COMPLY WITH AMP SOLDERABILITY SPEC 109-11-3.
- (4) CONTACT IS STAMPED FROM PRE-PLATED STOCK WHICH IS PLATED OVERALL WITH 0.00127 [.000050] NICKEL, THEN STRIPED WITH 0.00076 [.000030] GOLD IN CONTACT AREA INDICATED AND TIN-LEAD ON SOLDER TAIL END.
- (5) CONTACT IS PLATED OVERALL WITH 0.00127 [.000050] NICKEL, THEN 0.00076 [.000030] GOLD OVER CONTACT LENGTH INDICATED AND MATTE TIN ON SOLDER TAIL END.
- (6) OBSOLETE PARTS: OBSOLETE CIS STREAMLINING PER D.RENAUD/D.SINISI



RECOMMENDED LAYOUT FOR 3.18 [.125] THICK PC BOARD

CONTACT	HOUSING	PART NO
(6) OBSOLETE PH BRZ GOLD (5)	NYLON, NATURAL (2)	350989-5
PH BRZ TIN	NYLON, NATURAL (2)	350989-4
PH BRZ GOLD (4)	NYLON, NATURAL (2)	350989-3

METRIC

THIS DRAWING IS A CONTROLLED DOCUMENT.

DIMENSIONS: mm [INCHES]	TOLERANCES UNLESS OTHERWISE SPECIFIED:	DIN K. WHITAKER 11OCT2005	11OCT2005	Tyco Electronics Corporation Harrisburg, PA 17105-3608
0 PLC ±	1 PLC ±	CHK S. RIDGILL 11OCT2005	11OCT2005	APPROVED S. RIDGILL 11OCT2005
2 PLC ±	3 PLC ± 0.13 [.005]	NAME	NAME	SOCKET HEADER ASSEMBLY, 6 CIRCUIT, LONG TAIL, UNIVERSAL MATE-N-LOK (TM)
4 PLC ±	ANGLES ±	APPLICATION SPEC	SIZE	SCALE CODE DRAWING NO
MATERIAL SEE TABLE	FINISH SEE TABLE	WEIGHT	A1	00779 C=350989
CUSTOMER DRAWING		SCALE	5:1	SHEET 1 OF 1 REV G3

单击下面可查看定价，库存，交付和生命周期等信息

[>>TE Connectivity\(泰科\)](#)