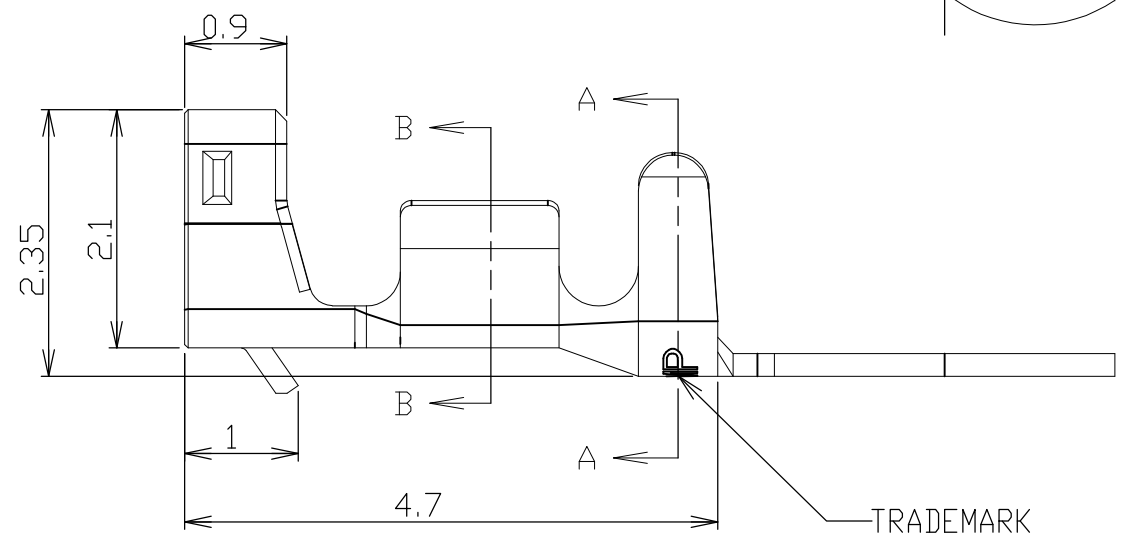
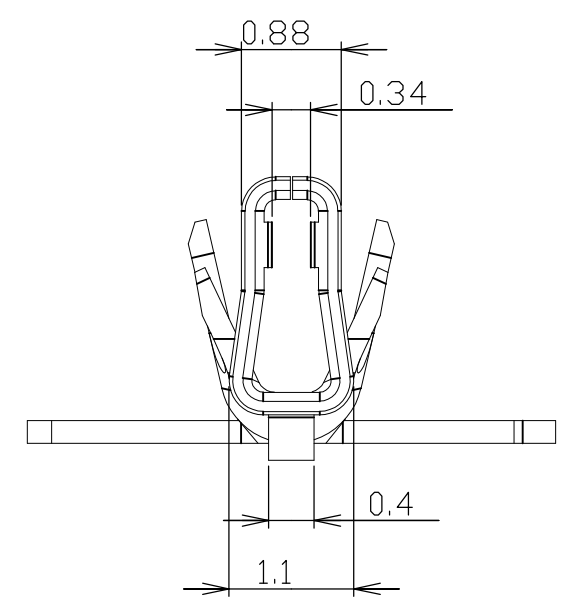
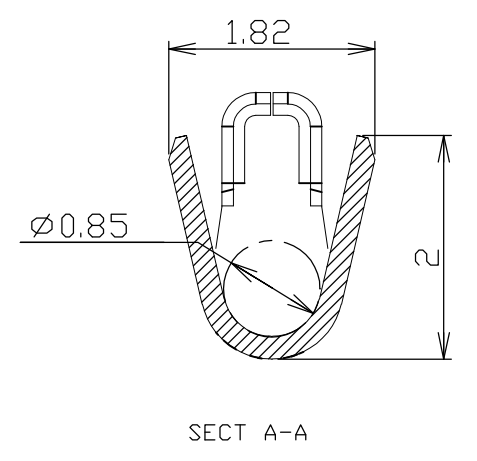
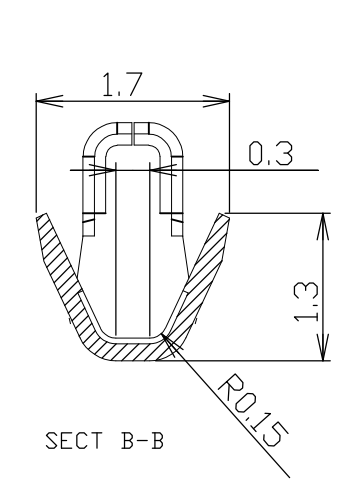
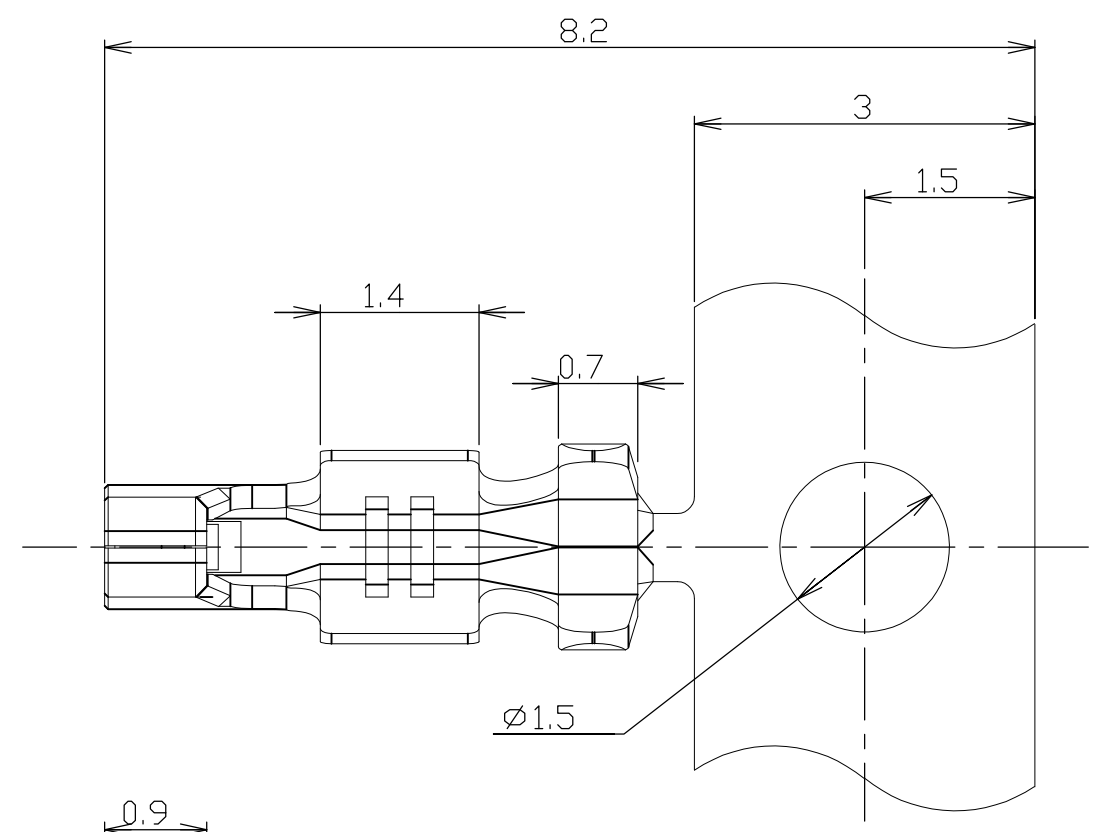
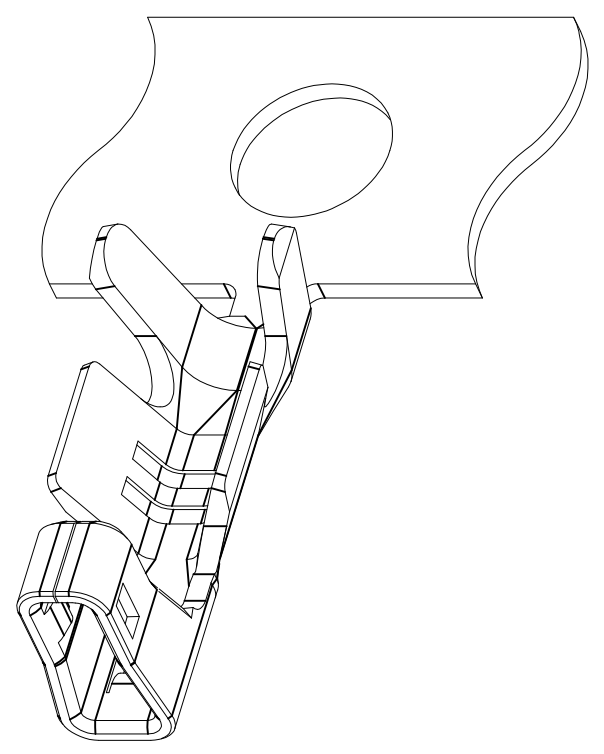


THIS DRAWING IS UNPUBLISHED. RELEASED FOR PUBLICATION
 © COPYRIGHT - By - ALL RIGHTS RESERVED.

LOC	DIST	REVISIONS					
ES	00	P	LTR	DESCRIPTION	DATE	DWN	APVD
				C1 REVISED PER ECO-11-005033	25MAR11	RK	HMR



NOTES:
 1. LOOSE PIECE CONTACT P/N:353918-1
 2. USE WITH HOUSING P/N:X-353908-X

353907-1 AS SHOWN

GENERAL TOLERANCE

10 ≥	: ±0.2
30 ≥ > 10	: ±0.25
100 ≥ > 30	: ±0.3
ANGLES: ±3°	

THIS DRAWING IS A CONTROLLED DOCUMENT.

DIMENSIONS: mm	TOLERANCES UNLESS OTHERWISE SPECIFIED:
	0 PLC ± -
	1 PLC ± -
	2 PLC ± -
	3 PLC ± -
	4 PLC ± -
	ANGLES ± -
MATERIAL PHOS-BRONZE, 0.2mm THK	FINISH PRE-TIN

WIRE RANGE 0.22mm ² ~ 0.08mm ² (AWG#24~AWG#28)		INSULATION DIA φ1.05~φ0.85	
DWN H.HOSHINO 26.APR'97	CHK J.TANIGAWA 26.APR'97	TE Connectivity AMP MINI COMMON TERMINATED (CT) CONNECTOR 1.5mm PITCH RECEPTACLE CONTACT(AWG#24~#28), CRIMP TYPE	
APVD WL CHOO	PRODUCT SPEC 108-60025		
APPLICATION SPEC 114-5245	WEIGHT 0.02g/ea	SIZE A3	CAGE CODE 00779
CUSTOMER DRAWING		DRAWING NO C-353907	RESTRICTED TO
SCALE NON		SHEET 1 OF 1	REV C1

单击下面可查看定价，库存，交付和生命周期等信息

[>>TE Connectivity\(泰科\)](#)