

THIS DRAWING IS UNPUBLISHED.

RELEASED FOR PUBLICATION

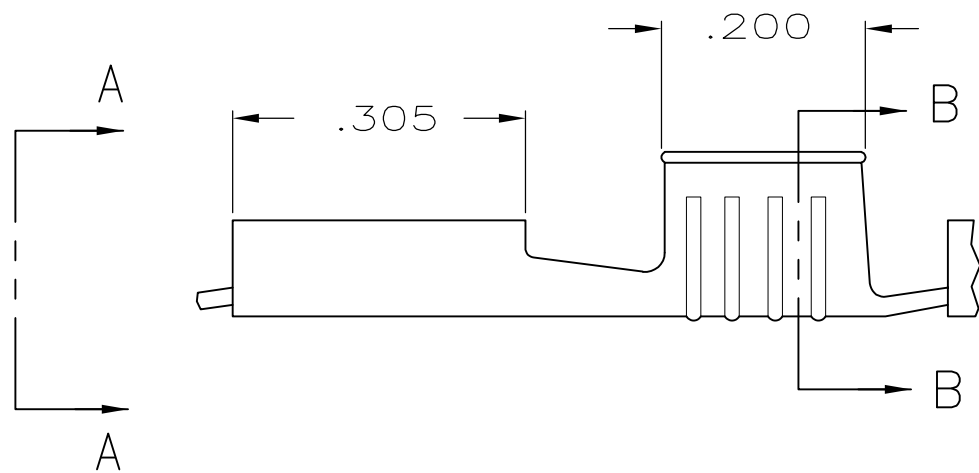
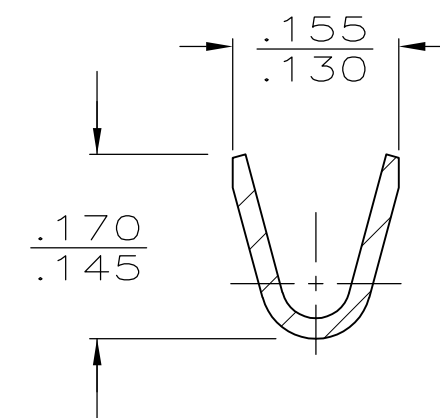
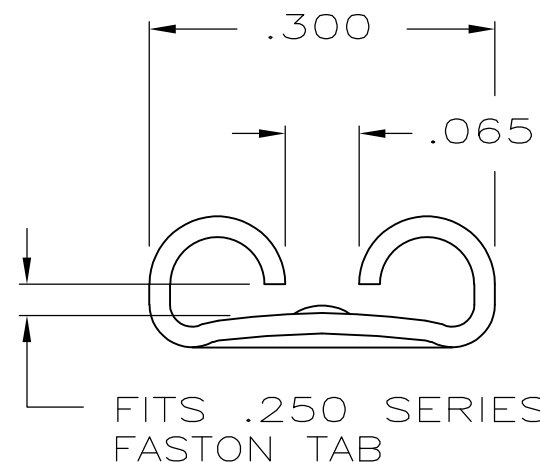
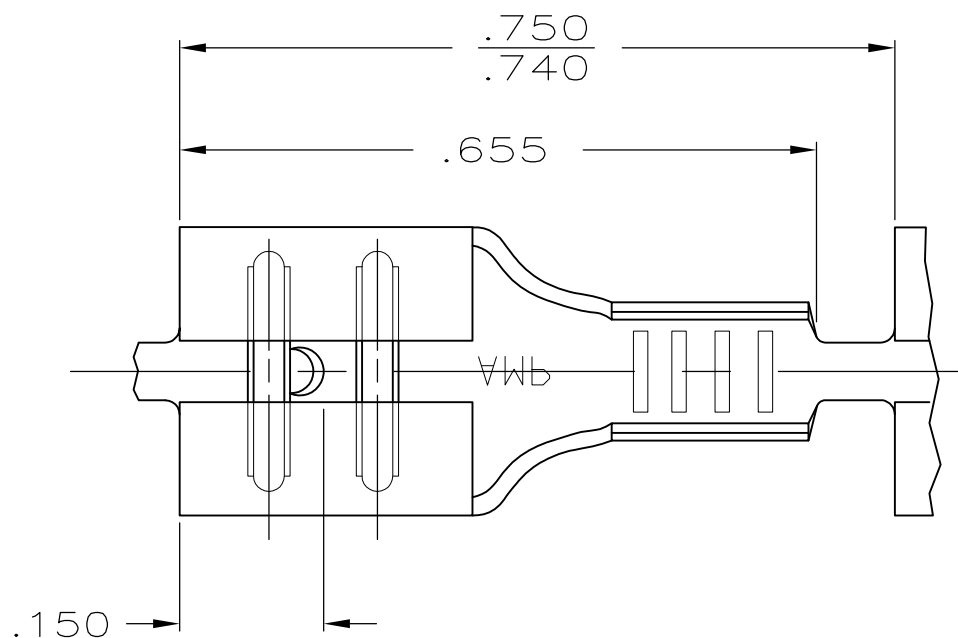
ALL RIGHTS RESERVED.

© COPYRIGHT - By -

LOC AF DIST 50

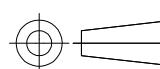
REVISIONS

P	LTR	DESCRIPTION	DATE	DWN	APVD
	U	REVISED PER ECR-12-013445	18OCT12	KH	PD



THIS DRAWING IS A CONTROLLED DOCUMENT.

DIMENSIONS: INCHES



TOLERANCES UNLESS OTHERWISE SPECIFIED:

0 PLC	± -
1 PLC	± -
2 PLC	± -
3 PLC	± .015
4 PLC	± -
ANGLES	± -

MATERIAL BRASS

FINISH TIN

DWN	JR RUTH	5/28/86
CHK	MS FEHER	5/30/86
APVD	C MEYERS	5/30/86
PRODUCT SPEC	-	
APPLICATION SPEC	-	
WEIGHT	-	

18-14	.032 ±.001	41194
WIRE SIZE	TAB THK.	PART NO



NAME			.250 SERIES FASTON RECEPTACLE		
SIZE	CAGE CODE	DRAWING NO	RESTRICTED TO		
A3	00779	C-41194	-		

CUSTOMER DRAWING SCALE 5:1 SHEET 1 OF 1 REV U

单击下面可查看定价，库存，交付和生命周期等信息

[>>TE Connectivity\(泰科\)](#)