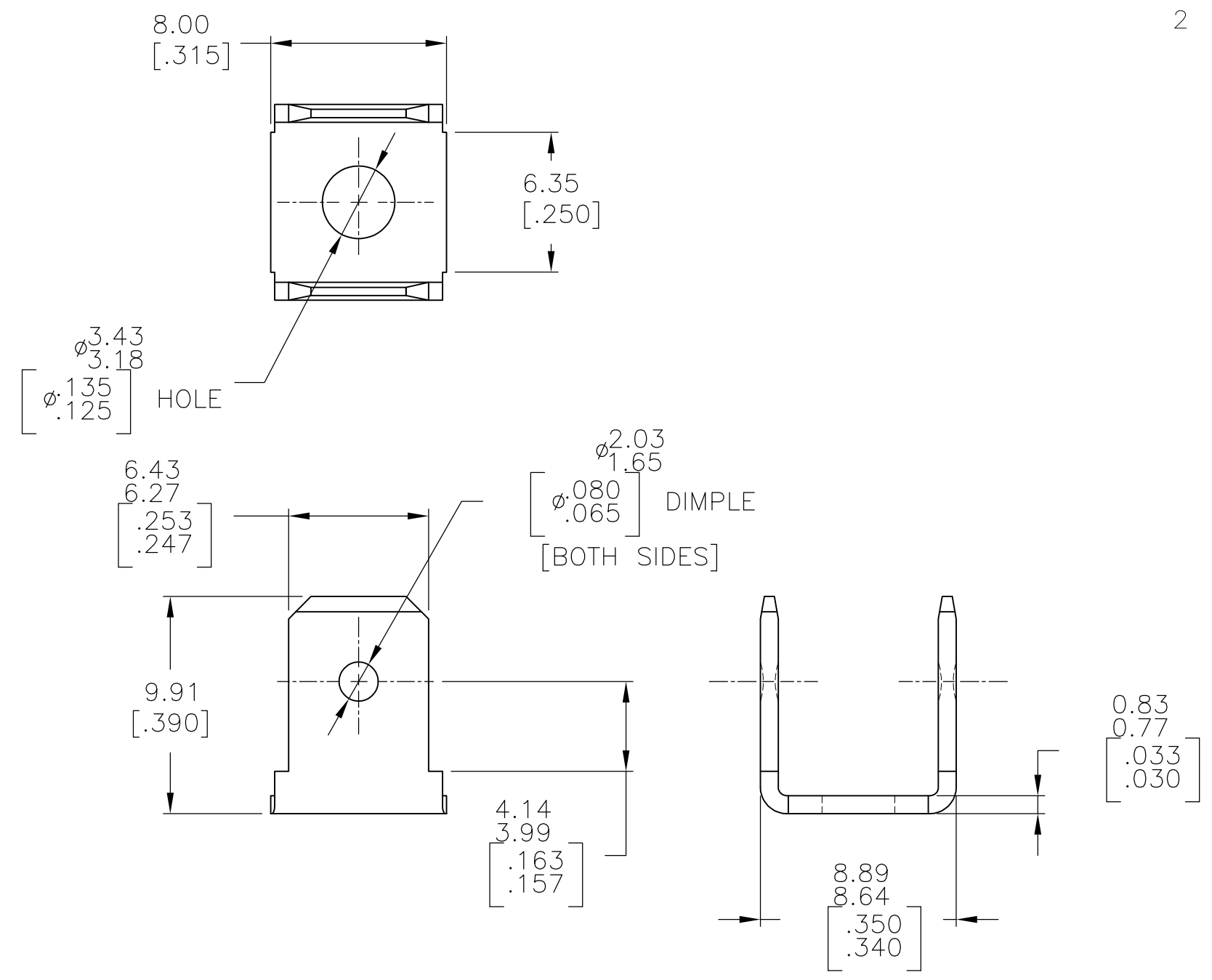


THIS DRAWING IS UNPUBLISHED. RELEASED FOR PUBLICATION
 © COPYRIGHT - By - ALL RIGHTS RESERVED.

LOC		DIST		REVISIONS			
P	LTR	DESCRIPTION		DATE	DWN	APVD	
	AH	REVISED PER ECR-13-011489		10DEC2013	KH	PD	

- 1 DIMENSIONS IN BRACKETS ARE IN INCHES.
- 2 SUPPLIED IN LOOSE PIECE.



41290
PART NUMBER

THIS DRAWING IS A CONTROLLED DOCUMENT.		DWN	JR RUTH	8/12/86	STE TE Connectivity			
DIMENSIONS: mm [INCHES]		CHK	G YETTER	8/12/86				
TOLERANCES UNLESS OTHERWISE SPECIFIED:		APVD	C MEYERS	8/13/86	NAME			
<ul style="list-style-type: none"> 0 PLC ± - 1 PLC ± - 2 PLC ± - 3 PLC ± 0.25 [.010] 4 PLC ± - ANGLES ± - 		PRODUCT SPEC		.250 SERIES FASTON TAB				
MATERIAL BRASS		FINISH		APPLICATION SPEC		RESTRICTED TO		
		WEIGHT		SIZE	CAGE CODE	DRAWING NO	A3 00779 C-41290	
		CUSTOMER DRAWING		SCALE	SHEET	REV	4:1 1 OF 1 AH	

单击下面可查看定价，库存，交付和生命周期等信息

[>>TE Connectivity\(泰科\)](#)