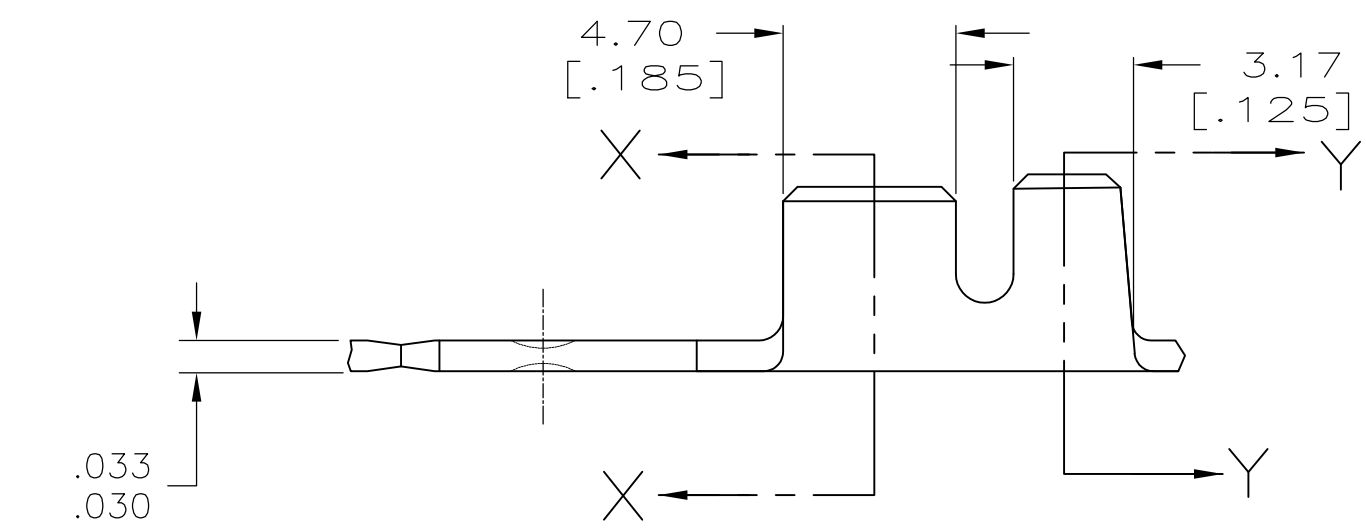
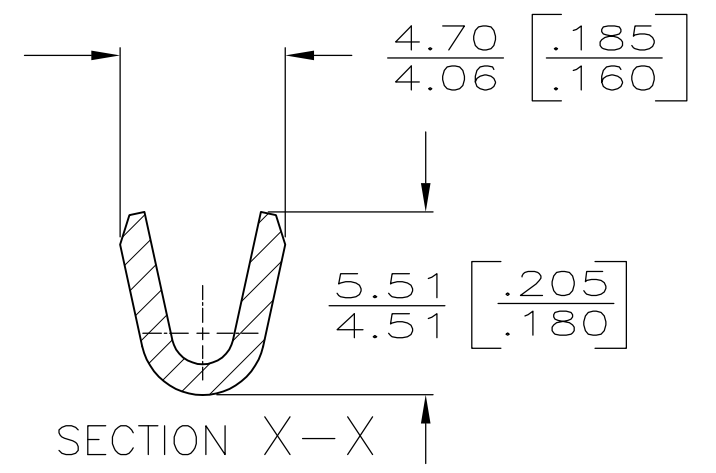
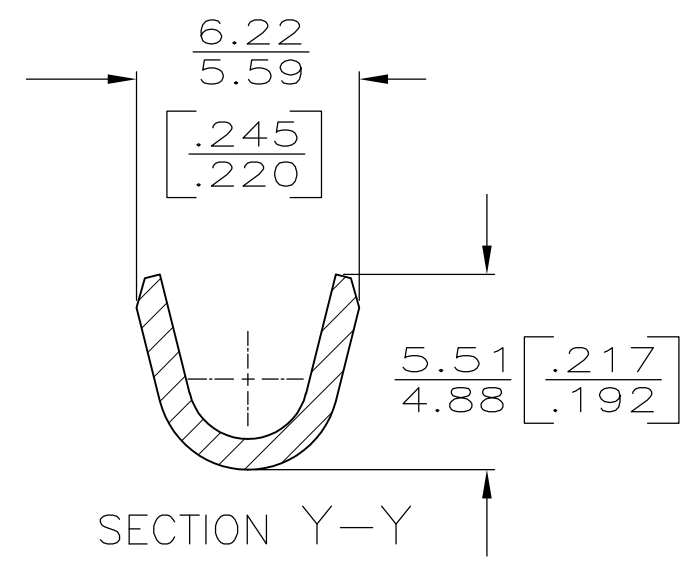
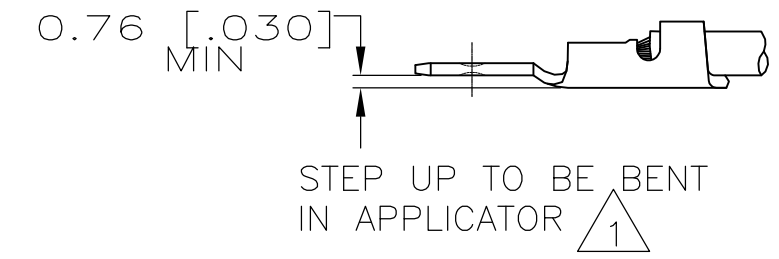
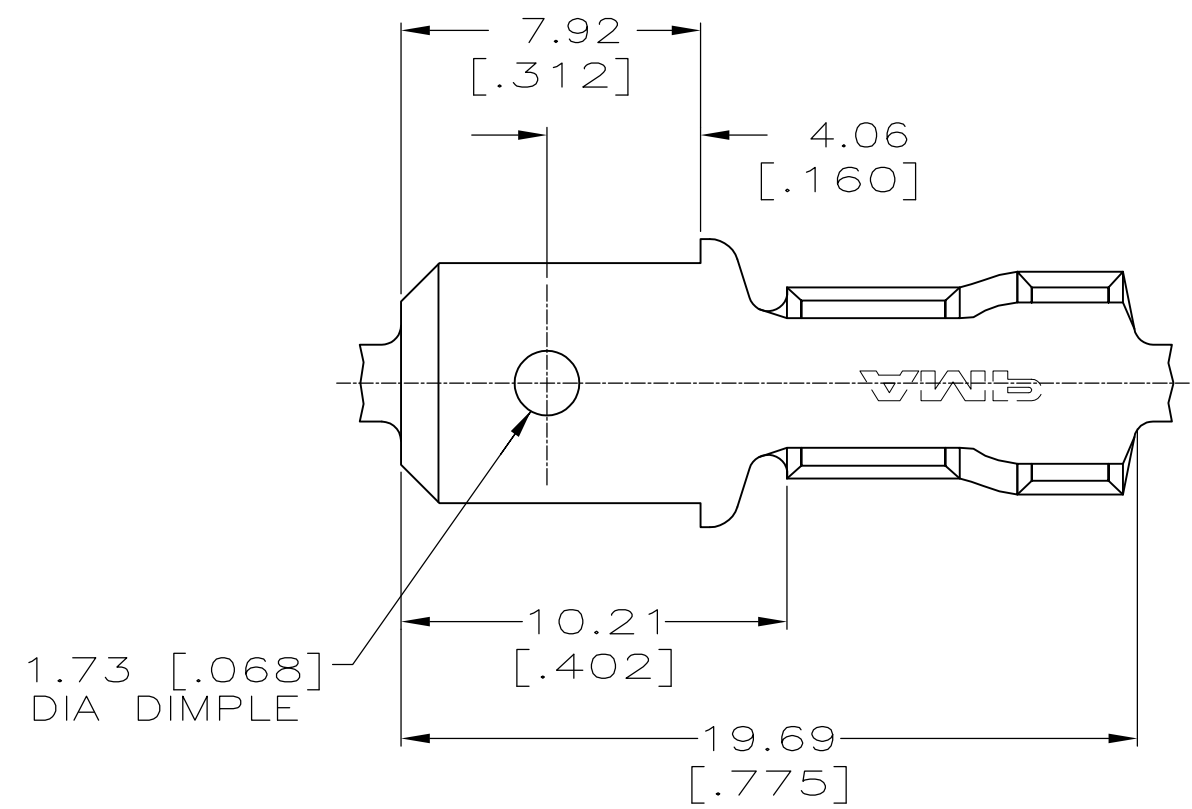


THIS DRAWING IS UNPUBLISHED. RELEASED FOR PUBLICATION
 © COPYRIGHT - By - ALL RIGHTS RESERVED.

LOC	DIST	REVISIONS			
P	LTR	DESCRIPTION	DATE	DWN	APVD
AF	50	P			
		P	REVISED PER ECR-13-011489	10DEC2013	KH PD

- 1 SUFFIX LETTER MUST BE USED ONLY WHEN ORDERING APPLICATOR TOOLING FOR STEPPED UP VERSION.
- 2 CONTINUOUS STRIP ON REELS.
- 3 FOREIGN PRODUCTION ONLY.
- 4 WIRE SIZE IS 0.8-2.0mm², [18-14] AWG.
- 5 INSULATION RANGE IS 3.05-4.32 [.120-.170] DIA.



OBSOLETE	SILVER	41411-1-3
41411 B	-	41411
TERMINAL NUMBER STEPPED UP	FINISH	PART NO.

THIS DRAWING IS A CONTROLLED DOCUMENT.		DWN	JR RUTH	2/5/92	STE TE Connectivity			
DIMENSIONS: mm [INCHES]		CHK	MS FEHER	2/5/92				
TOLERANCES UNLESS OTHERWISE SPECIFIED:		APVD	D REINER	1/5/92	NAME			
0 PLC ± -		PRODUCT SPEC		TAB, FASTON, 6.35 [.250] SERIES				
1 PLC ± -		APPLICATION SPEC		-				
2 PLC ± -		WEIGHT		SIZE		CAGE CODE	DRAWING NO	RESTRICTED TO
3 PLC ± 0.38 [.015]		-		A3		00779	C-41411	-
4 PLC ± -		CUSTOMER DRAWING		SCALE		SHEET		REV
ANGLES ± -		-		5:1		1 OF 1		P
MATERIAL		FINISH						
BRASS		SEE TABLE						

单击下面可查看定价，库存，交付和生命周期等信息

[>>TE Connectivity\(泰科\)](#)