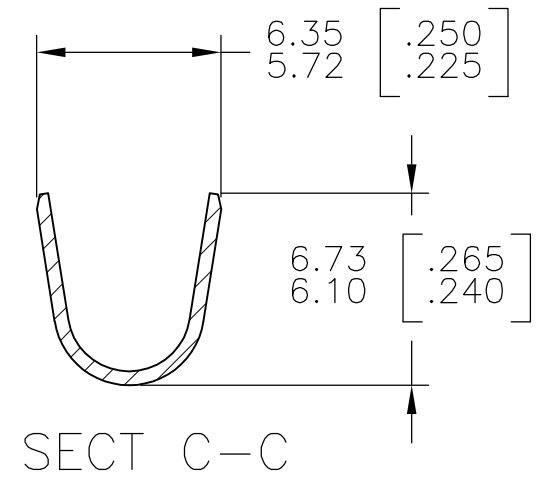
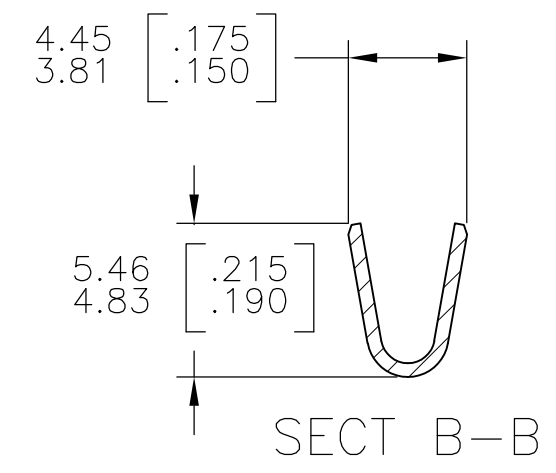
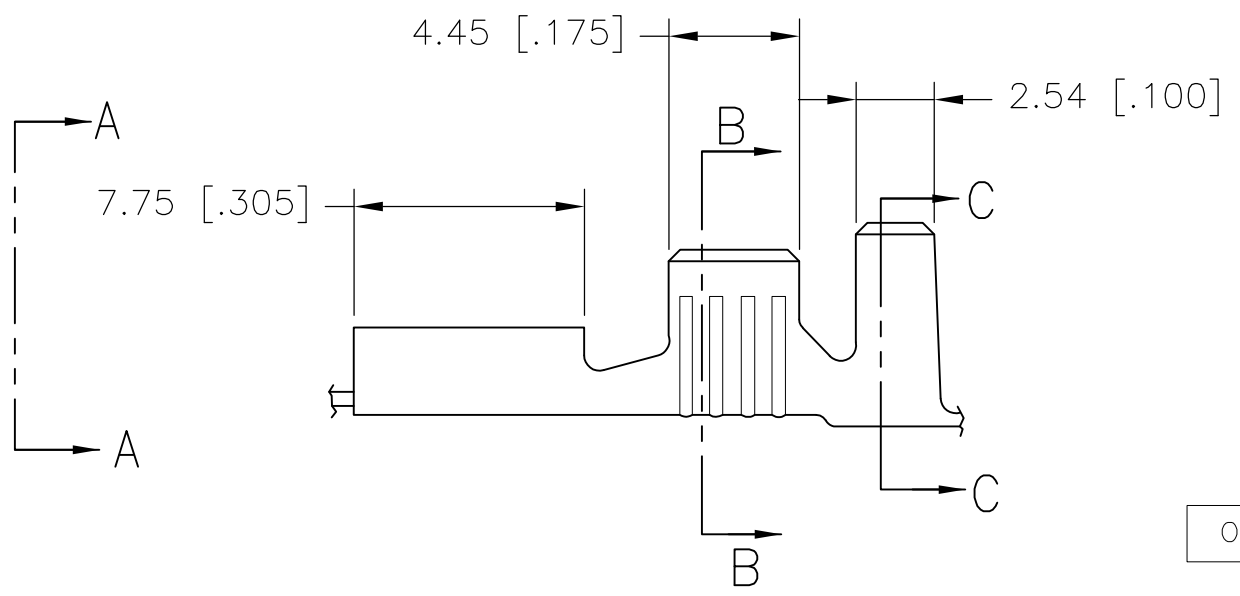
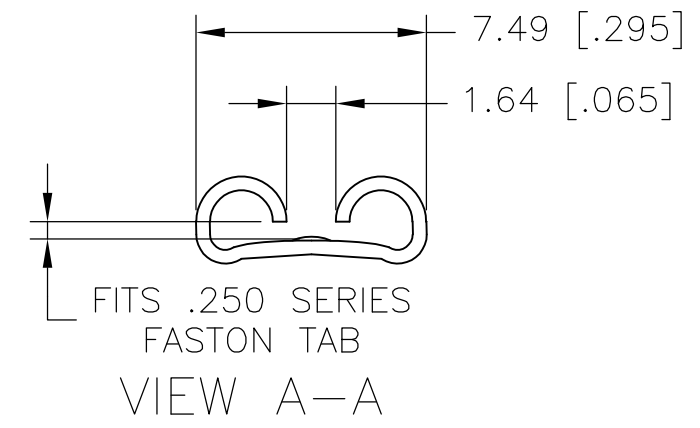
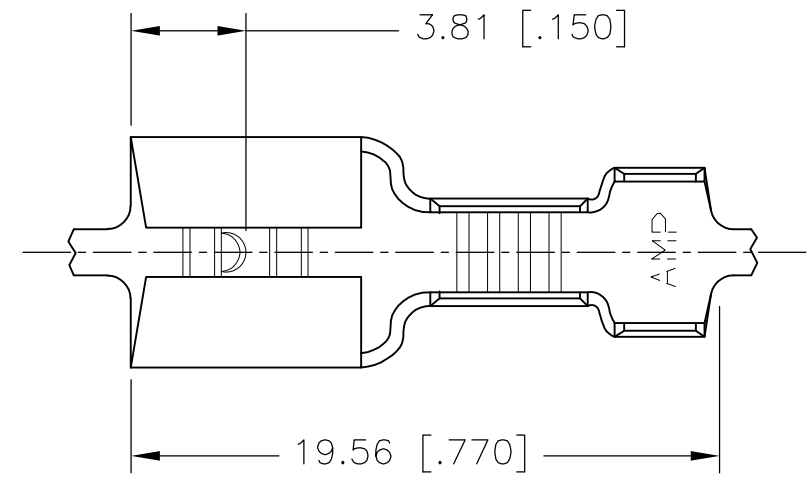


THIS DRAWING IS UNPUBLISHED. RELEASED FOR PUBLICATION
 © COPYRIGHT - By - ALL RIGHTS RESERVED.

LOC	DIST	REVISIONS					
AF	50	P	LTR	DESCRIPTION	DATE	DWN	APVD
			Y1	REVISED PER ECR-12-013445	26NOV2012	KH	PD

- 1 DIM'S IN BRACKETS ARE IN INCHES.
- 2 CONTINUOUS STRIP ON REELS.



OBSOLETE	3.81-5.08 [.150-.200] DIA	2.0 - 5.0mm2 [14-10] AWG	0.81 [.032]	NICKEL	41449-2
	INSUL RANGE	WIRE SIZE	MATING TAB THK ±0.025[.001]	-	41449
				FINISH	PART NO.

0	5.33 [.210]	5.59 [.220]	F	3.30 [.130]	2.90 [.114]	5.0mm2[10]
					2.39 [.094]	3.0mm2[12]
					2.08 [.082]	2.0mm2[14]
TYPE	WIDTH	STRIP LENGTH ±0.38 [±.015]	TYPE	WIDTH	±.051[±.002] HEIGHT	WIRE
INSUL BARREL CRIMP	WIRE BARREL CRIMP					

THIS DRAWING IS A CONTROLLED DOCUMENT.

DIMENSIONS:
mm [INCHES]

TOLERANCES UNLESS
OTHERWISE SPECIFIED:

0 PLC ± -
 1 PLC ± -
 2 PLC ± .025 [.010]
 3 PLC ± -
 4 PLC ± -
 ANGLES ± -

MATERIAL: BRASS
 FINISH: SEE TABLE

DWN	JR RUTH	2/7/86	 TE Connectivity RECEPTACLE, FASTON, 6.35 [.250] SERIES
CHK	G YETTER	2/7/86	
APVD	C MEYERS	2/7/86	
PRODUCT SPEC	-		
APPLICATION SPEC	-		NAME
WEIGHT	-		SIZE
CUSTOMER DRAWING	A300779	C-41449	CAGE CODE
			DRAWING NO
			RESTRICTED TO
			SCALE
			4:1
			SHEET
			1 OF 1
			REV
			Y1

单击下面可查看定价，库存，交付和生命周期等信息

[>>TE Connectivity\(泰科\)](#)