

4

3

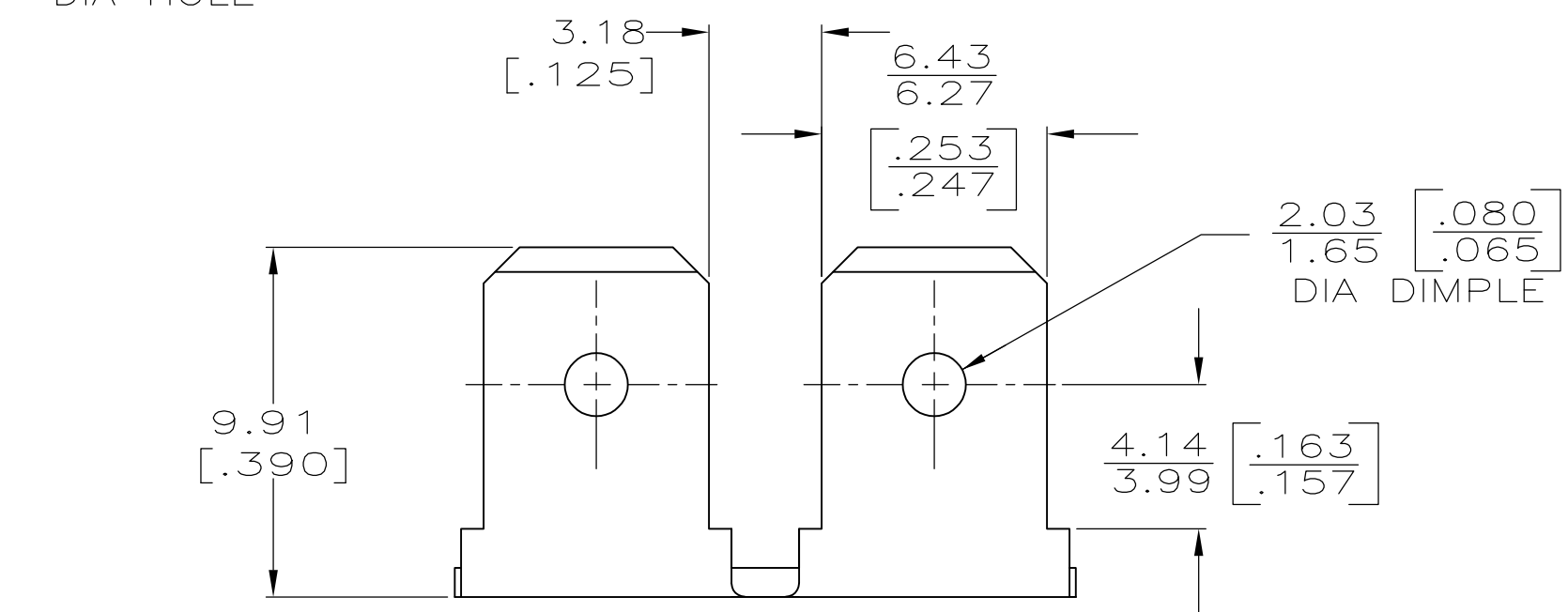
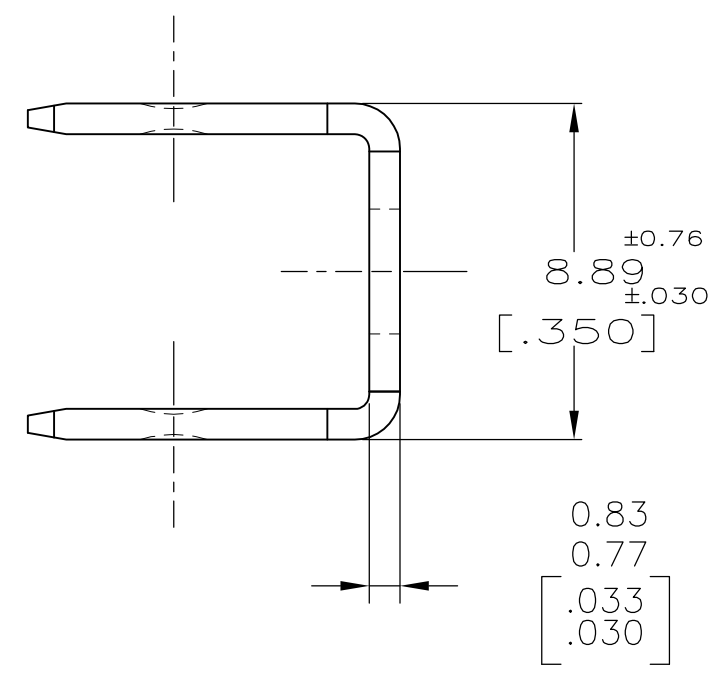
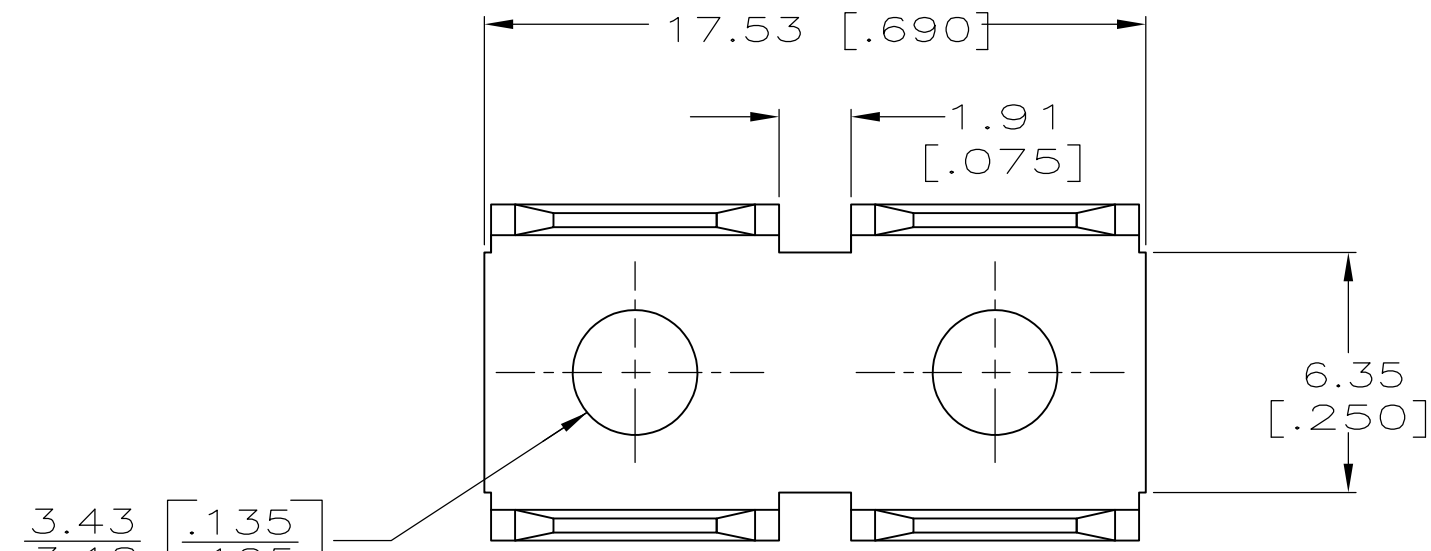
2

1


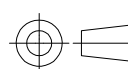
THIS DRAWING IS UNPUBLISHED. RELEASED FOR PUBLICATION  
 © COPYRIGHT - By - ALL RIGHTS RESERVED.

LOC	DIST	REVISIONS			
P	LTR	DESCRIPTION	DATE	DWN	APVD
AF	50	AG	REVISED PER ECR-13-011489	09DEC2013	KH PD

1 SUPPLIED IN LOOSE PIECE.



41481  
 PART NO

THIS DRAWING IS A CONTROLLED DOCUMENT.		DWN	JR RUTH	12/2/91	 TE Connectivity NAME TAB, FASTON, 6.35 [.250] SERIES						
DIMENSIONS: mm [INCHES]		CHK	MS FEHER	12/2/91							
		APVD	MEYERS	12/2/91							
TOLERANCES UNLESS OTHERWISE SPECIFIED: 0 PLC ± - 1 PLC ± - 2 PLC ± - 3 PLC ± 0.38 [.015] 4 PLC ± - ANGLES ± -		PRODUCT SPEC	-								
MATERIAL BRASS		FINISH	TIN		APPLICATION SPEC	SIZE	CAGE CODE	DRAWING NO	RESTRICTED TO		
					WEIGHT	A3 00779		C-41481	-		
CUSTOMER DRAWING						SCALE	5:1	SHEET	1 OF 1	REV	AG

单击下面可查看定价，库存，交付和生命周期等信息

[>>TE Connectivity\(泰科\)](#)