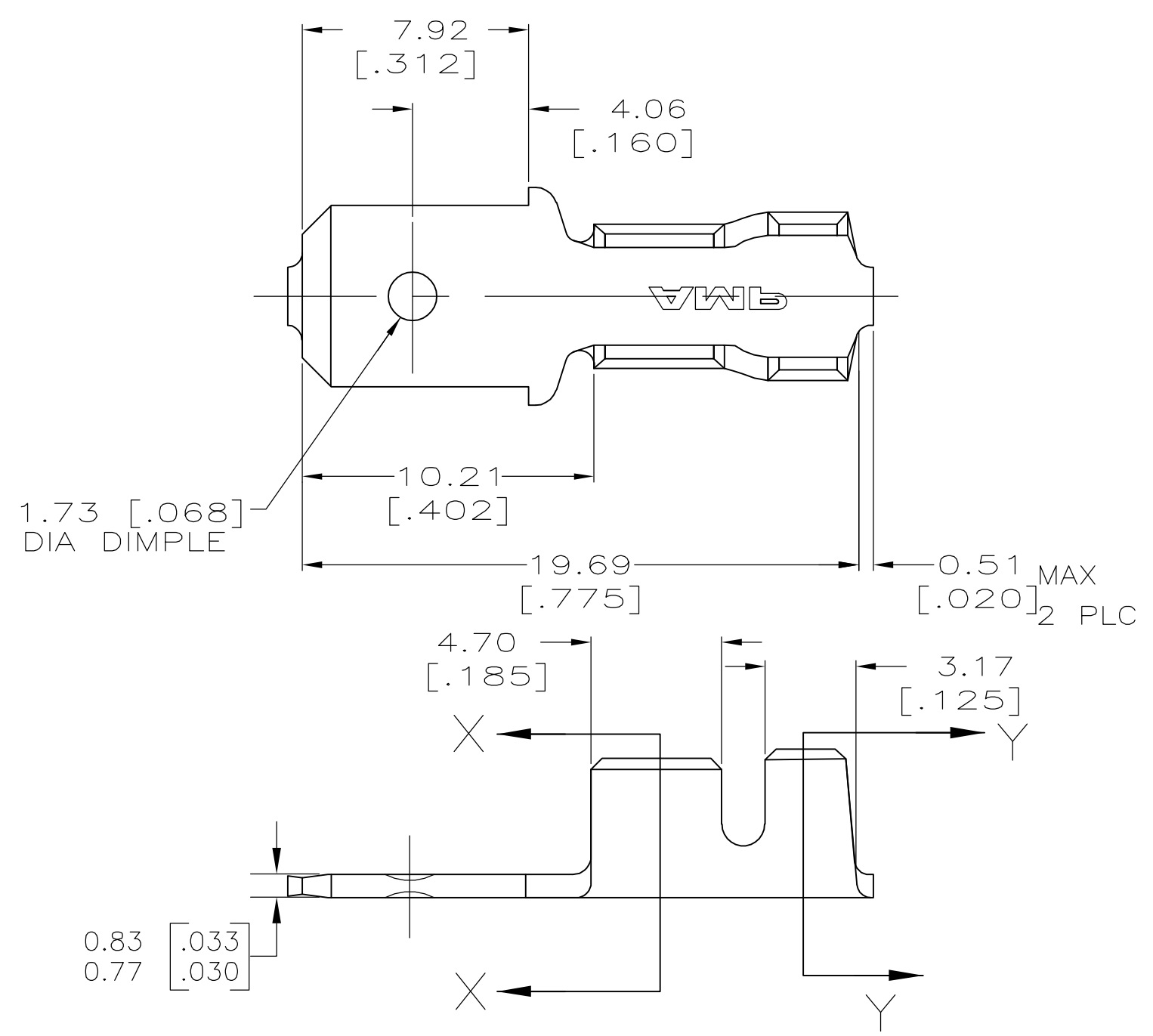
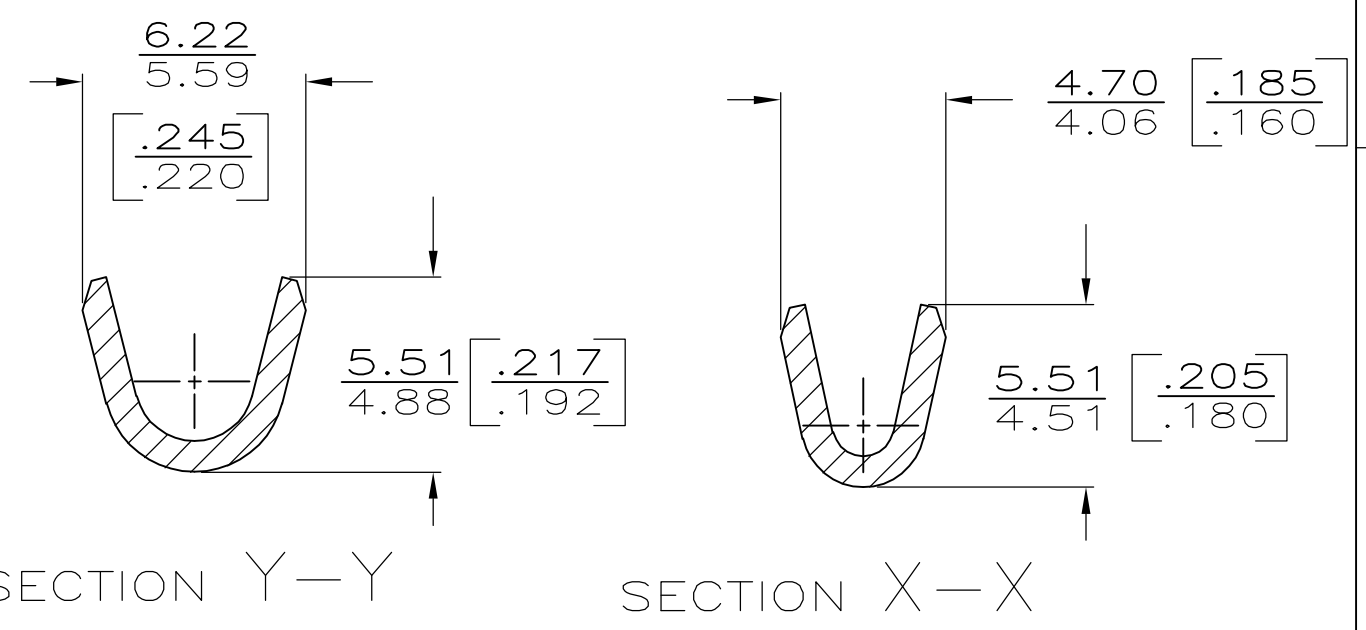


THIS DRAWING IS UNPUBLISHED. RELEASED FOR PUBLICATION
 © COPYRIGHT BY TYCO ELECTRONICS CORPORATION. ALL RIGHTS RESERVED.

LOC	DIST	REVISIONS			
P	LTR	DESCRIPTION	DATE	DWN	APVD
AF	50	A	REV PER ECR 05-010597	20MAR06	JR KR



- 1 LOOSE PIECE OF 41412.
- 2 SUPPLIED IN LOOSE PIECE.



3.05-4.32 DIA [.120-.170] DIA	0.8-2.0mm ² [18-14] AWG	41778
INSUL RANGE	WIRE SIZE	PART NO.

THIS DRAWING IS A CONTROLLED DOCUMENT.		DWN JR RUTH 8/16/95	Tyco Electronics Corporation Harrisburg, PA 17105-3608													
DIMENSIONS: INCHES		CHK MS FEHER 8/16/95														
TOLERANCES UNLESS OTHERWISE SPECIFIED:		APVD D REINER 8/16/95	NAME TAB, FASTON, 6.35 [.250] SERIES													
<table border="1"> <tr><td>0 PLC</td><td>± -</td></tr> <tr><td>1 PLC</td><td>± -</td></tr> <tr><td>2 PLC</td><td>± -</td></tr> <tr><td>3 PLC</td><td>± 0.38 [.015]</td></tr> <tr><td>4 PLC</td><td>± -</td></tr> <tr><td>ANGLES</td><td>± -</td></tr> </table>		0 PLC	± -	1 PLC	± -	2 PLC	± -	3 PLC	± 0.38 [.015]	4 PLC	± -	ANGLES	± -	PRODUCT SPEC -	RESTRICTED TO -	
0 PLC	± -															
1 PLC	± -															
2 PLC	± -															
3 PLC	± 0.38 [.015]															
4 PLC	± -															
ANGLES	± -															
MATERIAL O82 BRASS		FINISH TIN	APPLICATION SPEC -	SIZE A3												
		WEIGHT -	CAGE CODE 00779	DRAWING NO C-41778												
CUSTOMER DRAWING			SCALE 5:1	SHEET 1 OF 1												
			REV A													

单击下面可查看定价，库存，交付和生命周期等信息

[>>TE Connectivity\(泰科\)](#)