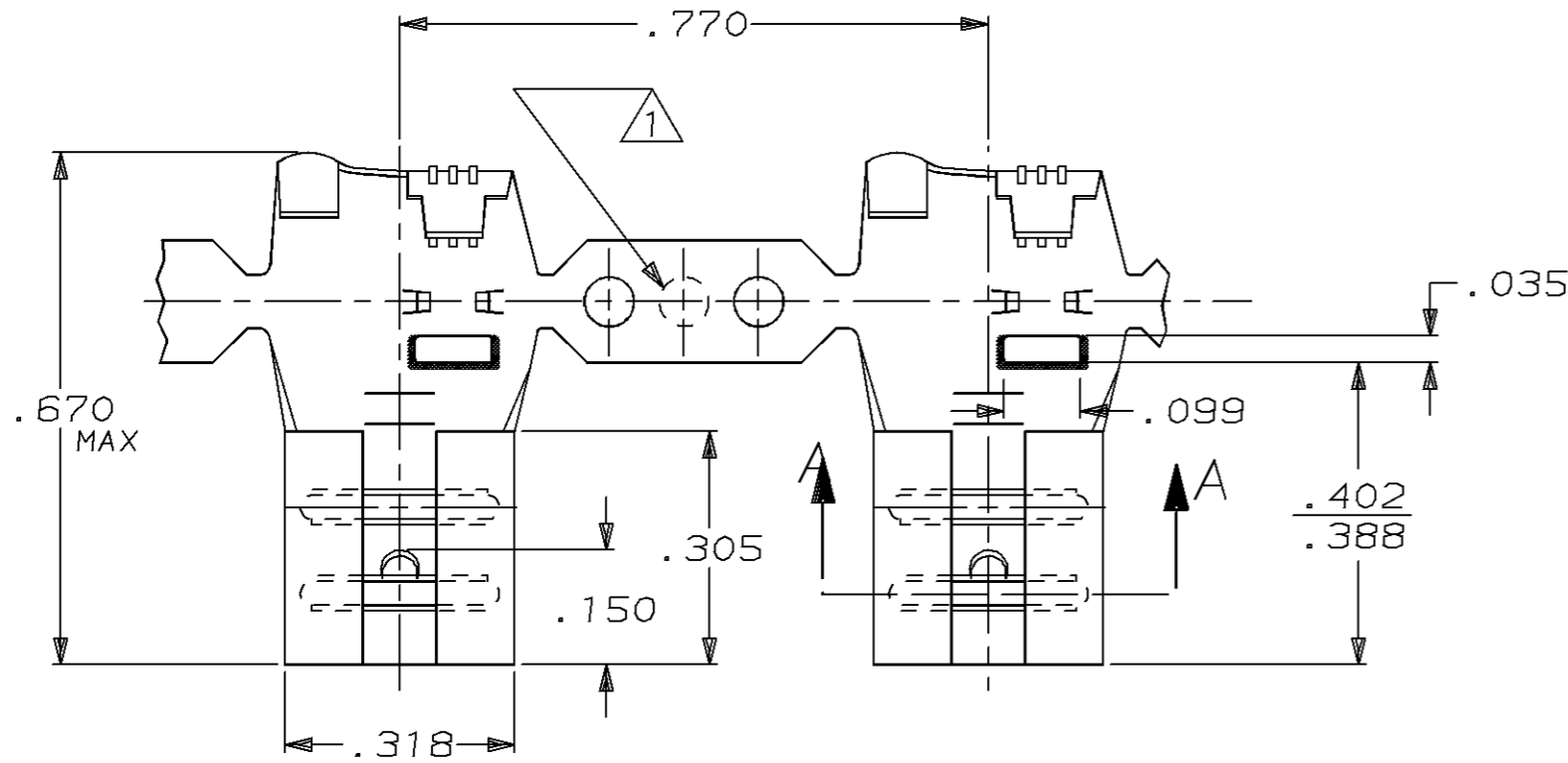
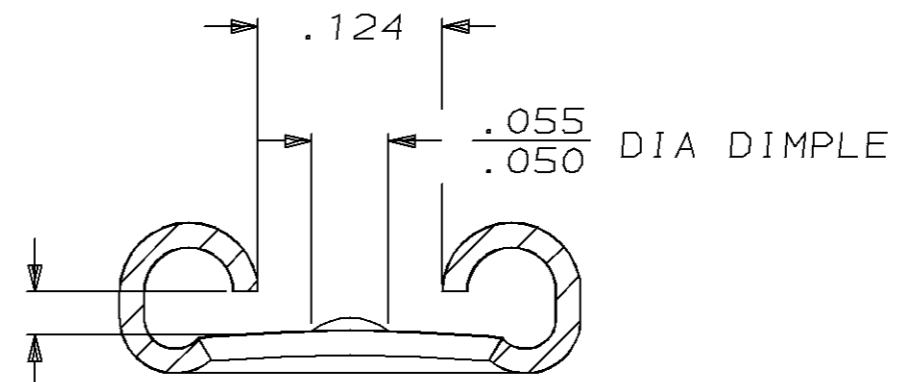


THIS DRAWING IS UNPUBLISHED. RELEASED FOR PUBLICATION, 19
 © COPYRIGHT 19 BY AMP INCORPORATED. ALL INTERNATIONAL RIGHTS RESERVED.

LOC	DIST	P	F	REVISIONS				
				ZONE	LTR	DESCRIPTION	DATE	APPD
AF	50				U	NO CHANGE PER 0710-0498-95	11/14/95	JR/PD

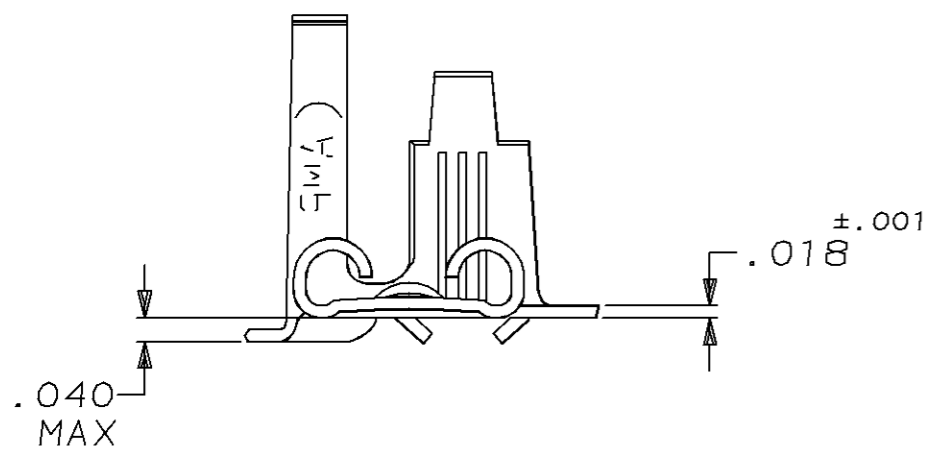


- 1 SINGLE OR DOUBLE PILOT HOLE OPTIONAL
- 2 MAX FIRST INSERTION FORCE, 20 LBS. USING GAGE 100505.



FITS .250 SERIES FASTON TAB

SECTION A-A
SCALE 8:1



.110-.210	18-12	.032	41800
INSULATION RANGE	WIRE SIZE	MATING TAB THK ±.001	PART NO
DO NOT SCALE PRINT. UNLESS SPECIFIED DIMENSIONS IN INCHES TOLERANCES ON: 2 PLC DEC ± - 3 PLC DEC ± .015 ANGLES ± -	DR 7/12/89 JR RUTH	AMP AMP INCORPORATED Harrisburg, Pa. 17105	
	CHK 7/12/89 MS FEHER		
	APPD 7/12/89 C MEYERS	NAME RECEPTACLE, FASTON, FLAG, .250 SERIES	
	MATERIAL #3H PHOS BRZ	APPD 7/12/89 R KUZO PRODUCT SPEC -	SIZE B
FINISH TIN	APPLICATION SPEC -	DRAWING NO 41800	SCALE 4:1
	WEIGHT -	SHEET 1 OF 1	

单击下面可查看定价，库存，交付和生命周期等信息

[>>TE Connectivity\(泰科\)](#)