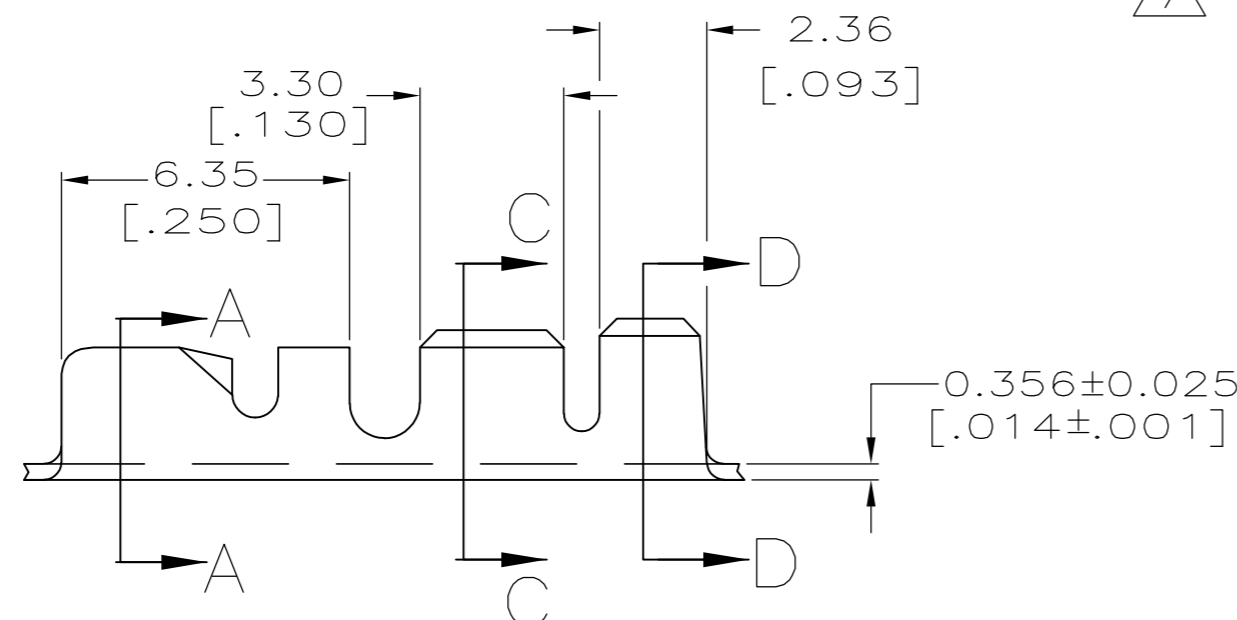
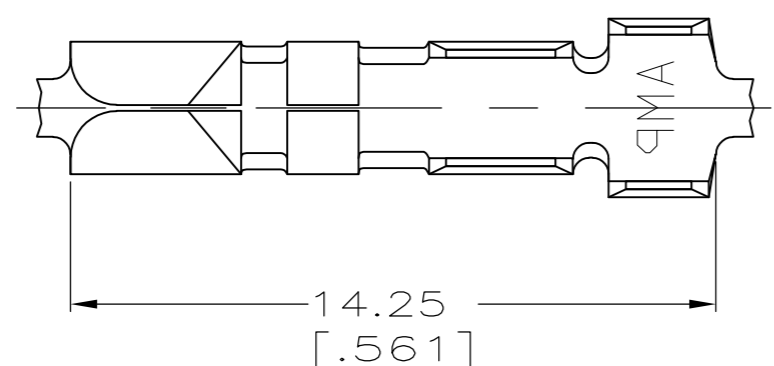


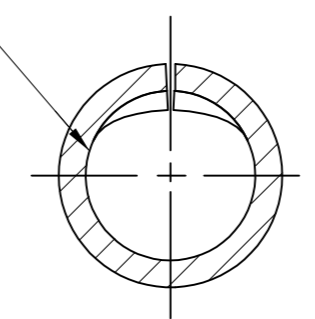
THIS DRAWING IS UNPUBLISHED. RELEASED FOR PUBLICATION
 © COPYRIGHT BY TYCO ELECTRONICS CORPORATION. ALL RIGHTS RESERVED.

LOC		DIST		REVISIONS			
P	LTR	DESCRIPTION	DATE	DWN	APVD		
	J	REVISED PER ECR-07-017666	30JUL07	MF	DD		

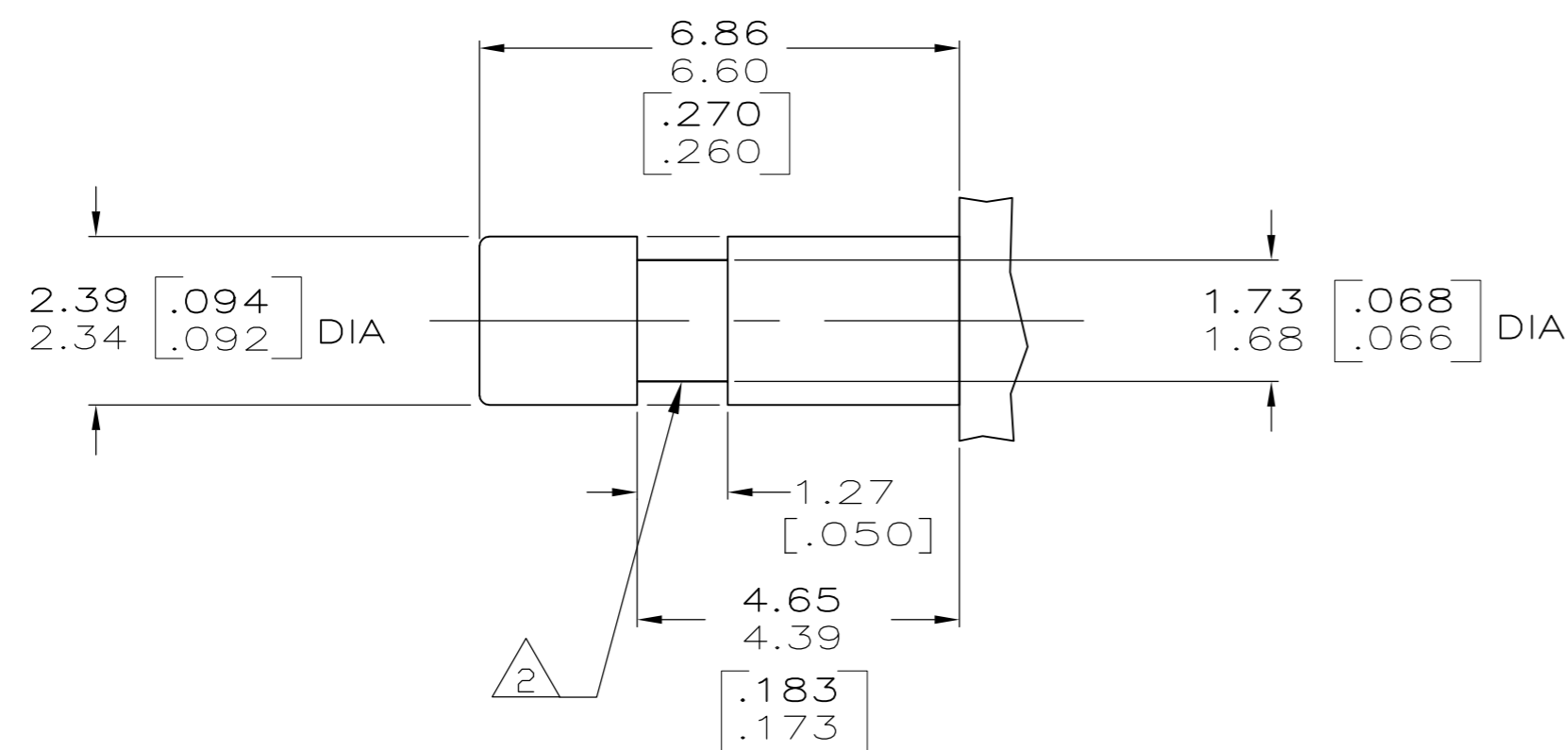
- 1 CONTINUOUS STRIP ON REELS.
- 2 INDENT IS OPTIONAL ON PIN.
- 3 MATING PIN IS TIN PLATED.
- 4 METHOD OF FASTENING PIN TO BE DETERMINED BY CUSTOMER.
- 5 WIRE RANGE: 0.8-1.3mm² [#18-#16] AWG.
- 6 INSULATION RANGE: 2.29-3.05mm [.090-.120] DIA.
- 7 PRELIMINARY - NOT FOR PRODUCTION.



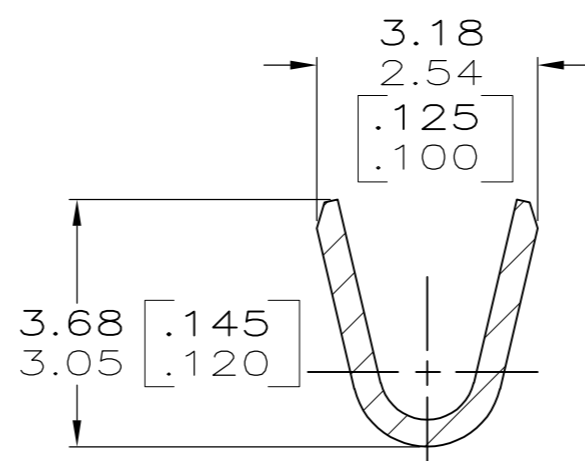
FITS 2.36 [.093] DIA PIN



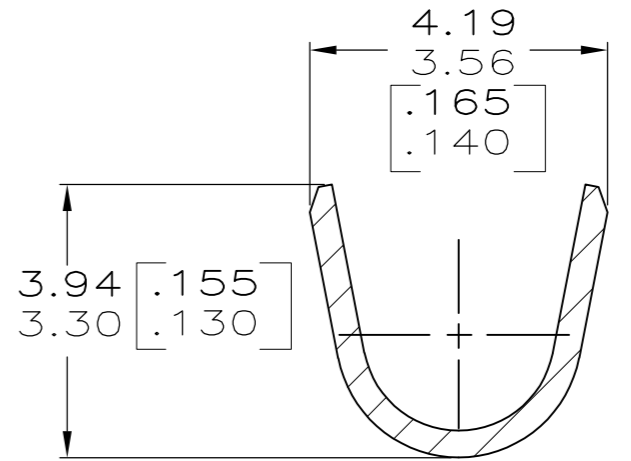
SECTION A-A
SCALE 10:1



MATING PIN 3



SECTION C-C
SCALE 10:1



SECTION D-D
SCALE 10:1

	0.00381 [.000150] MIN NICKEL PLATE	H04 BRASS	7 42101-4
OBSOLETE	0.002032 [.000080] MIN TIN PLATE	H04 PHOSPHOR BRONZE	42101-3
	0.002032 [.000080] MIN TIN PLATE	H04 BRASS	42101-2
OBSOLETE	-	H04 BRASS	42101-1

FINISH		MATERIAL		PART NUMBER	
THIS DRAWING IS A CONTROLLED DOCUMENT.		M.S. FEHER 30JUL2006		7 42101-4	
DWN		D.F. DECKER 30JUL2007		Tyco Electronics Corporation Harrisburg, PA 17105-3608	
CHK		D.F. DECKER 30JUL2007		NAME	
APVD		D.F. DECKER 30JUL2007		PIN RECEPTACLE, 2.36 [.093] DIA	
PRODUCT SPEC		APPLICATION SPEC		SIZE	
MATERIAL		FINISH		CAGE CODE	
SEE TABLE		SEE TABLE		DRAWING NO	
		WEIGHT		RESTRICTED TO	
		-		-	
		A2 00779		C=42101	
		CUSTOMER DRAWING		SCALE 5:1 SHEET 1 of 1 REV J	

单击下面可查看定价，库存，交付和生命周期等信息

[>>TE Connectivity\(泰科\)](#)