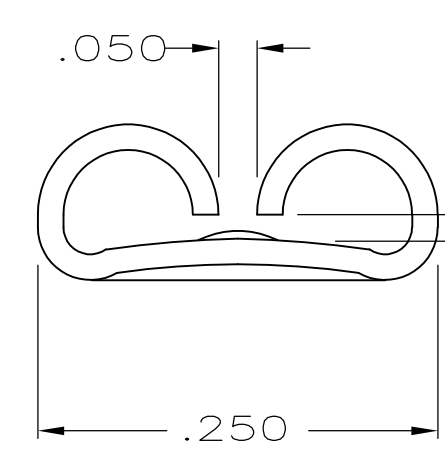
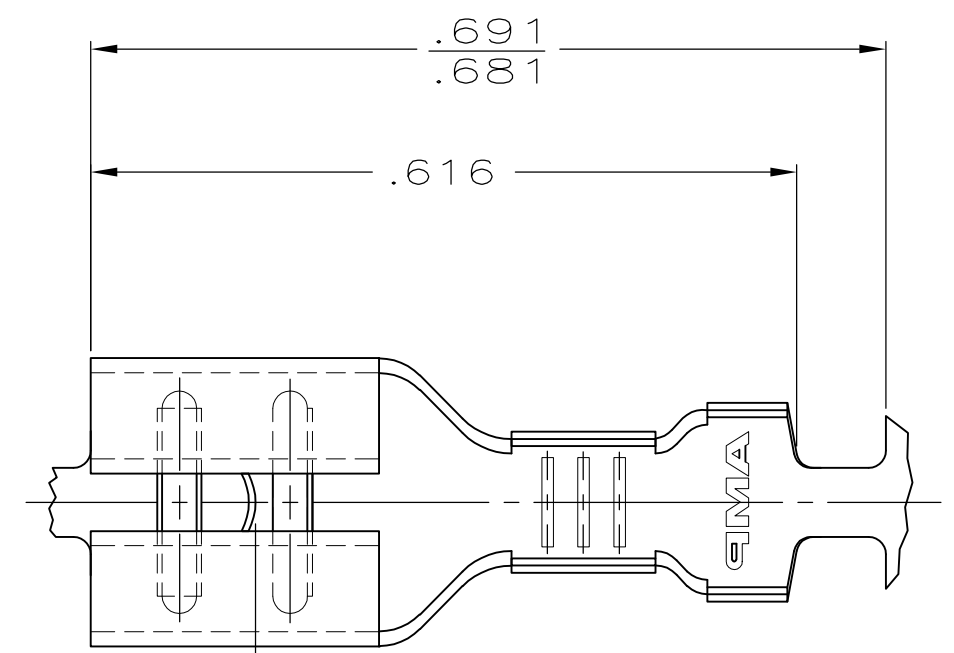


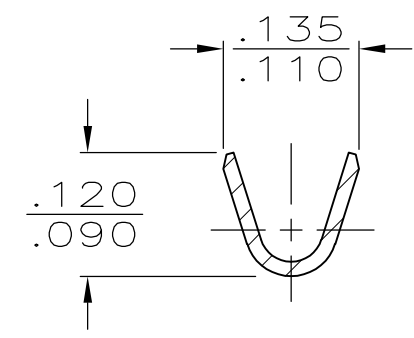
THIS DRAWING IS UNPUBLISHED. RELEASED FOR PUBLICATION  
 © COPYRIGHT - By - ALL RIGHTS RESERVED.

LOC	DIST	REVISIONS			
P	LTR	DESCRIPTION	DATE	DWN	APVD
AF	50	T	REVISED PER ECR-12-013445	09NOV12	KH PD

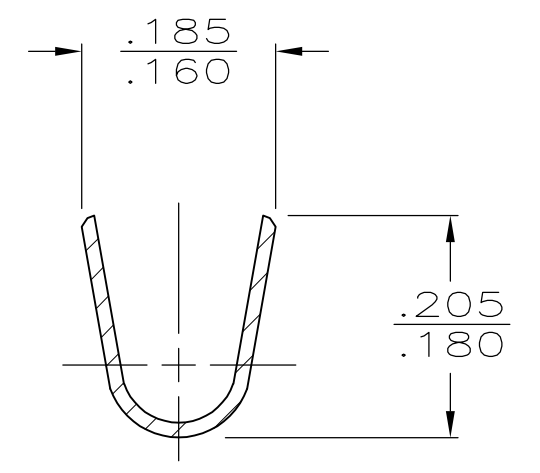


FITS '205' SERIES FASTON TAB

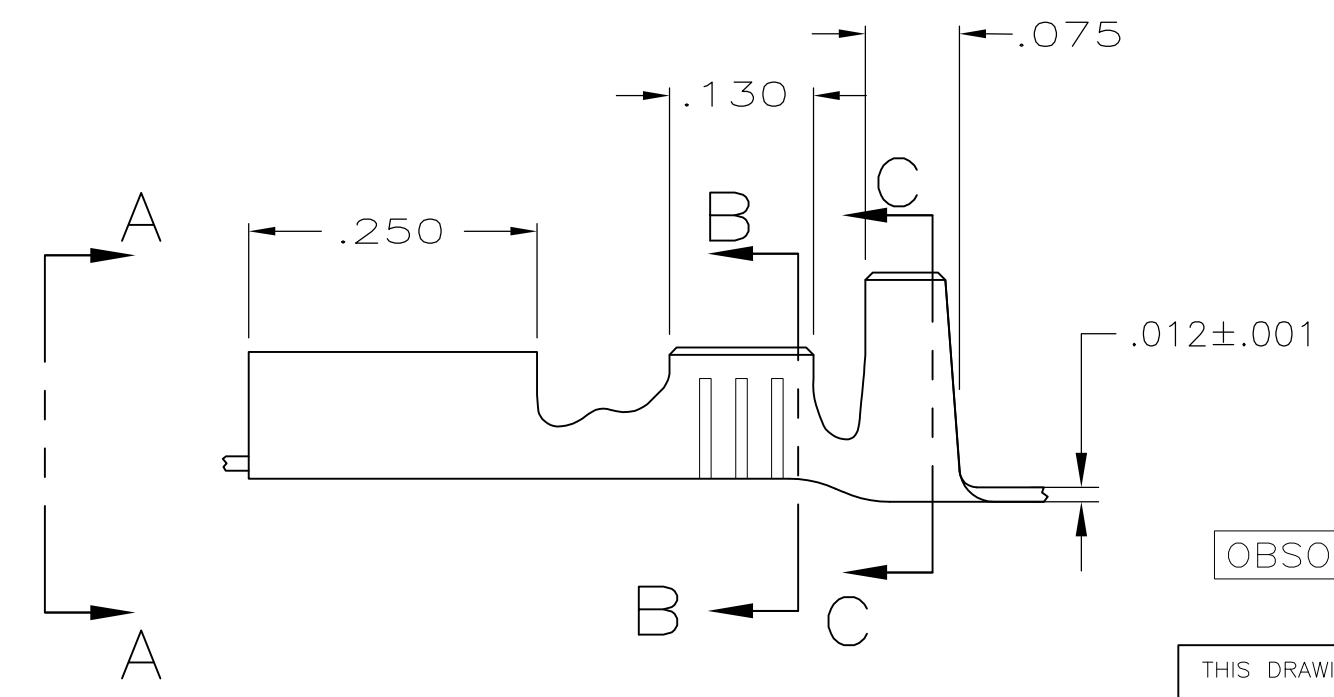
VIEW A-A



SECTION B-B



SECTION C-C



OBSOLETE	TIN	.032	22-18	.085 - .125	42299-2
	NONE				42299-1
	FINISH	MATING TAB THK #.001	WIRE SIZE	INSULATION RANGE	PART NUMBER

THIS DRAWING IS A CONTROLLED DOCUMENT.		DWN	2-22-89	TE Connectivity RECEPTACLE, FASTON, 205 SERIES			
DIMENSIONS: INCHES		CHK	3-8-89				
TOLERANCES UNLESS OTHERWISE SPECIFIED:		APVD	3-8-89				
0 PLC ± - 1 PLC ± - 2 PLC ± - 3 PLC ± .015 4 PLC ± - ANGLES ± -		PRODUCT SPEC	-				
MATERIAL	FINISH	APPLIC. SPEC	-	SIZE	CAGE CODE	DRAWING NO	RESTRICTED TO
BRASS	SEE TABLE	WEIGHT	-	A3	00779	C-42299	-
CUSTOMER DRAWING				SCALE	6:1	SHEET	1 OF 1
				REV	T		

单击下面可查看定价，库存，交付和生命周期等信息

[>>TE Connectivity\(泰科\)](#)