

THIS DRAWING IS UNPUBLISHED.

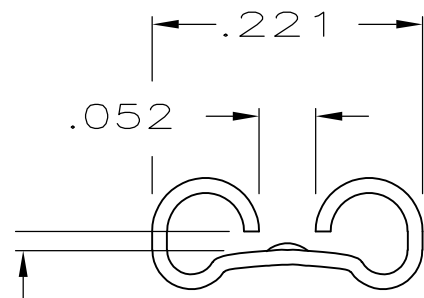
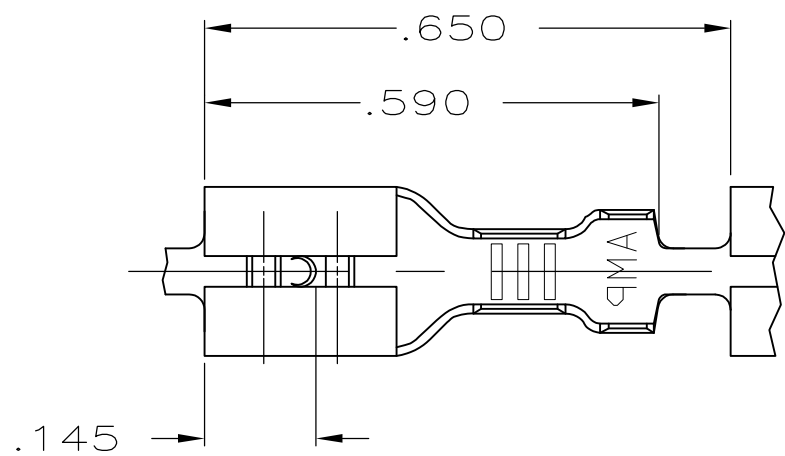
RELEASED FOR PUBLICATION

ALL RIGHTS RESERVED.

© COPYRIGHT - By -

REVISIONS

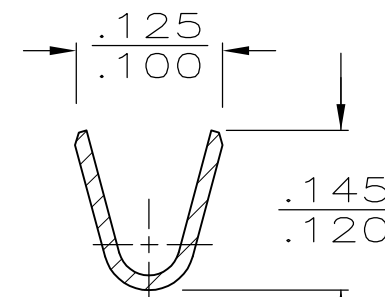
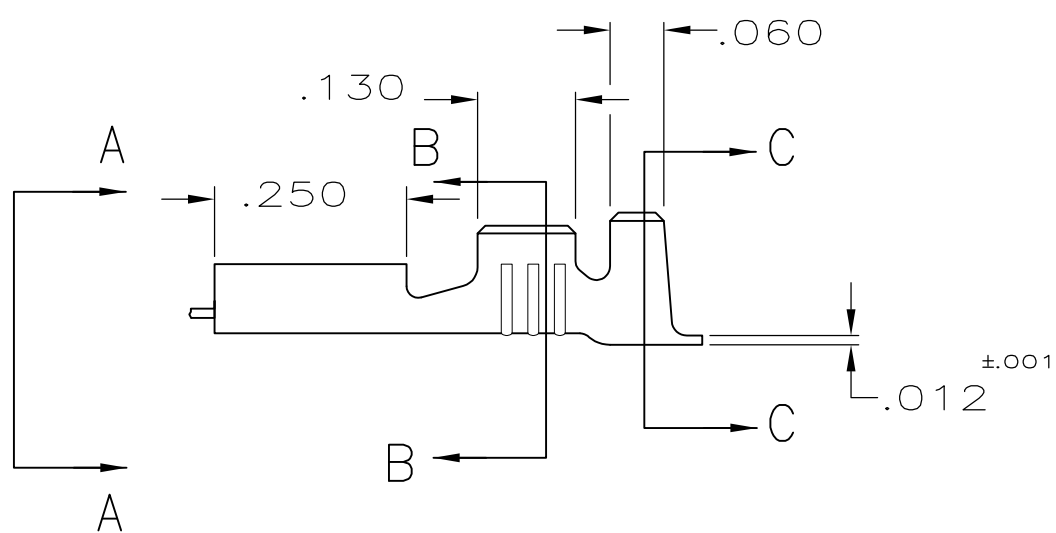
P	LTR	DESCRIPTION	DATE	DWN	APVD
	AD3	REVISED PER ECR-17-013210	13SEP2017	DL	TD



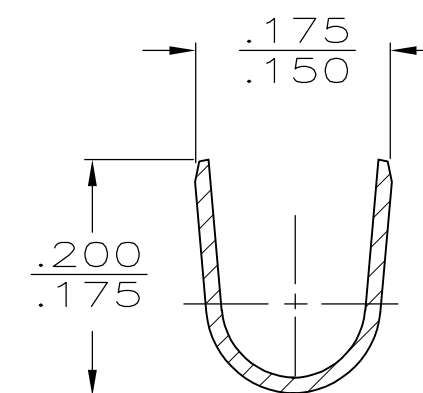
FITS .187 SERIES FASTON TAB

VIEW A-A

1 CONTINUOUS STRIP ON REELS.



SECTION B-B



SECTION C-C

<del>OBSOLETE</del>	SILVER	#4H PH BRZ	.090-.130	20-16	.015 ±.001	<del>42453-3</del>
	TIN	BRASS	.090-.130	20-16	.015 ±.001	42453-2
<del>OBSOLETE</del>	---	#4H BRASS	.090-.130	20-16	.015 ±.001	<del>42453-1</del>
	FINISH	MATERIAL	INSULATION RANGE	WIRE SIZE	TAB THK.	PART NUMBER

THIS DRAWING IS A CONTROLLED DOCUMENT.		DWN	JR RUTH	10/3/86	<b>TE Connectivity</b>						
DIMENSIONS: INCHES		CHK	G YETTER	10/3/86							
		APVD	R KUZO	10/27/96							
TOLERANCES UNLESS OTHERWISE SPECIFIED:		PRODUCT SPEC	-								
MATERIAL: SEE ABOVE		FINISH: SEE ABOVE		APPLICATION SPEC	-						
		WEIGHT		-		NAME	.187 SERIES FASTON RECEPTACLE				
		CUSTOMER DRAWING		SIZE	A3	CAGE CODE	00779	DRAWING NO	C-42453	RESTRICTED TO	-
				SCALE	NTS	SHEET	1 OF 1		REV	AD3	

单击下面可查看定价，库存，交付和生命周期等信息

[>>TE Connectivity\(泰科\)](#)