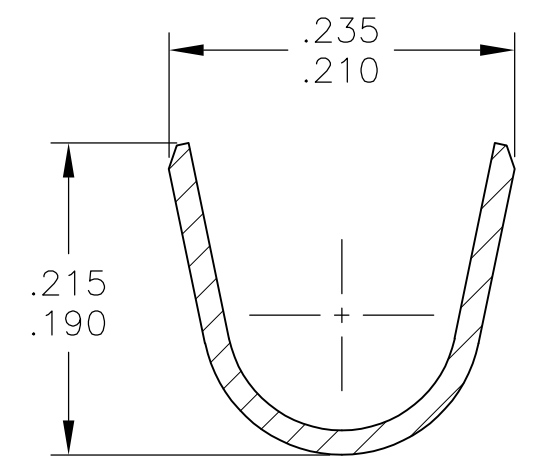
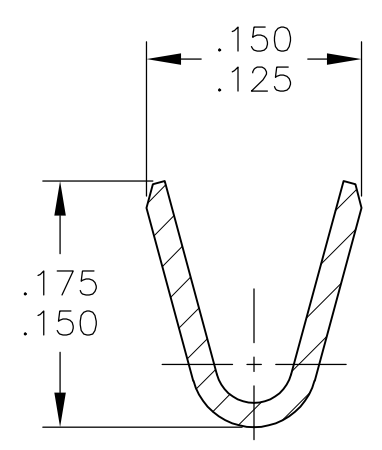
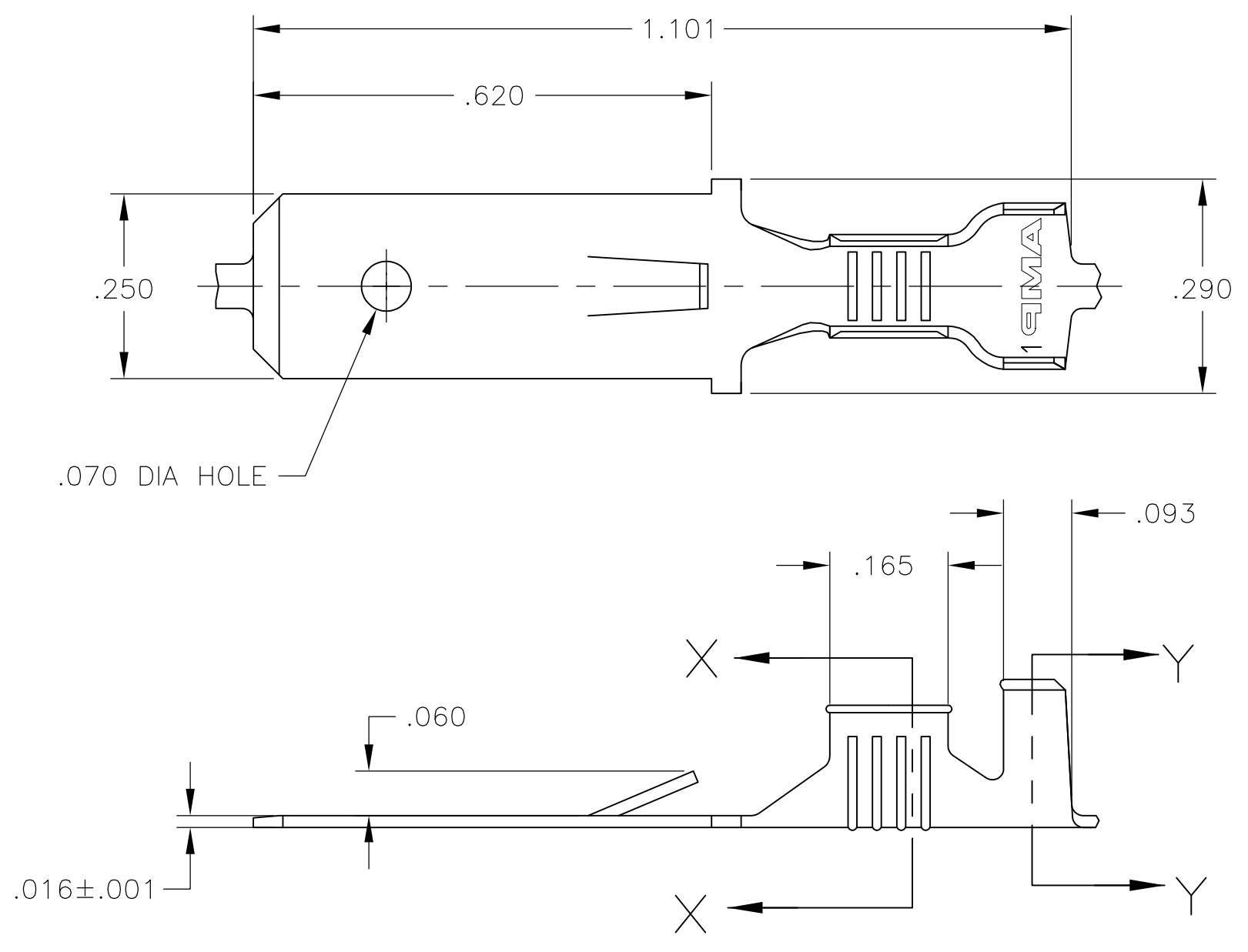


THIS DRAWING IS UNPUBLISHED. RELEASED FOR PUBLICATION  
 © COPYRIGHT - By - ALL RIGHTS RESERVED.

LOC	DIST	REVISIONS			
P	LTR	DESCRIPTION	DATE	DWN	APVD
AF	50	AA	REVISED PER ECR-13-005733	23AUG13	KH PD

- 1 FOREIGN PRODUCTION ONLY.
- 2 CONTINUOUS STRIP ON REELS.
- 3 WIRE SIZE IS #18-#14 AWG
- 4 INSULATION RANGE IS .120-.145 DIA



OBSOLETE	SILVER	42580-3
	TIN	42580-2
OBSOLETE		1 42580-1
	FINISH	PART NUMBER

THIS DRAWING IS A CONTROLLED DOCUMENT.		DWN	JR RUTH	12/17/90	<b>STE</b> TE Connectivity		
DIMENSIONS: INCHES		CHK	MS FEHER	12/17/90			
TOLERANCES UNLESS OTHERWISE SPECIFIED:		APVD	D REINER	12/17/90	TAB, FASTIN-FASTON, .250 SERIES		
0 PLC ± -		PRODUCT SPEC	-			-	
1 PLC ± -		APPLICATION SPEC	-			SIZE	A3
2 PLC ± -		WEIGHT	-			CAGE CODE	00779
3 PLC ± .010		CUSTOMER DRAWING	SCALE			DRAWING NO	C-42580
4 PLC ± -			5:1			SHEET	1 OF 1
ANGLES ± -		RESTRICTED TO			REV AA		
MATERIAL	BRASS	FINISH		SEE TABLE			

单击下面可查看定价，库存，交付和生命周期等信息

[>>TE Connectivity\(泰科\)](#)