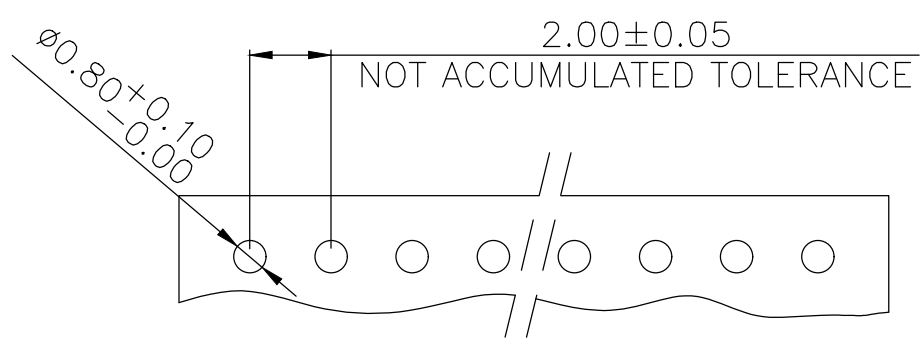
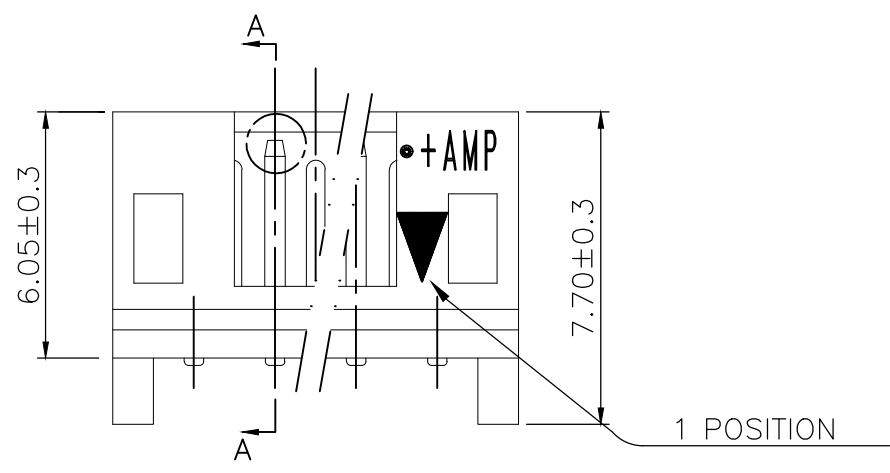
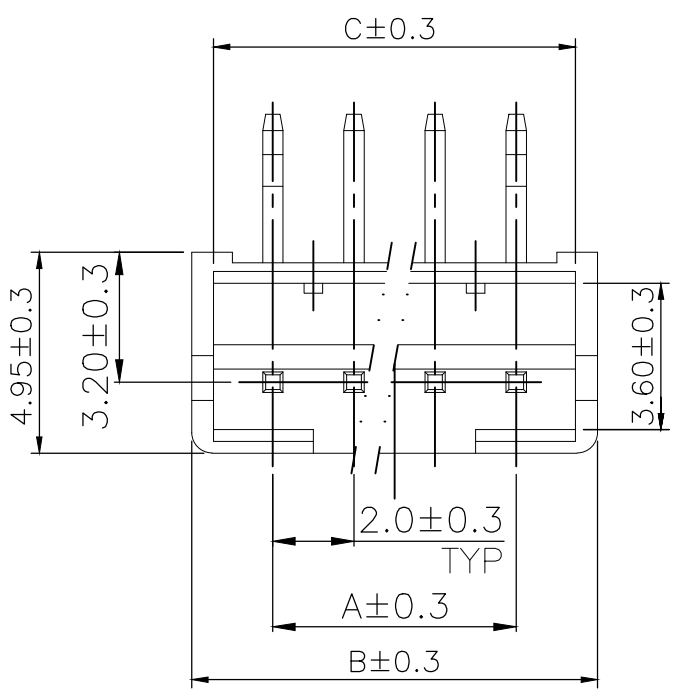
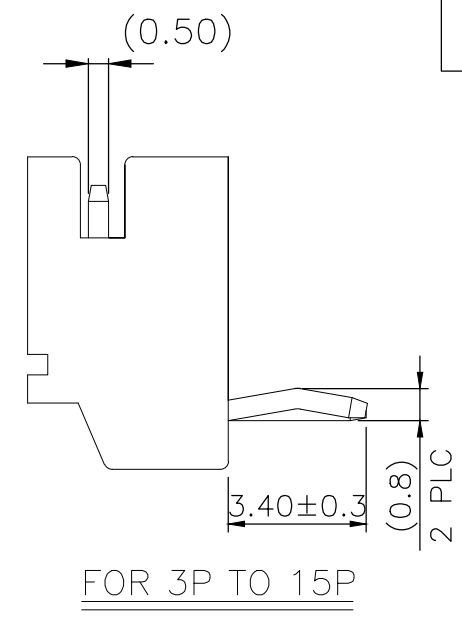
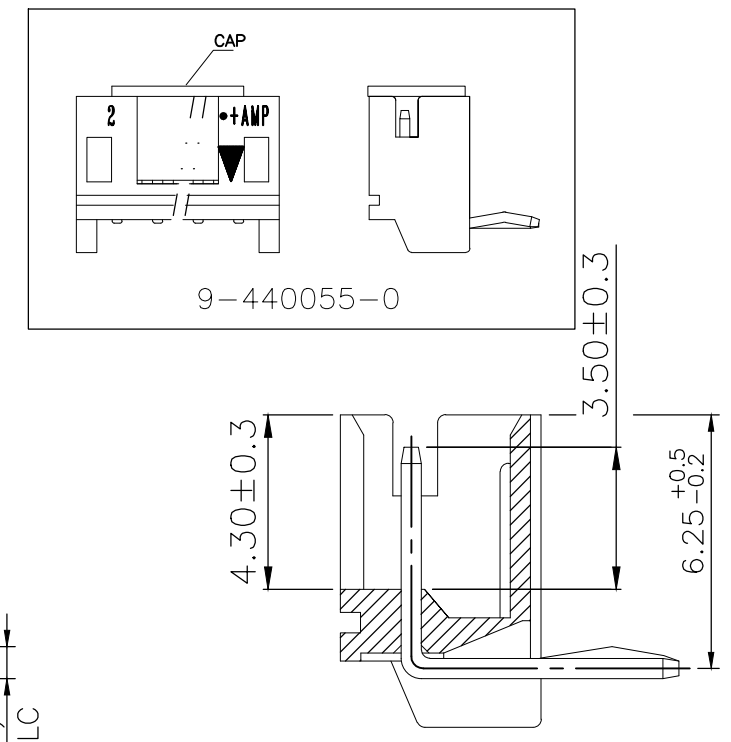
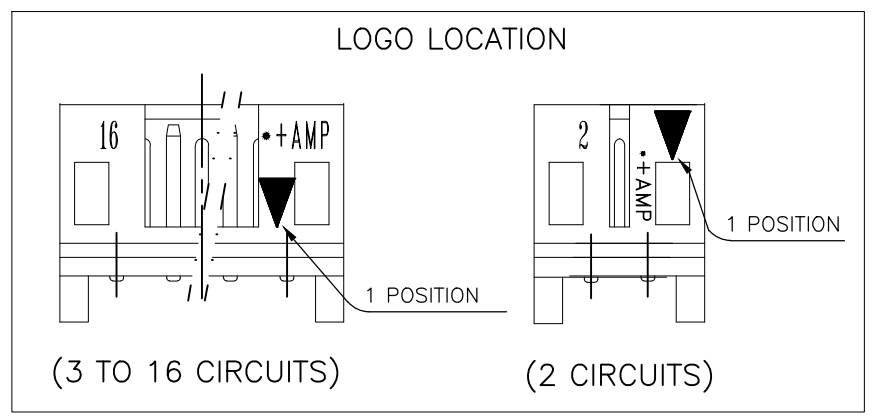


THIS DRAWING IS UNPUBLISHED. RELEASED FOR PUBLICATION 09JUN2003
 © COPYRIGHT - By - ALL RIGHTS RESERVED.

REVISIONS					
P	LTR	DESCRIPTION	DATE	DWN	APVD
B4		REVISED ECR-19-006475	29APR2019	T.Q	W.H

NOTE:
 1. MATERIAL :
 HOUSING : TGERMOPLASTIC UL94V-0
 CONTACT : BRASS THICKNESS=0.5mm
 2. FINISH:
 CONTACT : 80u" MIN. TIN PLATED OVER ALL.



COLOR	DIM C	DIM B	DIM A	POS.	PART NUMBER
GREEN	8.90	10.00	6.00	4P	9-440055-4
	24.90	26.00	22.00	12P	9-440055-2
	16.90	18.00	14.00	8P	8-440055-8
	10.90	12.00	8.00	5P	8-440055-5
	8.90	10.00	6.00	4P	8-440055-4
RED	6.90	8.00	4.00	3P	8-440055-3
	4.90	6.00	2.00	2P	8-440055-2
	10.90	12.00	8.00	5P	6-440055-5
	8.90	10.00	6.00	4P	6-440055-4
	6.90	8.00	4.00	3P	6-440055-3
BLACK	4.90	6.00	2.00	2P	6-440055-2
	24.90	26.00	22.00	12P	5-440055-2
	22.90	24.00	20.00	11P	5-440055-1
	20.90	22.00	18.00	10P	5-440055-0
	18.90	20.00	16.00	9P	4-440055-9
YELLOW	16.90	18.00	14.00	8P	4-440055-8
	14.90	16.00	12.00	7P	4-440055-7
	12.90	14.00	10.00	6P	4-440055-6
	10.90	12.00	8.00	5P	4-440055-5
	8.90	10.00	6.00	4P	4-440055-4
BLUE	6.90	8.00	4.00	3P	4-440055-3
	4.90	6.00	2.00	2P	4-440055-2
	10.90	12.00	8.00	5P	2-440055-5
	8.90	10.00	6.00	4P	2-440055-4
	6.90	8.00	4.00	3P	2-440055-3
NATURAL WHITE	4.90	6.00	2.00	2P	2-440055-2
	20.90	22.00	18.00	10P	9-440055-0
	32.90	34.00	30.00	16P	1-440055-6
	30.90	32.00	28.00	15P	1-440055-5
	28.90	30.00	26.00	14P	1-440055-4
	26.90	28.00	24.00	13P	1-440055-3
	24.90	26.00	22.00	12P	1-440055-2
	22.90	24.00	20.00	11P	1-440055-1
	20.90	22.00	18.00	10P	1-440055-0
	18.90	20.00	16.00	9P	440055-9
16.90	18.00	14.00	8P	440055-8	
14.90	16.00	12.00	7P	440055-7	
12.90	14.00	10.00	6P	440055-6	
10.90	12.00	8.00	5P	440055-5	
8.90	10.00	6.00	4P	440055-4	
6.90	8.00	4.00	3P	440055-3	
4.90	6.00	2.00	2P	440055-2	

THIS DRAWING IS A CONTROLLED DOCUMENT.		DWN	O.HU	09JUN2003	STE TE Connectivity
DIMENSIONS: mm		CHK	A.WU	09JUN2003	
TOLERANCES UNLESS OTHERWISE SPECIFIED:		APVD	J.CHENG	09JUN2003	NAME
0 PLC	± 0.3	PRODUCT SPEC		108-57100	
1 PLC	± 0.25	APPLICATION SPEC		2.0 MM PITCH HPI RIGHT-ANGLE POST HEADERS	
2 PLC	± 0.15	WEIGHT	-		SIZE
3 PLC	± 0.05	MATERIAL		-	
4 PLC	± -	FINISH		-	
ANGLES	± -	CUSTOMER DRAWING		SCALE	1:1
		A300779		DRAWING NO	C-440055
		RESTRICTED TO		-	
		SHEET		1 OF 3	
		REV		B4	

THIS DRAWING IS UNPUBLISHED.

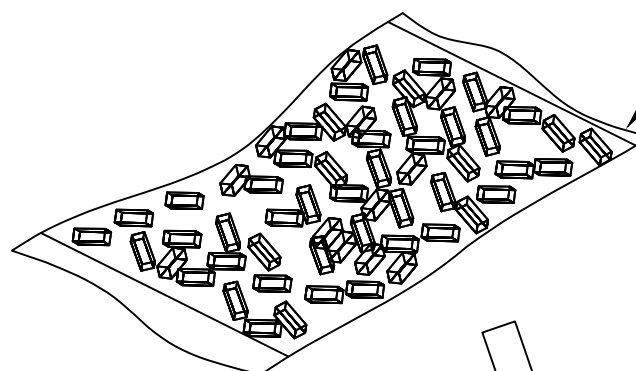
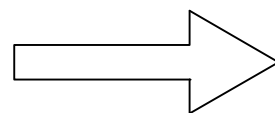
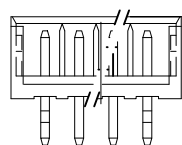
RELEASED FOR PUBLICATION - 09JUN2003

REVISIONS

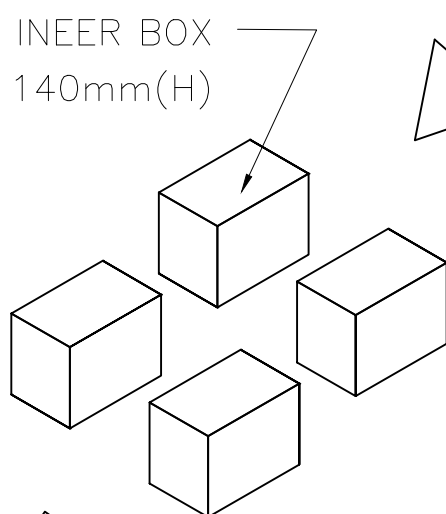
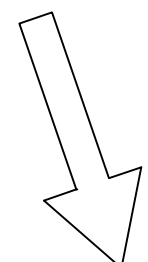
© COPYRIGHT - By -

ALL RIGHTS RESERVED.

P	LTR	DESCRIPTION	DATE	DWN	APVD
-	-	SEE SHEET 1	-	-	-

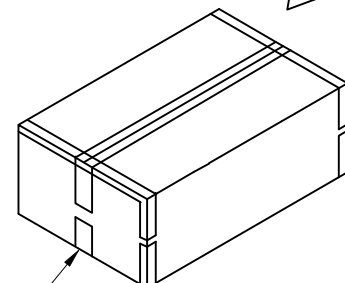
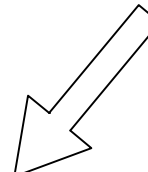
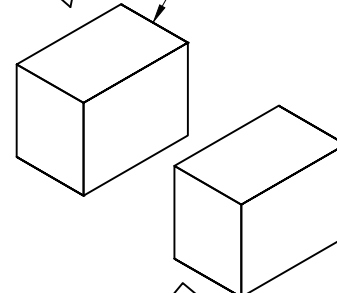


POLY BAG
127mm(L)X 203mm(W)X 0.07mm(H)

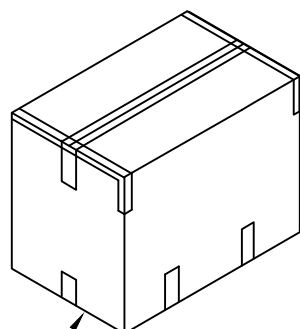
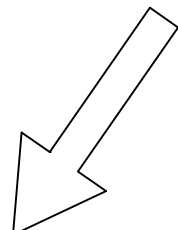


INNER BOX
320mm(L)X 220mm(W)X 140mm(H)

INNER BOX
320mm(L)X 220mm(W)X 140mm(H)



CARTON
340mm(L)X 470mm(W)X 168mm(H)
(FOR HEADER 2P~5P ONLY)



CARTON
340mm(L)X 470mm(W)X 316mm(H)
(FOR HEADER 6P~16P ONLY)

17,600	550	4P	9-440055-4
12,800	200	12P	9-440055-2
19,200	300	8P	8-440055-8
14,400	450	5P	8-440055-5
17,600	550	4P	8-440055-4
24,000	1,000	3P	8-440055-3
32,000	1,000	2P	8-440055-2
14,400	450	5P	6-440055-5
17,600	550	4P	6-440055-4
24,000	1,000	3P	6-440055-3
32,000	1,000	2P	6-440055-2
12,800	200	12P	5-440055-2
14,000	250	11P	5-440055-1
14,000	250	10P	5-440055-0
16,800	300	9P	4-440055-9
19,200	300	8P	4-440055-8
22,400	350	7P	4-440055-7
25,600	400	6P	4-440055-6
14,400	450	5P	4-440055-5
17,600	550	4P	4-440055-4
24,000	1,000	3P	4-440055-3
32,000	1,000	2P	4-440055-2
14,400	450	5P	2-440055-5
17,600	550	4P	2-440055-4
24,000	1,000	3P	2-440055-3
32,000	1,000	2P	2-440055-2
10,080	180	16P	1-440055-6
10,800	180	15P	1-440054-5
10,400	200	14P	1-440055-4
9,600	200	13P	1-440055-3
12,800	200	12P	1-440055-2
14,000	250	11P	1-440055-1
14,000	250	10P	1-440055-0
16,800	300	9P	440055-9
19,200	300	8P	440055-8
22,400	350	7P	440055-7
25,600	400	6P	440055-6
14,400	450	5P	440054-5
17,600	550	4P	440055-4
24,000	1,000	3P	440055-3
32,000	1,000	2P	440055-2
APQ (PCS/CARTON)	PPQ (PCS/BAG)	POS.	PART NUMBER

THIS DRAWING IS A CONTROLLED DOCUMENT.		DWN	O.HU	09JUN2003	 TE Connectivity	NAME		
DIMENSIONS:		CHK	A.WU	09JUN2003		PRODUCT SPEC		
TOLERANCES UNLESS OTHERWISE SPECIFIED:		APVD	J.CHENG	09JUN2003		APPLICATION SPEC		
mm		108-57100				2.0 MM PITCH HPI RIGHT-ANGLE POST HEADERS		
MATERIAL		WEIGHT			SIZE	CAGE CODE	DRAWING NO	RESTRICTED TO
-		-			A3	00779	C-440055	-
CUSTOMER DRAWING					SCALE	1:1	SHEET	2 OF 3
							REV	B4

THIS DRAWING IS UNPUBLISHED.

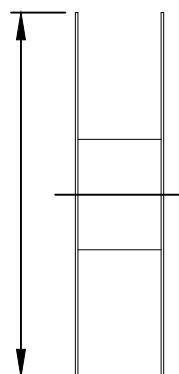
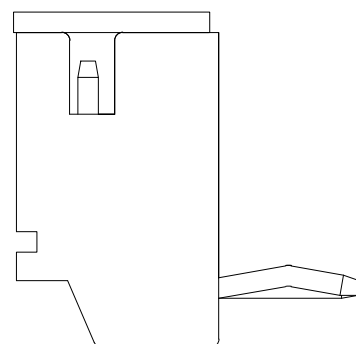
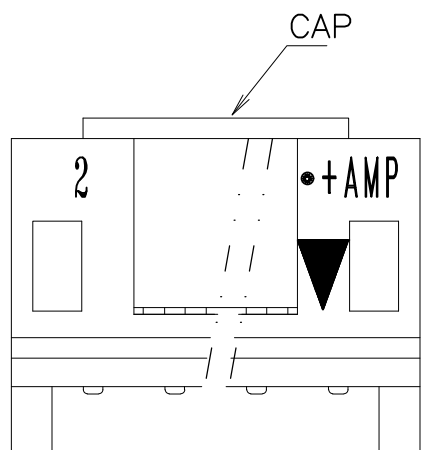
RELEASED FOR PUBLICATION - 09JUN2003

REVISIONS

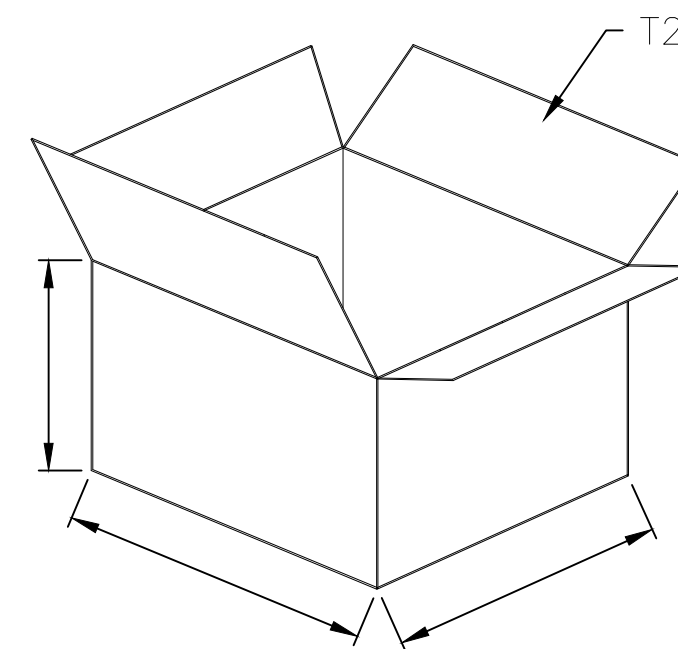
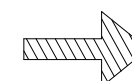
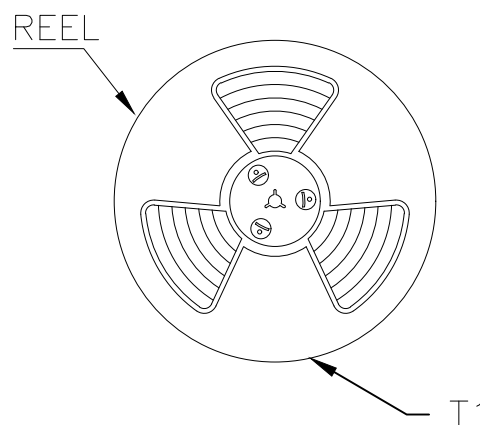
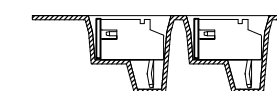
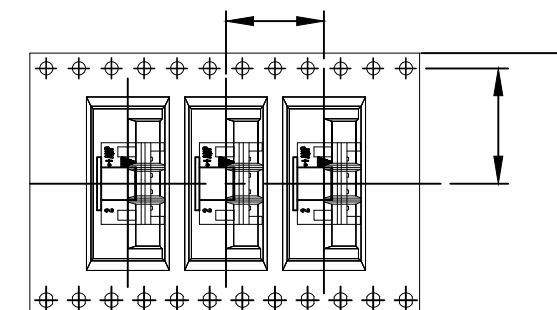
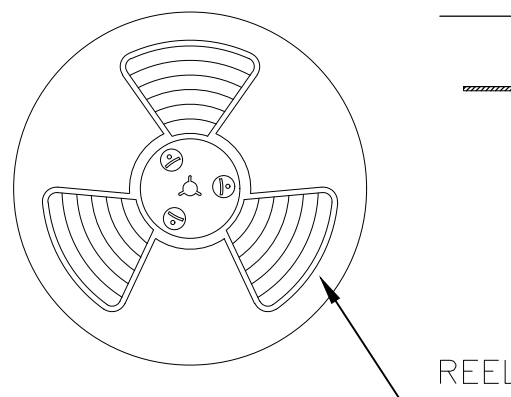
© COPYRIGHT - By -

ALL RIGHTS RESERVED.

P	LTR	DESCRIPTION	DATE	DWN	APVD
-	-	SEE SHEET 1	-	-	-



PULL OUT DIRECTION



POS	B(mm)	PCS./REEL	PCS/CARTON-T2
10P	44	600 PCS.	600X4=2400PCS

NOTE:
9-440055-0 10POS WAVE SOLDER PART CAP TYPE.

THIS DRAWING IS A CONTROLLED DOCUMENT.		DWN O.HU 09JUN2003	TE Connectivity															
DIMENSIONS: mm		CHK A.WU 09JUN2003																
TOLERANCES UNLESS OTHERWISE SPECIFIED:		APVD J.CHENG 09JUN2003	NAME															
0 PLC ± 0.3 1 PLC ± 0.25 2 PLC ± 0.15 3 PLC ± 0.05 4 PLC ± - ANGLES ± -		PRODUCT SPEC 108-57100	2.0 MM PITCH HPI RIGHT-ANGLE POST HEADERS															
MATERIAL		APPLICATION SPEC	SIZE	CAGE CODE	DRAWING NO	RESTRICTED TO												
FINISH		WEIGHT	A3	00779	C-440055	-												
<table border="1"> <thead> <tr> <th>2400</th> <th>600</th> <th>10P</th> <th>9-440055-0</th> </tr> <tr> <th>APQ</th> <th>PPQ</th> <th>POS.</th> <th>PART NUMBER</th> </tr> </thead> <tbody> <tr> <td>(PCS/CARTON)</td> <td>(PCS/REEL)</td> <td></td> <td></td> </tr> </tbody> </table>		2400	600	10P	9-440055-0	APQ	PPQ	POS.	PART NUMBER	(PCS/CARTON)	(PCS/REEL)			CUSTOMER DRAWING		SCALE 1:1	SHEET 3 OF 3	REV B4
2400	600	10P	9-440055-0															
APQ	PPQ	POS.	PART NUMBER															
(PCS/CARTON)	(PCS/REEL)																	

单击下面可查看定价，库存，交付和生命周期等信息

[>>TE Connectivity\(泰科\)](#)