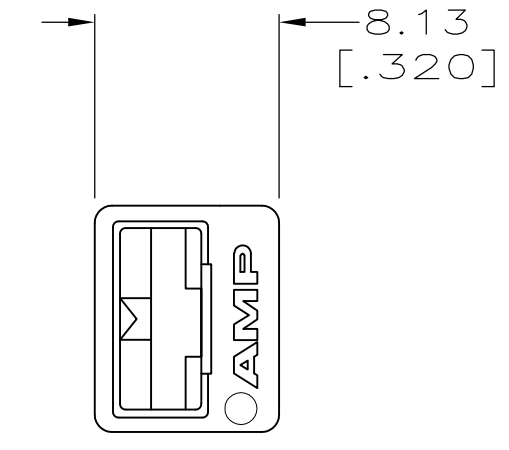
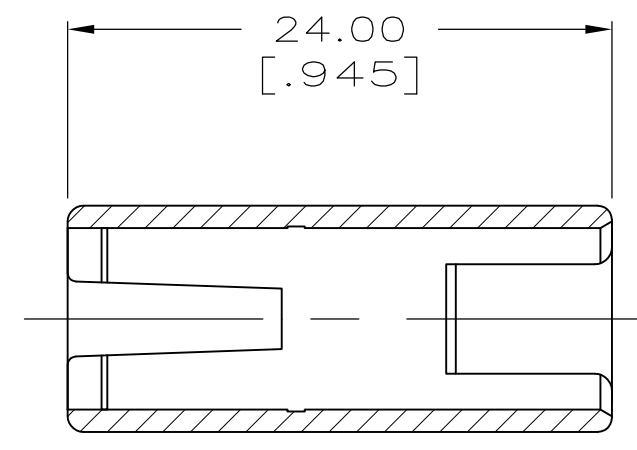
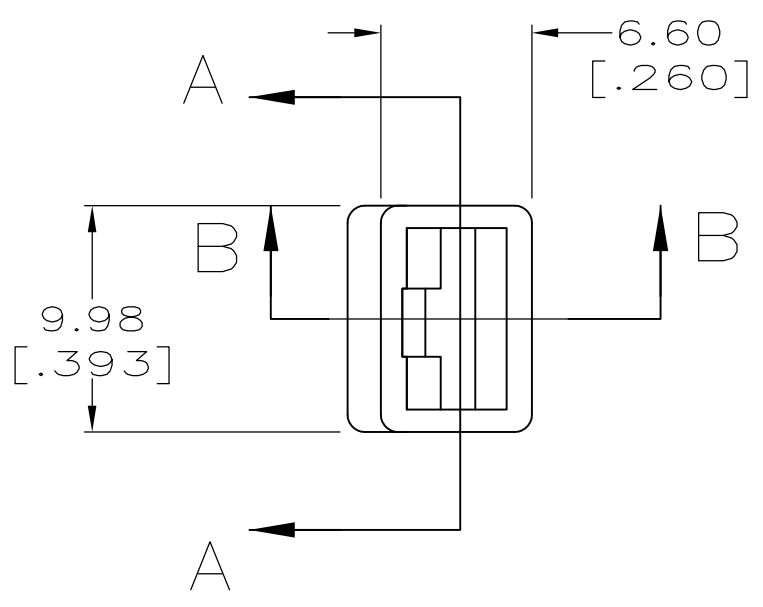
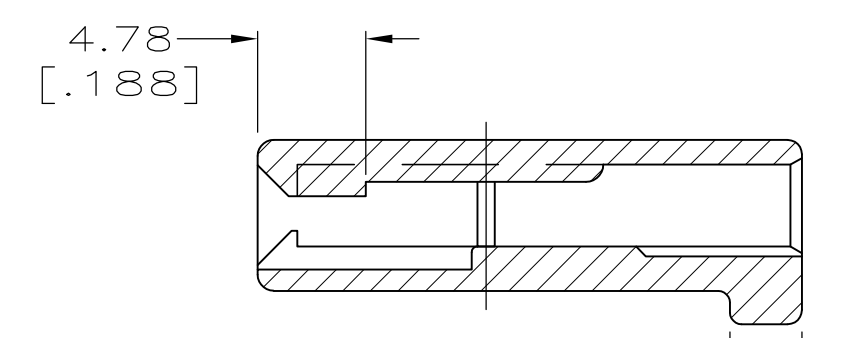


THIS DRAWING IS UNPUBLISHED. RELEASED FOR PUBLICATION  
 © COPYRIGHT - By - ALL RIGHTS RESERVED.

LOC	DIST	REVISIONS					
AF	50	P	LTR	DESCRIPTION	DATE	DWN	APVD
			U2	REVISED PER ECR-19-008977	18JUL2019	BDA	DS



SECTION A-A



SECTION B-B

1 PREPRODUCTION ONLY: AGENCY APPROVAL IS PENDING.

RED	NYLON VO	1-480054-5	1
BLACK	NYLON VO	1-480054-4	1
NATURAL	NYLON VO	1-480054-3	1
RED	6/6 NYLON	480054-5	
BLACK	6/6 NYLON	480054-4	
NATURAL	6/6 NYLON	480054-3	
<del>BLACK</del>	<del>CYCOLAC</del>	<del>480054-2</del>	
COLOR	MATERIAL	PART NO.	

OBSOLETE

THIS DRAWING IS A CONTROLLED DOCUMENT.		DWN	JR RUTH	08/JAN/99	TE Connectivity NAME HOUSING, RECEPT, FASTIN-FASTON, SINGLE CIRCUIT, 6.35 [.250] SERIES				
DIMENSIONS: mm [INCHES]		CHK	MS FEHER	08/JAN/99					
		APVD	S HEADER	08/JAN/99					
TOLERANCES UNLESS OTHERWISE SPECIFIED: 0 PLC ± - 1 PLC ± - 2 PLC ± 0.38 [.015] 3 PLC ± - 4 PLC ± - ANGLES ± -		PRODUCT SPEC	-						
MATERIAL	SEE TABLE	FINISH	SEE TABLE		APPLICATION SPEC	-			
		WEIGHT	-		SIZE	A3	CAGE CODE	00779	
		CUSTOMER DRAWING			SCALE	3:1	SHEET	1 OF 1	
					DRAWING NO	C-480054		RESTRICTED TO	-
					REV	U2			

单击下面可查看定价，库存，交付和生命周期等信息

[>>TE Connectivity\(泰科\)](#)