

THIS DRAWING IS UNPUBLISHED.

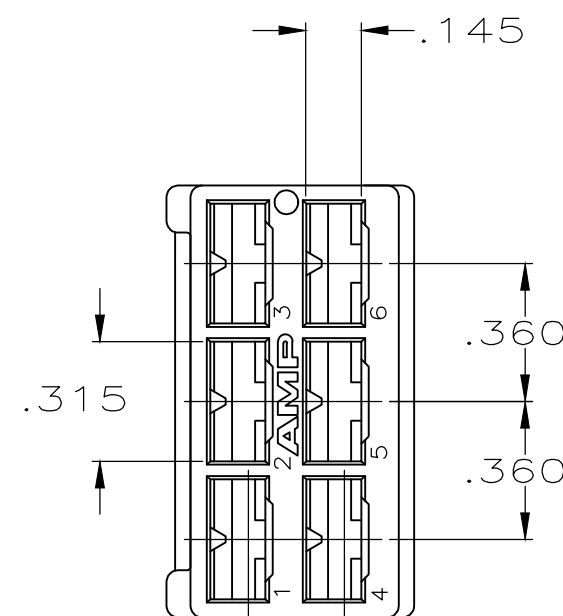
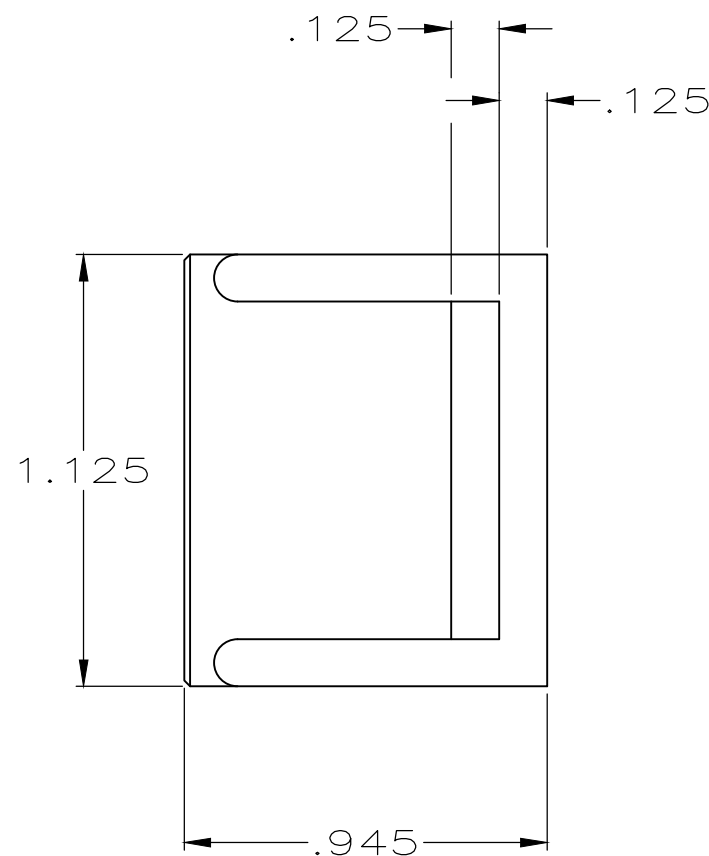
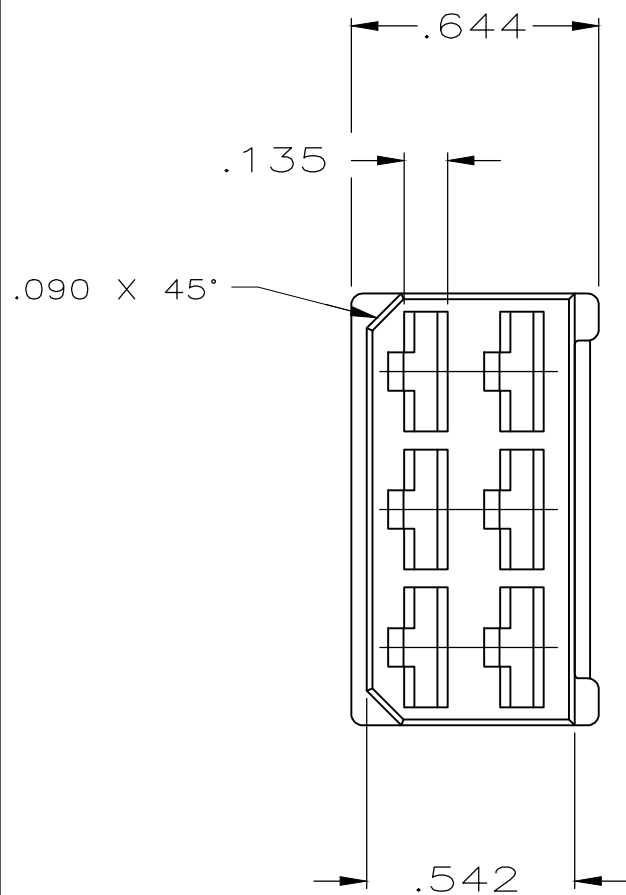
RELEASED FOR PUBLICATION

REVISIONS

© COPYRIGHT - TE Connectivity Ltd.

ALL RIGHTS RESERVED.

P	LTR	DESCRIPTION	DATE	DWN	APVD
	AB1	REVISED PER ECR-19-008978	12JUL2019	BDA	DS



1 FOR MOUNTING DIMENSIONS REFER TO CP-15708.

2 PREPRODUCTION ONLY: AGENCY APPROVAL IS PENDING.

BLACK	NYLON V0	480281-1
BLACK	NYLON-V2	1-480281-0
COLOR	MATERIAL	PART NUMBER

THIS DRAWING IS A CONTROLLED DOCUMENT.		DWN JR RUTH 2/5/91	TE Connectivity		
DIMENSIONS: INCHES		CHK P FORTNEY 2/5/91			
TOLERANCES UNLESS OTHERWISE SPECIFIED:		APVD C MEYERS 2/5/91	NAME HOUSING, RECEPTACLE, FASTIN-FASTON, .250 SERIES		
0 PLC ± -		PRODUCT SPEC D REINER 2/5/91	SIZE		
1 PLC ± -		APPLICATION SPEC	CAGE CODE	DRAWING NO	RESTRICTED TO
2 PLC ± -			WEIGHT	0.000000	A300779
3 PLC ± .015			C-480281		
4 PLC ± -			CUSTOMER DRAWING		
ANGLES ± -			SCALE	2:1	SHEET 1 OF 1
MATERIAL SEE TABLE		FINISH SEE TABLE	REV AB1		

单击下面可查看定价，库存，交付和生命周期等信息

[>>TE Connectivity\(泰科\)](#)