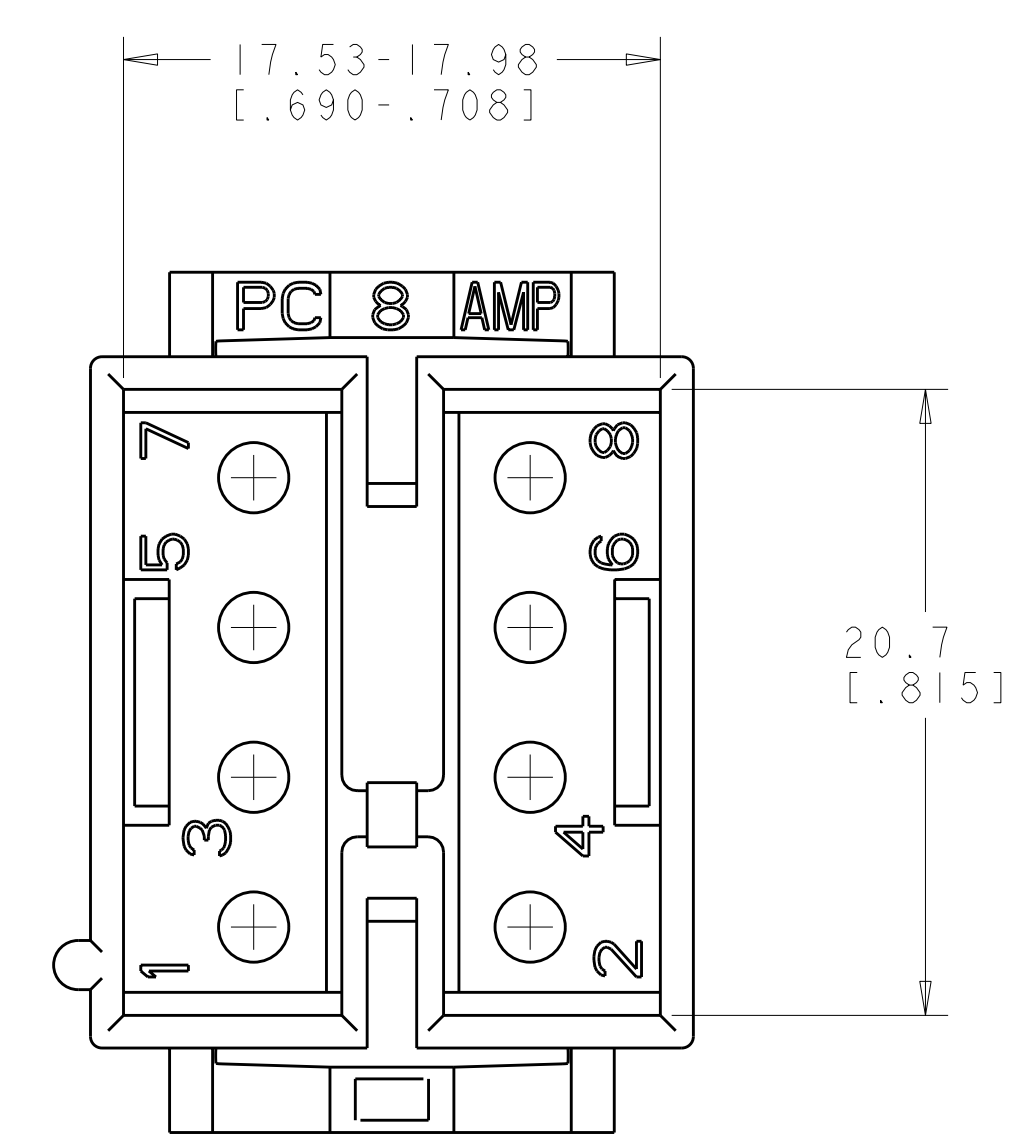
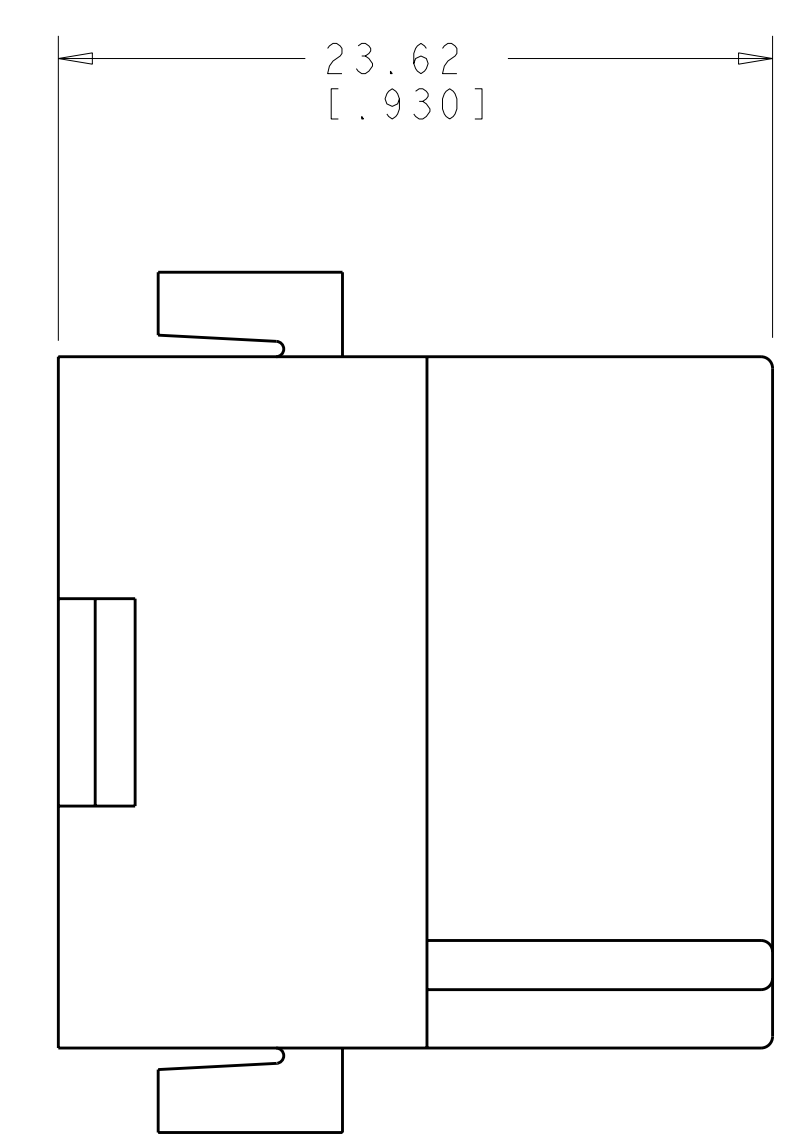
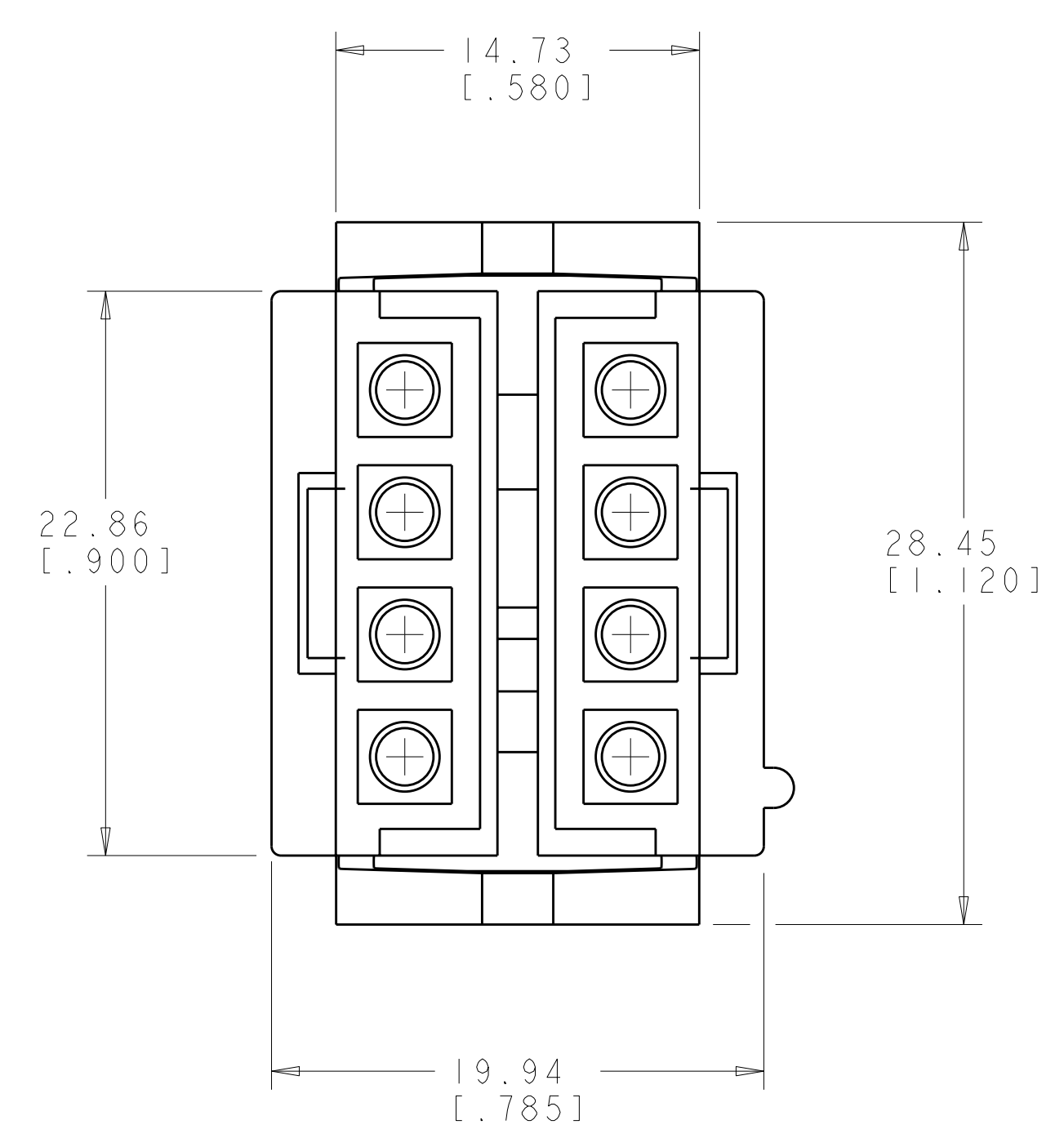
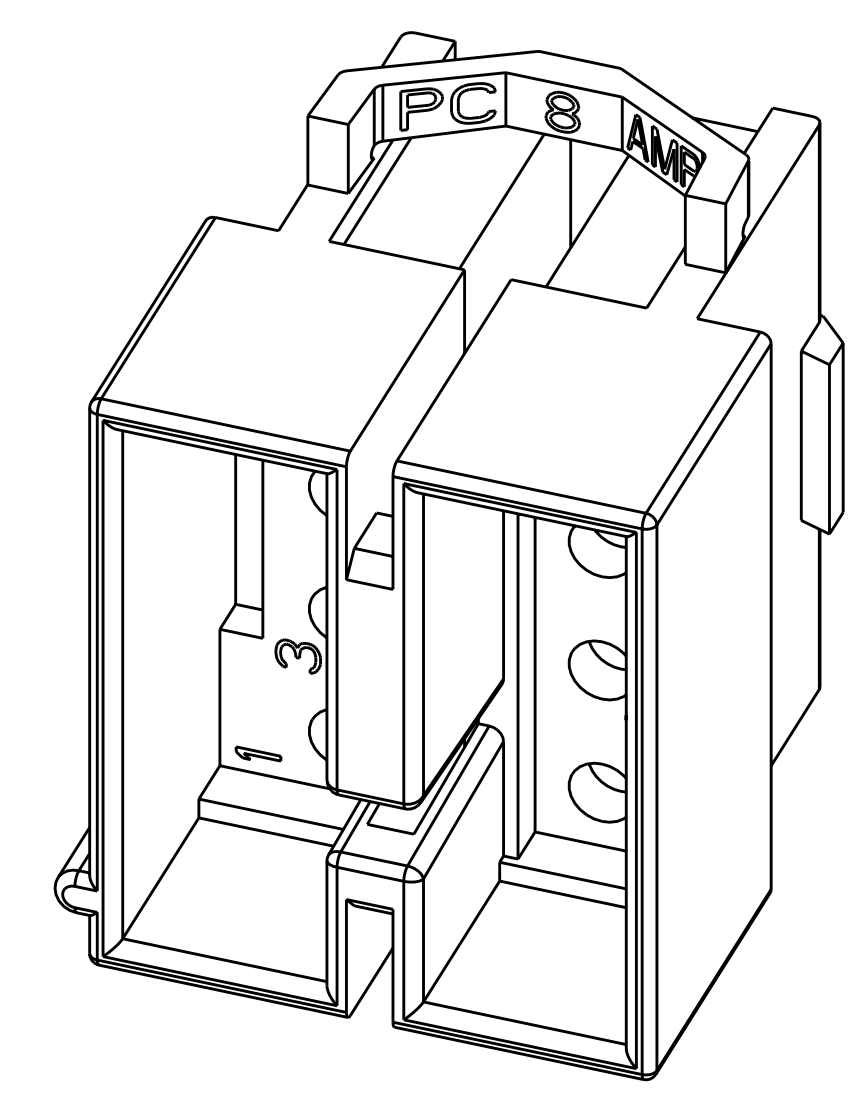
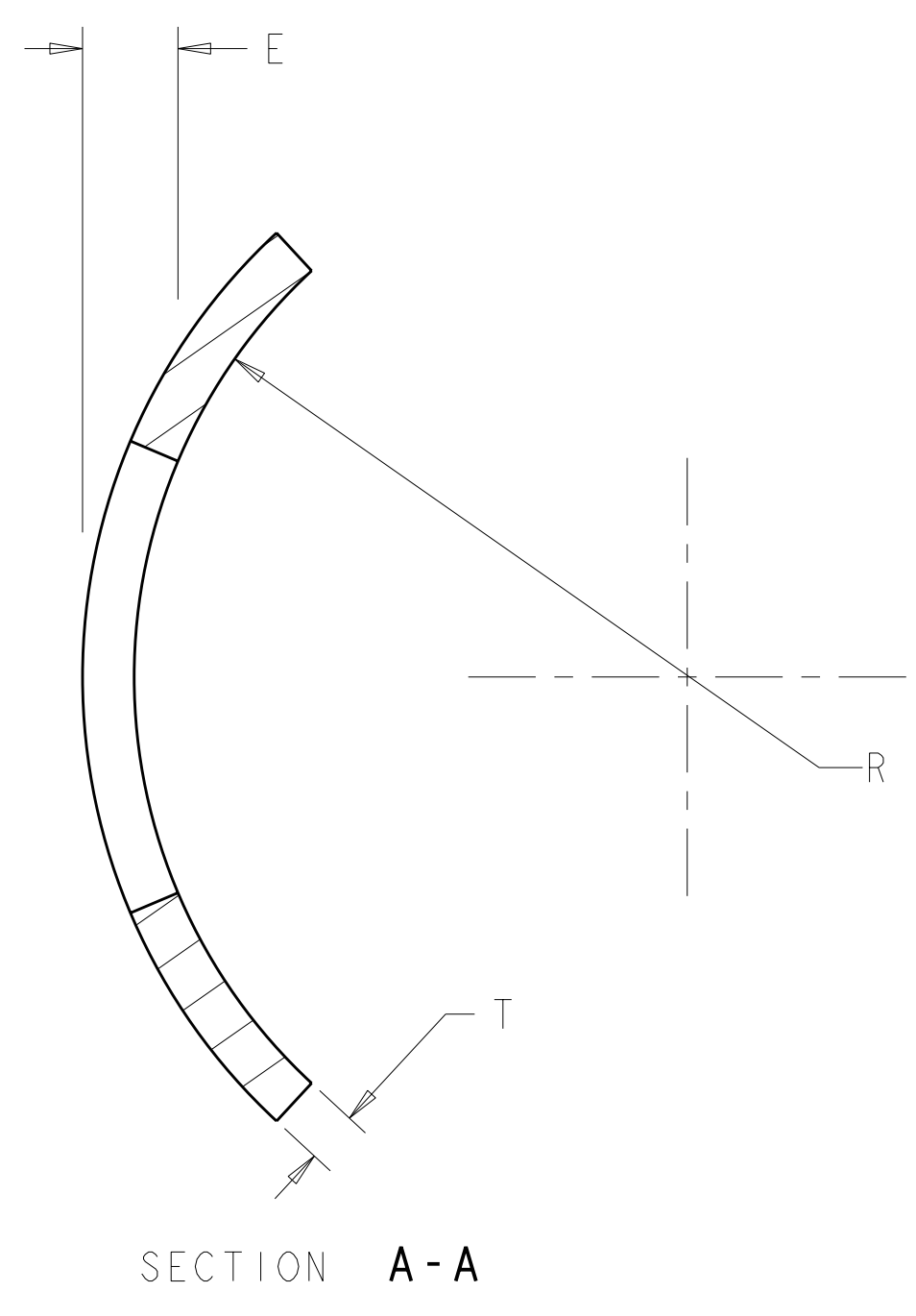
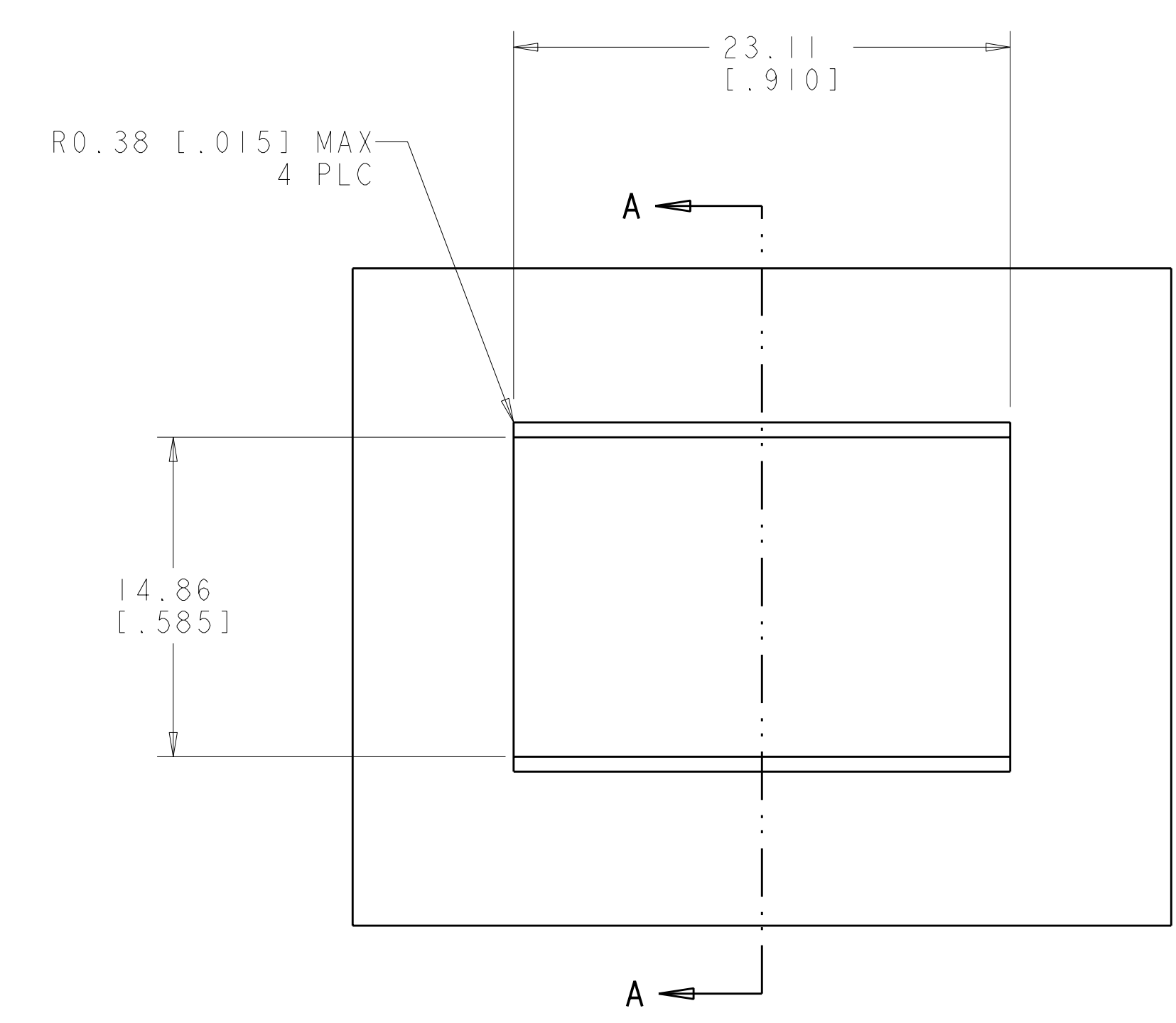
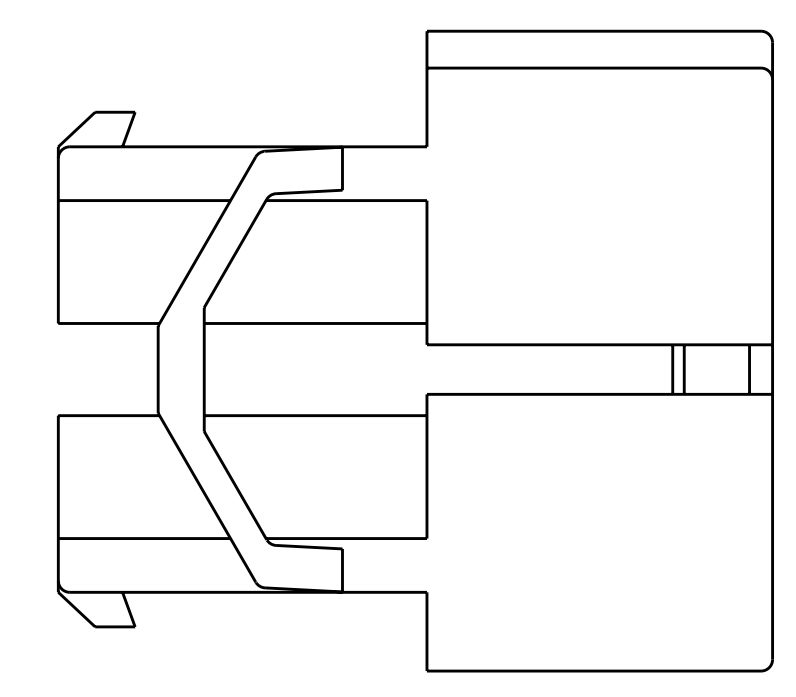


LOC	DIST	REV	DATE	DWN	APVD
CM	00	G	ECO-07-030154	20DEC2007	KW CC



1. TO BE USED WITH COMMERCIAL MATE-N-LOK™ PINS.
2. TO BE USED WITH PLUG 480283.
3. RECOMMENDED PANEL THICKNESS "E" IS 1.02-2.54 [1.040-1.100] AND IS DEPENDENT ON "T" AND "R".
4. HOUSING MUST BE INSERTED IN A ROCKING MANNER.
5. THE PANEL MUST BE PUNCHED SO THAT THE HOUSING ENTERS THE PANEL IN THE SAME DIRECTION AS THE PUNCH.
6. MOTOR MOUNT HOUSINGS MAY BE USED IN FLAT PANELS.



0.24 IN ³	1-480284-0
VOLUME	PART NUMBER

DIMENSIONS: mm [INCHES] TOLERANCES UNLESS OTHERWISE SPECIFIED: 9 PLC ± 8 PLC ±0.13 [1.005] 5 PLC ± 4 PLC ± ANGLES ±40° 30' FINISH - MATERIAL: NYLON, UL 94V-2 NATURAL		DWN: R. WHITAKER CHK: C. CASH APVD: C. CASH DATE: 20DEC2007 NAME: CAP. PRODUCT SPEC: 6 CIRCUIT, MOTOR MOUNT, COMMERCIAL MATE-N-LOK (TM) APPLICATION SPEC: WEIGHT: CUSTOMER DRAWING	Tyco Electronics Harrisburg, PA 17105-3608 SIZE: A CAGE CODE: 100779 DRAWING NO: C=480284 SCALE: 4:1 SHEET: 1 OF 1 REV: G
---	--	--	--



单击下面可查看定价，库存，交付和生命周期等信息

[>>TE Connectivity\(泰科\)](#)