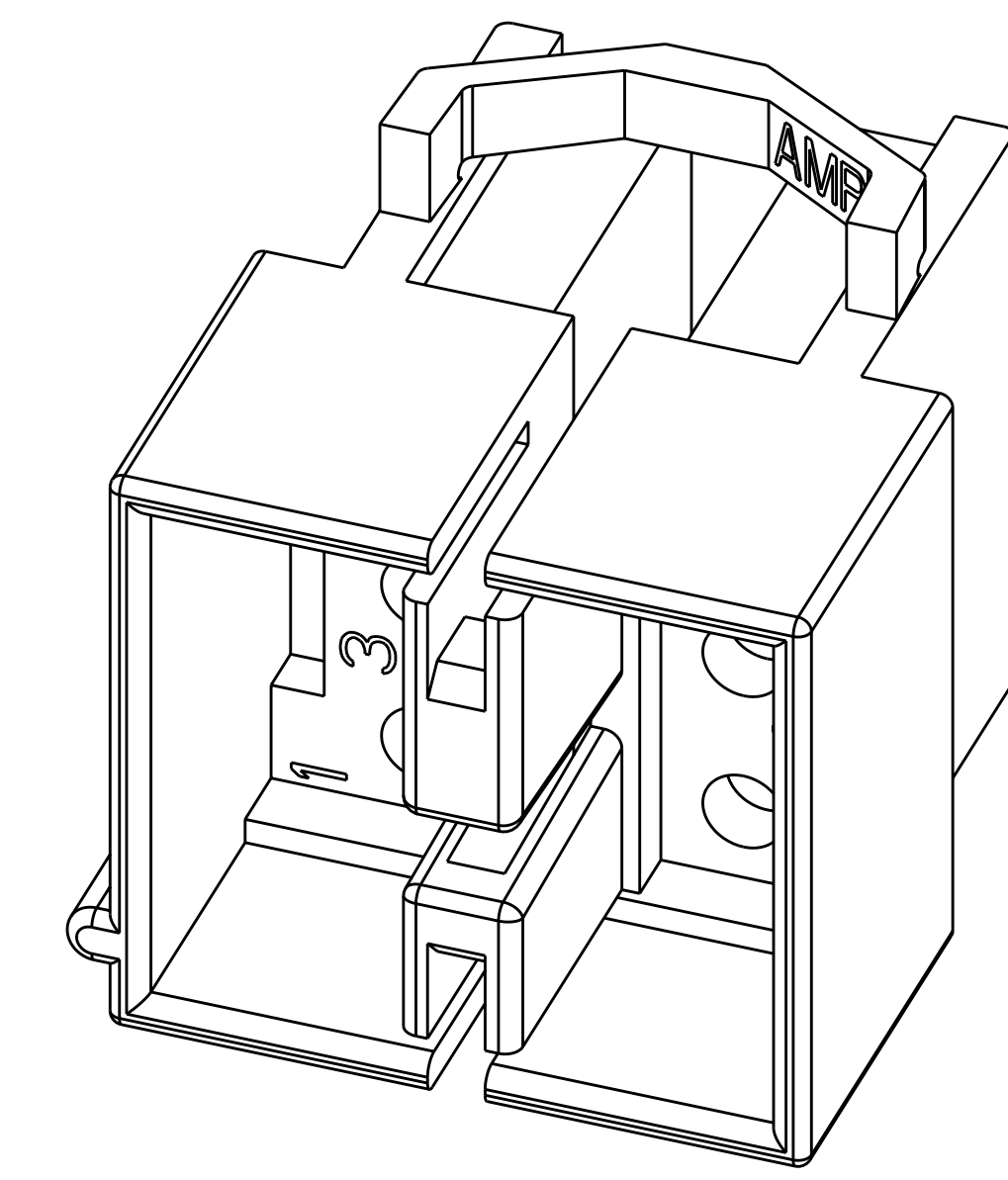
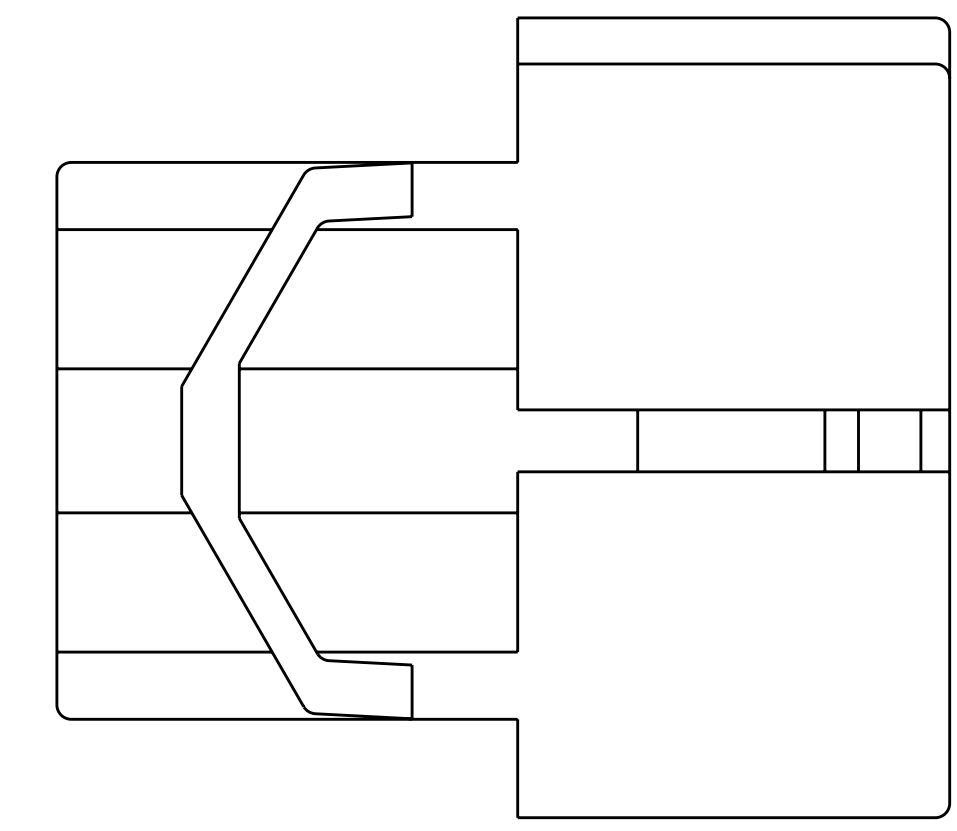
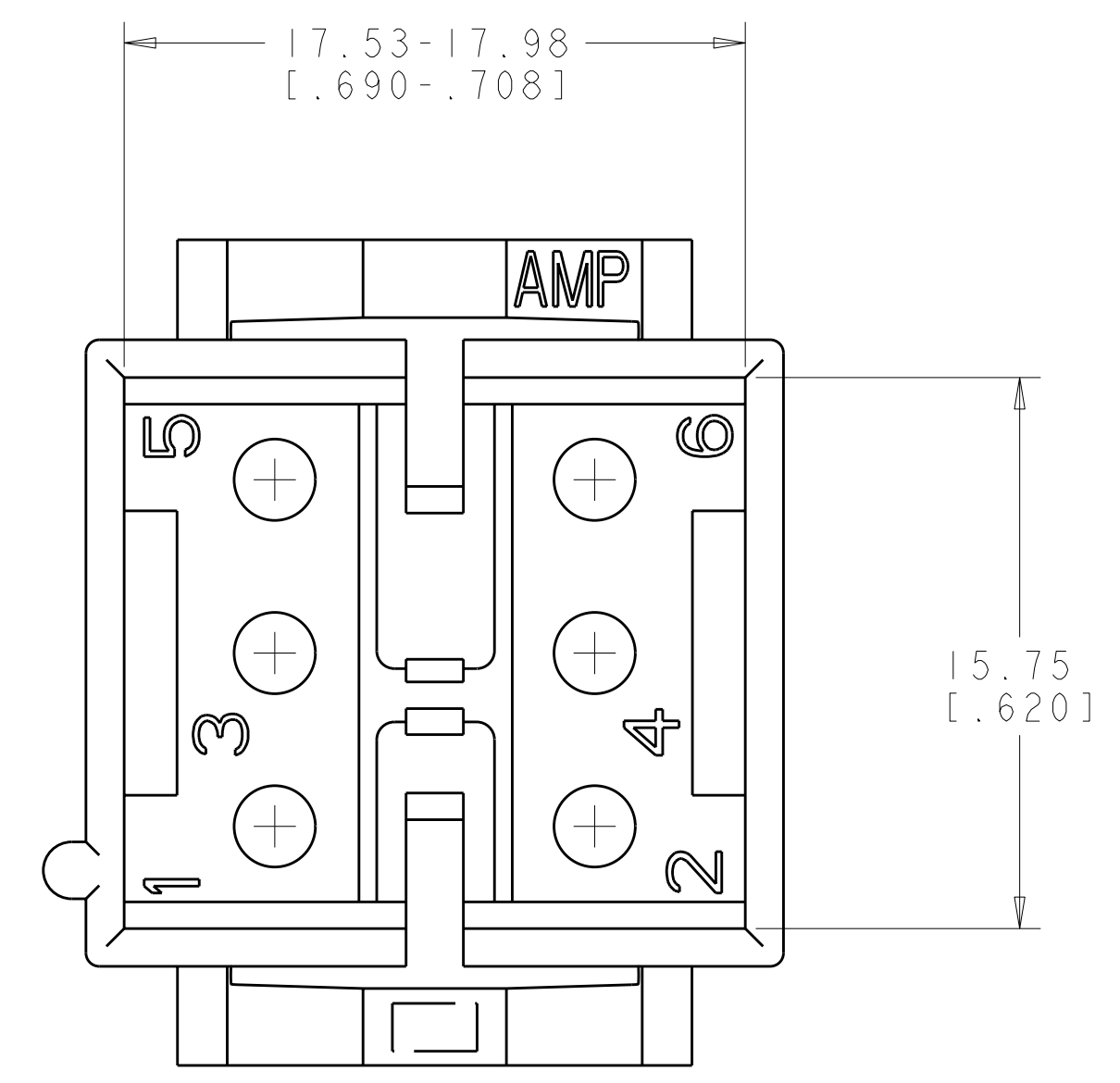
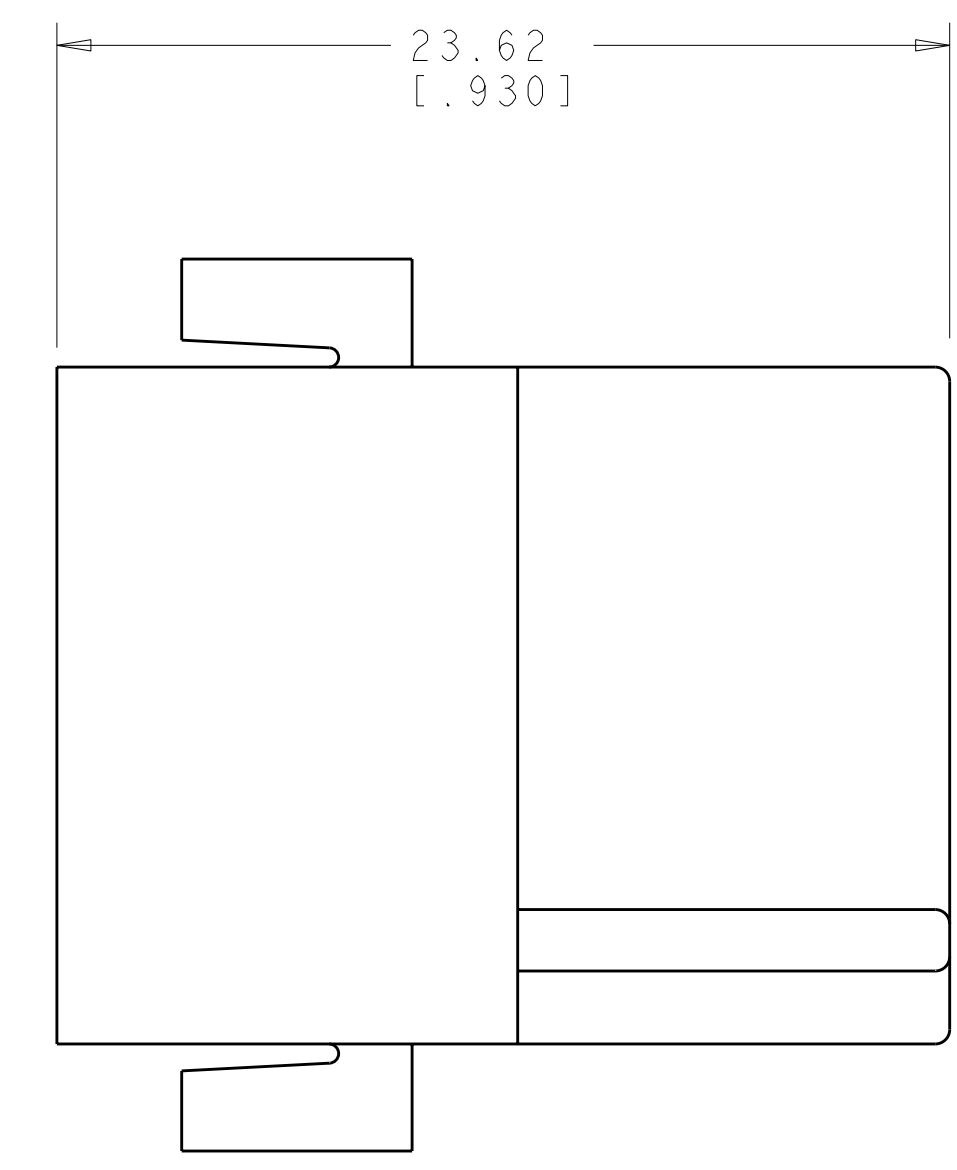
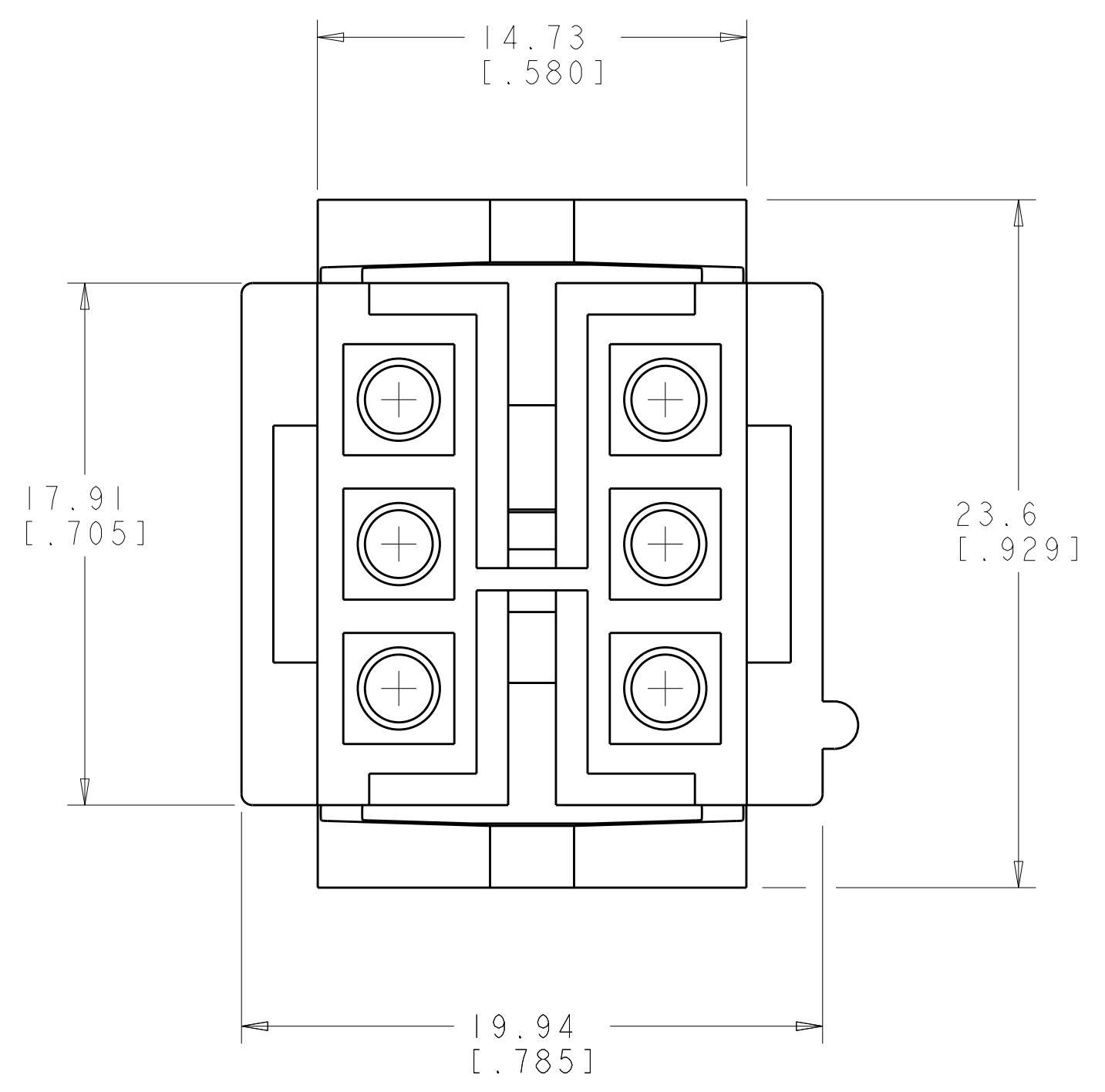


LOC	DIST	REVISIONS			
CM	00	REV	DATE	DWN	APVD
		J1	REVISD PER ECO-11-005027	17MAR2011	RK HMR

1. THIS CAP IS TO BE USED WITH PLUG 480270.
2. TO BE USED WITH APPROPRIATE COMMERCIAL MATE-N-LOK™ PINS.



0.184 IN <sup>3</sup>	1-480340-0
VOLUME	PART NUMBER

**METRIC**

THIS DRAWING IS A CONTROLLED DOCUMENT.		DWN: R. WHITAKER 01NOV2007	TE Connectivity
DIMENSIONS: mm [INCHES]		CHK: C. CASH 01NOV2007	
TOLERANCES UNLESS OTHERWISE SPECIFIED:		APVD: C. CASH 01NOV2007	NAME: CAP, 6 CIRCUIT, FREE HANGING, COMMERCIAL MATE-N-LOK (TM)
9 PLC ±	3 PLC ±0.13 (1.005)	PRODUCT SPEC	SIZE: A100779 C=480340
5 PLC ±	4 PLC ±	APPLICATION SPEC	RESTRICTED TO
4 PLC ±	ANGLES ±0°30'	WEIGHT	SCALE: 5:1 SHEET 1 OF 1 REV J1
MATERIAL: NYLON, U 94V-2, NATURAL	FINISH	CUSTOMER DRAWING	

单击下面可查看定价，库存，交付和生命周期等信息

[>>TE Connectivity\(泰科\)](#)