

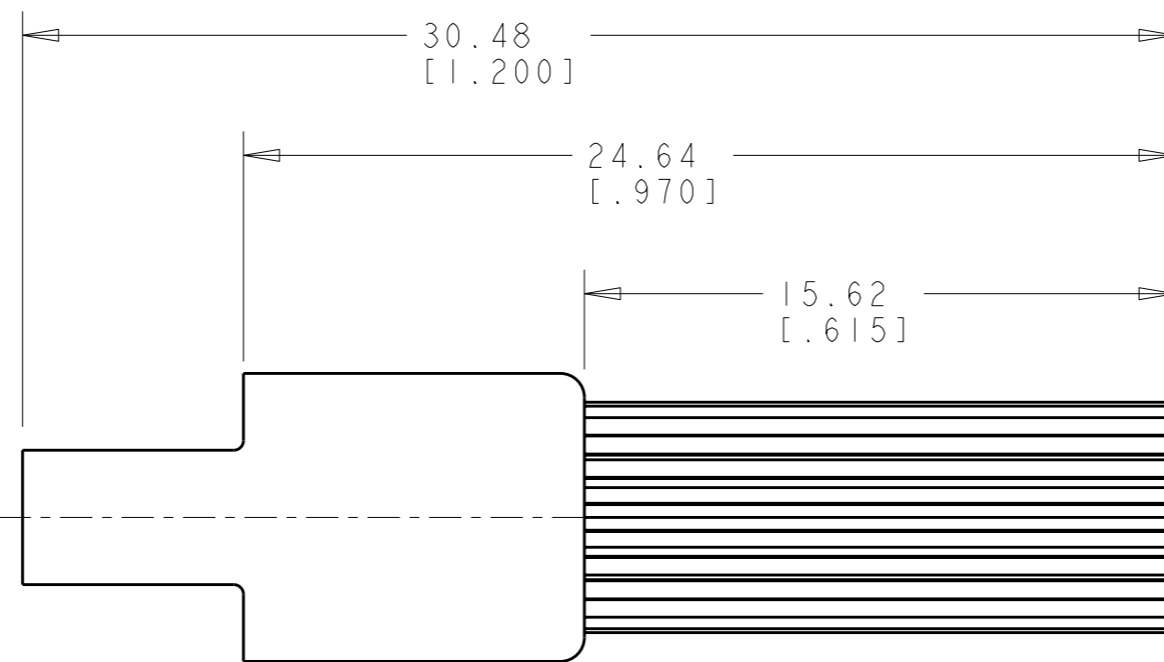
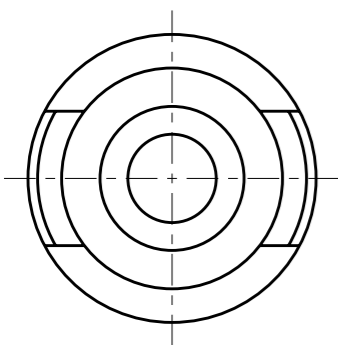
THIS DRAWING IS UNPUBLISHED. RELEASED FOR PUBLICATION 20

© COPYRIGHT 20 BY - ALL RIGHTS RESERVED.

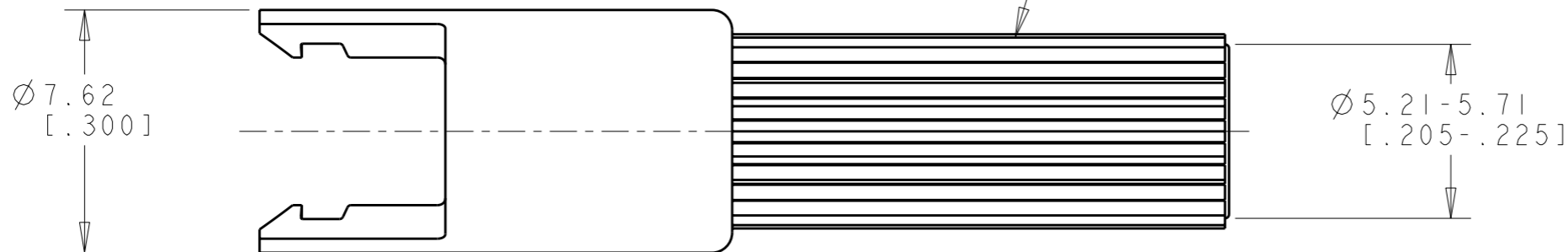
LOC CM DIST 00

REVISIONS

P	LTR	DESCRIPTION	DATE	DWN	APVD
	MI	REVISED PER ECO-11-005027	17MAR2011	RK	HMR



- 1. TO BE USED WITH MATE-N-LOK™ PINS
- 2. MATES WITH PLUG 480349.
- 3 RIBS ARE OPTIONAL CONSTRUCTION AND MAY NOT APPEAR ON PART.

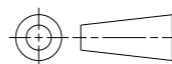


RED	1-480350-2
NATURAL	1-480350-0
COLOR	PART NUMBER

METRIC

THIS DRAWING IS A CONTROLLED DOCUMENT.

DIMENSIONS:
mm [INCHES]



MATERIAL NYLON, 94V-2

TOLERANCES UNLESS OTHERWISE SPECIFIED:

0 PLC	±-
1 PLC	±-
2 PLC	±0.13 [.005]
3 PLC	±-
4 PLC	±-
ANGLES	±-
FINISH	-

DWN 22-MAR-2002
K. WHITAKER
CHK 22-MAR-2002
D. COLEY
APVD 22-MAR-2002
D. COLEY

PRODUCT SPEC -
APPLICATION SPEC -
WEIGHT -
CUSTOMER DRAWING

STE TE Connectivity

CAP,
SINGLE CIRCUIT,
COMMERCIAL MATE-N-LOK(TM)

NAME	SIZE	CAGE CODE	DRAWING NO	RESTRICTED TO
	A3	00779	C-480350	-
SCALE	SHEET	OF	REV	
5:1	1	1	MI	

单击下面可查看定价，库存，交付和生命周期等信息

[>>TE Connectivity\(泰科\)](#)