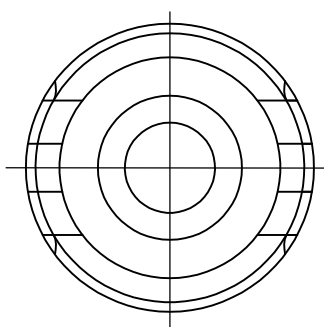


THIS DRAWING IS UNPUBLISHED. RELEASED FOR PUBLICATION
 © COPYRIGHT BY TYCO ELECTRONICS CORPORATION. ALL RIGHTS RESERVED.

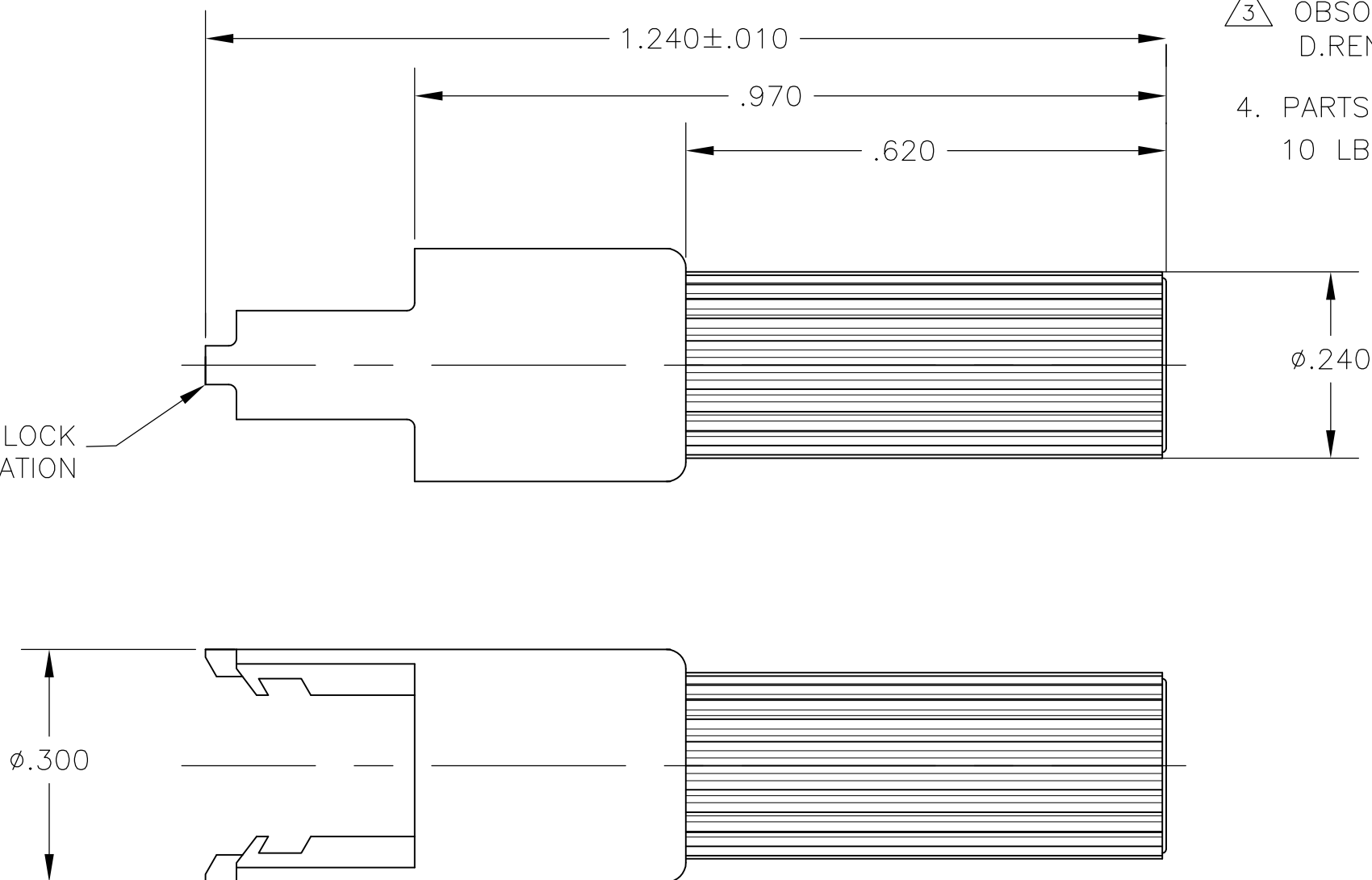
LOC CM DIST 00

REVISIONS					
P	LTR	DESCRIPTION	DATE	DWN	APVD
	H3	REVISED PER ECR-16-001655	15FEB2016	SC	DZ

1. TO BE USED WITH APPROPRIATE COMMERCIAL MATE-N-LOK(TM) PINS.
2. MATES WITH PLUG 480349.
3. OBSOLETE PARTS: OBSOLETE CIS STREAMLINING PER D.RENAUD/D.SINISI
4. PARTS SHALL HAVE AN EXTRACTION FORCE OF 10 LBS MINIMUM WHEN MATED WITH 480349 PARTS.



POSITIVE LOCK IDENTIFICATION



3	OBSOLETE	COLOR	PART NUMBER
		BLACK	1-480351-9
		GREEN	1-480351-5
		RED	1-480351-2
		NATURAL	1-480351-0

THIS DRAWING IS A CONTROLLED DOCUMENT.		DWN K. WHITAKER 15SEP2006	Tyco Electronics Corporation Harrisburg, PA 17105-3608		
DIMENSIONS: INCHES	TOLERANCES UNLESS OTHERWISE SPECIFIED: 0 PLC ± 1 PLC ± 2 PLC ±.005 3 PLC ± 4 PLC ± ANGLES ±0°30'	CHK D. COLEY 15SEP2006	NAME		
		APVD D. COLEY 15SEP2006	CAP, SINGLE CIRCUIT, COMMERCIAL MATE-N-LOK(TM)		
MATERIAL NYLON,94V-2	FINISH -	PRODUCT SPEC	SIZE	CAGE CODE	DRAWING NO
		APPLICATION SPEC	A3	00779	C-480351
		WEIGHT	RESTRICTED TO		
		CUSTOMER DRAWING		SCALE 5:1	SHEET 1 OF 1
				REV H3	

单击下面可查看定价，库存，交付和生命周期等信息

[>>TE Connectivity\(泰科\)](#)