

4

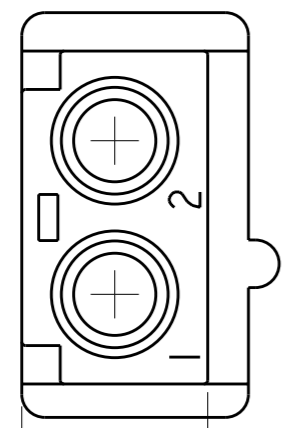
3

2

1

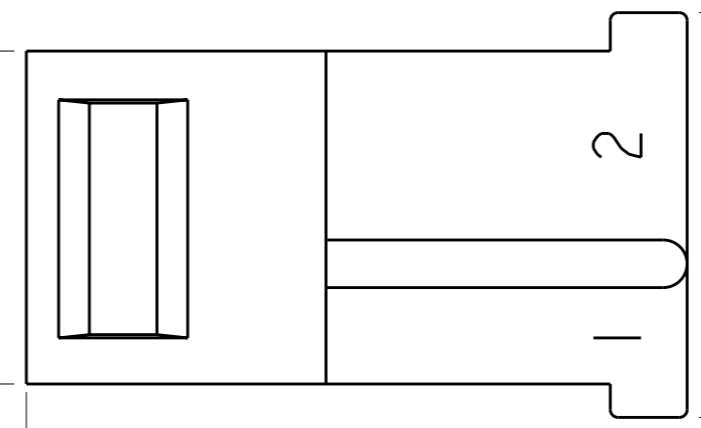
THIS DRAWING IS UNPUBLISHED. RELEASED FOR PUBLICATION 20
 © COPYRIGHT 20 BY TYCO ELECTRONICS CORPORATION. ALL RIGHTS RESERVED.

LOC	DIST	REVISIONS					
		P	LTR	DESCRIPTION	DATE	DWN	APVD
CM	00						
				REVISD PER ECR 12-000628	11JAN12	JR	TM



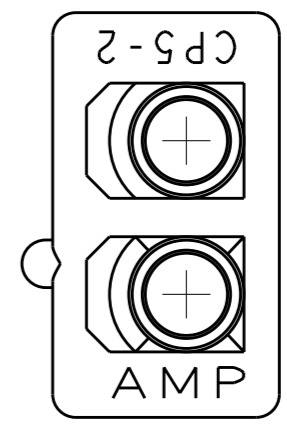
10.97-11.08
[.432-.437]

6.10-6.22
[.240-.245]

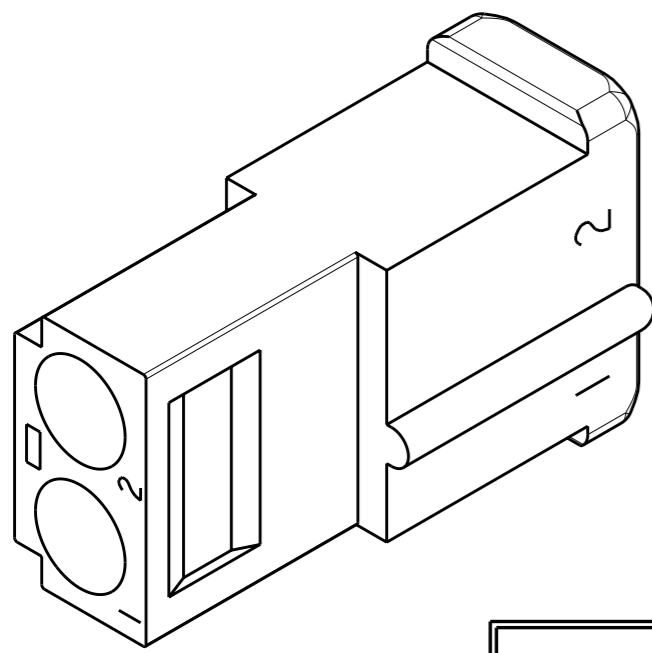


21.84
[.860]

13.39
[.527]



7.49
[.295]



1-480393-1
PART NO

METRIC

THIS DRAWING IS A CONTROLLED DOCUMENT FOR TYCO ELECTRONICS CORPORATION
 IT IS SUBJECT TO CHANGE AND THE CONTROLLING ENGINEERING ORGANIZATION
 SHOULD BE CONTACTED FOR THE LATEST REVISION.

DIMENSIONS: mm [INCHES]	TOLERANCES UNLESS OTHERWISE SPECIFIED:
	0 PLC ±-
	1 PLC ±-
	2 PLC ±0.13 [.005]
	3 PLC ±-
	4 PLC ±-
	ANGLES ±0° 30'
MATERIAL NYLON, UL94V-2, BLACK WEATHER RESISTANT	FINISH -

DWN K. WHITAKER 16-APR-2003	Tyco Electronics Harrisburg, PA 17105-3608
CHK D. COLEY 16-APR-2003	
APVD D. COLEY 16-APR-2003	
PRODUCT SPEC -	NAME PLUG, 2 CIRCUIT, COMMERCIAL MATE-N-LOK™
APPLICATION SPEC -	SIZE A3
WEIGHT -	CAGE CODE 00779
CUSTOMER DRAWING	DRAWING NO C-480393
	RESTRICTED TO -
	SCALE 4:1
	SHEET 1
	OF 1
	REV D1

单击下面可查看定价，库存，交付和生命周期等信息

[>>TE Connectivity\(泰科\)](#)