

THIS DRAWING IS UNPUBLISHED.

RELEASED FOR PUBLICATION

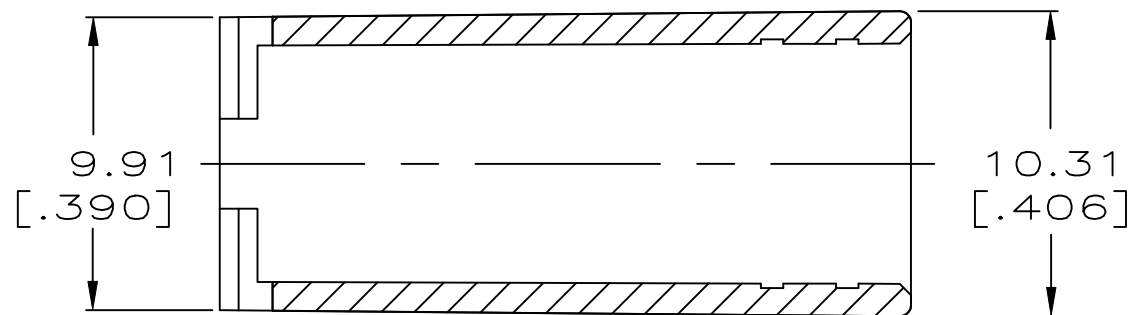
ALL RIGHTS RESERVED.

© COPYRIGHT - By -

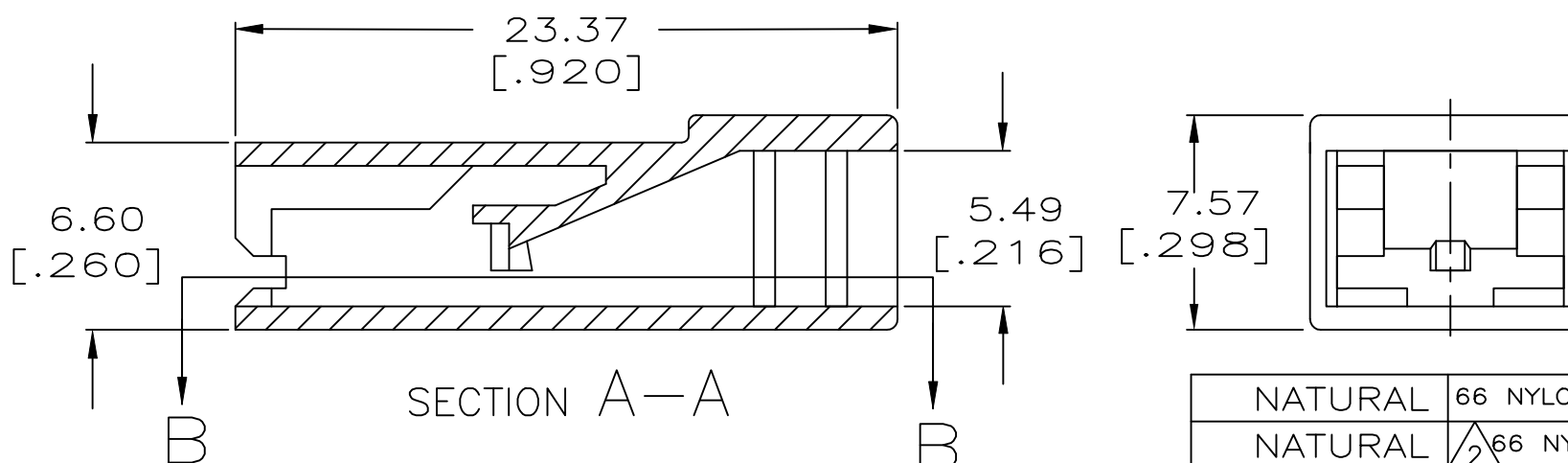
REVISIONS

P	LTR	DESCRIPTION	DATE	DWN	APVD
	AC12	REVISED PER ECR-19-004061	14MAR2019	BH	E.W

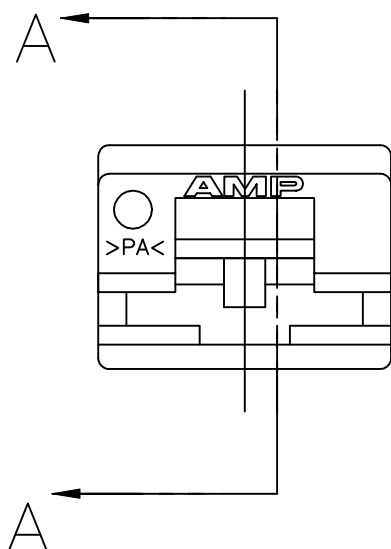
- 1 SPECIAL PACKAGING QUANTITIES.
- 2 POLYAMIDE ACCORDING TO IEC 60335-1, GLOW WIRE.
- 3 PRELIMINARY - NOT FOR PRODUCTION
- 5 CONTACT PRODUCT ENGINEERING FOR TERMINAL RECOMMENDATIONS WHEN USING THIS INSULATOR WITH 10 AWG WIRE



SECTION B-B



SECTION A-A



NATURAL	66 NYLON, UL94 V0 150C	3	2-480416-4
NATURAL	66 NYLON, UL94 V0	3	2-480416-3
NATURAL	UL94 V2	2	2-480416-2
NATURAL	6/6 NYLON	3, 1	2-480416-1
NATURAL	UL94 5VA RATED	3	2-480416-0
NATURAL	4/6 NYLON UL 150		1-480416-8
NATURAL	66 NYLON, V0		1-480416-7
NATURAL	POLYESTER		1-480416-6
RED	6/6 NYLON		1-480416-4
BLUE			1-480416-3
BLACK			1-480416-1
NATURAL			1-480416-0
FINISH	MATERIAL		PART NO

SUPERSEDED BY 2-480416-5

SUPERSEDED BY 1-480416-0

OBSOLETE

SUPERSEDED BY 1-480416-0

THIS DRAWING IS A CONTROLLED DOCUMENT.

DWN JR RUTH 2/4/91

CHK P FORTNEY 2/4/91

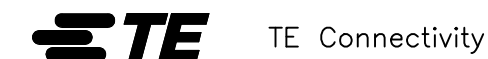
APVD C MEYERS 2/4/91

PRODUCT SPEC

APPLICATION SPEC

WEIGHT

CUSTOMER DRAWING



NAME HOUSING, RECEPTACLE, FASTON, 6.35 [.250] SERIES

SIZE	CAGE CODE	DRAWING NO	RESTRICTED TO
A3	00779	C-480416	-

SCALE 4:1 SHEET 1 of 1 REV AC12

2	NATURAL	66 UL NYLON V0 NATURAL	2-480416-5
	BLACK	66/6 V0 BLACK	480416-2
	NATURAL	66/6 V0 NATURAL	480416-1
	FINISH	MATERIAL	PART NO

DIMENSIONS:	TOLERANCES UNLESS OTHERWISE SPECIFIED:
mm [INCHES]	
	0 PLC ± -
	1 PLC ± -
	2 PLC ± 0.38 [.015]
	3 PLC ± -
	4 PLC ± -
	ANGLES ± -
MATERIAL	FINISH
SEE TABLE	SEE TABLE

单击下面可查看定价，库存，交付和生命周期等信息

[>>TE Connectivity\(泰科\)](#)