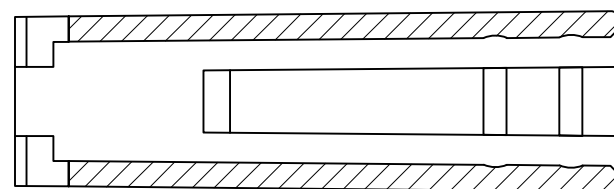


THIS DRAWING IS UNPUBLISHED. RELEASED FOR PUBLICATION
 © COPYRIGHT - By - ALL RIGHTS RESERVED.

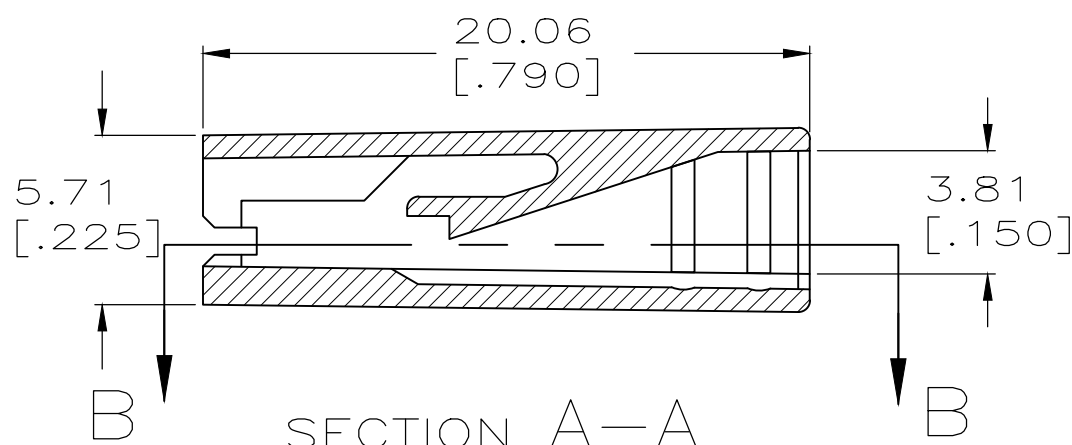
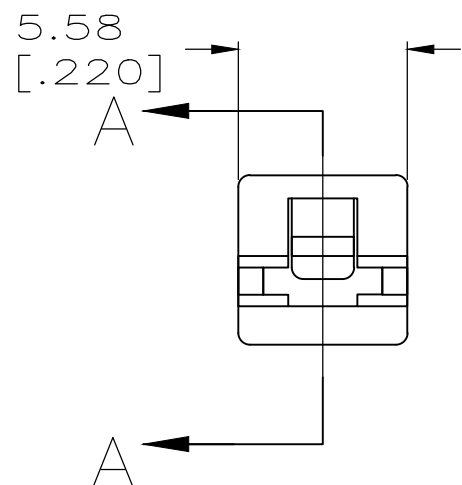
LOC	DIST	REVISIONS			
P	LTR	DESCRIPTION	DATE	DWN	APVD
AF	50	L3	REVISED PER ECR-19-018559	13DEC2019	BDA DH

△1 POLYAMIDE UL94, V2, ACCORDING TO IEC 60335-1 GLOW IWRE.

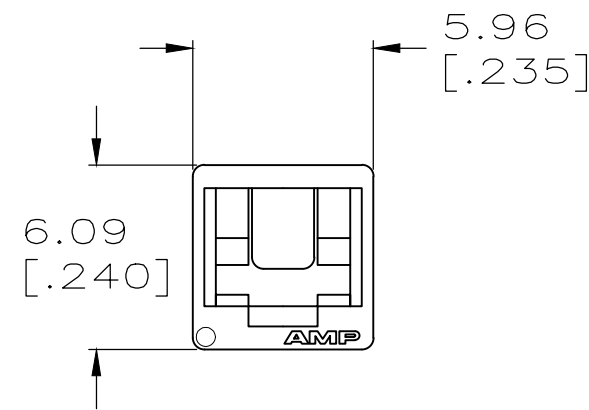
△2 PRELIMINARY - NOT FOR PRODUCTION



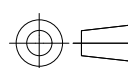
SECTION B-B



SECTION A-A



NATURAL	△1 NYLON, V2	△2 1-480417-3
NATURAL	NYLON, V0	△2 1-480417-2
BLACK	NYLON, V2	1-480417-1
NATURAL	NYLON, V2	1-480417-0
COLOR	MATERIAL	PART NO.

THIS DRAWING IS A CONTROLLED DOCUMENT.		DWN	JR RUTH	2/8/91	STE TE Connectivity		
		CHK	MS FEHER	2/8/91			
DIMENSIONS: mm [INCHES]		TOLERANCES UNLESS OTHERWISE SPECIFIED:		NAME			
		0 PLC	± -	HOUSING, RECEPTACLE, FASTON, .110 SERIES			
		1 PLC	± -				
MATERIAL SEE TABLE		2 PLC	± -	PRODUCT SPEC			
		3 PLC	± 0.38 [.015]	APPLICATION SPEC			
FINISH SEE TABLE		4 PLC	± -	SIZE			
		ANGLES	± -	CAGE CODE			
				DRAWING NO			
				RESTRICTED TO			
				A3 00779 C-480417			
				SCALE 4:1 SHEET 1 OF 1 REV L3			
				CUSTOMER DRAWING			

单击下面可查看定价，库存，交付和生命周期等信息

[>>TE Connectivity\(泰科\)](#)