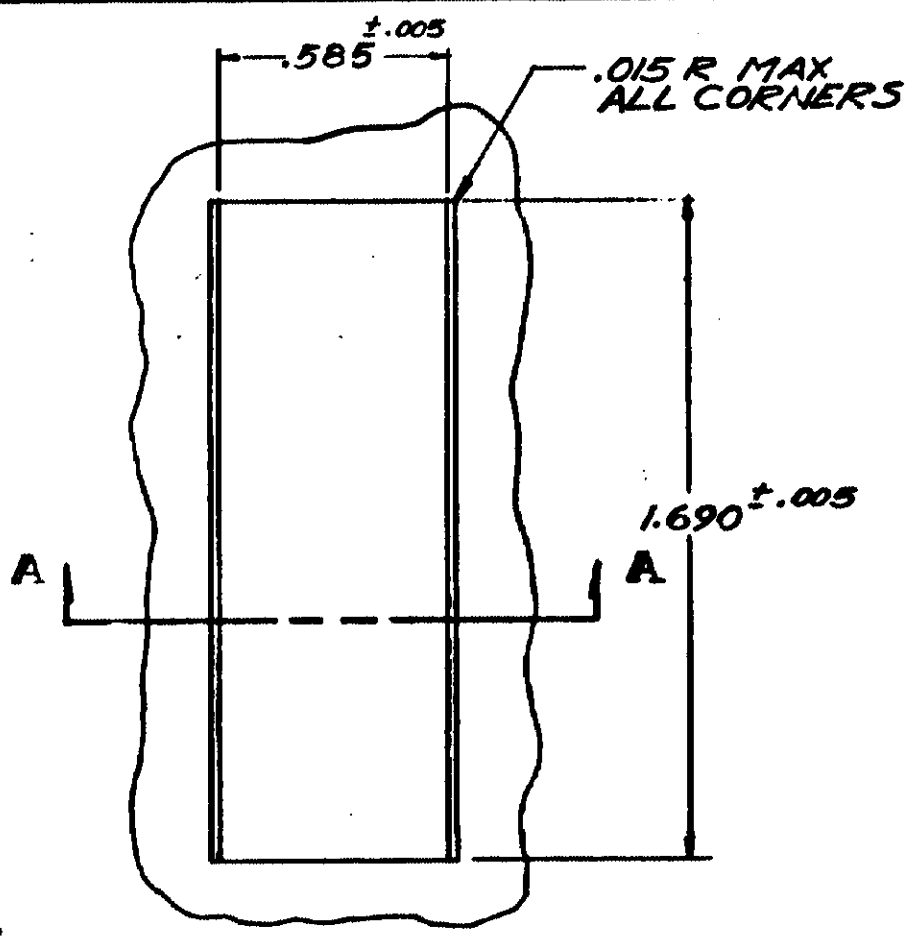


DRAWING NUMBER 480439



SEC. A-A

1. EFFECTIVE PANEL THICKNESS "E" IS .040-.100 AND IS DEPENDENT ON "T" AND "R".
2. CAP MUST BE INSERTED IN A ROCKING MANNER.
3. THE PANEL MUST BE PUNCHED SO THAT THE HOUSING ENTERS THE PANEL IN THE SAME DIRECTION AS THE PUNCH
4. PANEL MUST NOT HAVE ANY MATERIAL (PAINT, PORCELAIN, ETC.) APPLIED IN THE MOUNTING HOLE AREA THAT WOULD DECREASE RETENTION OF THE HOUSING IN THE PANEL.

DIMENSIONS IN INCHES DO NOT SCALE PRINT

©1966 BY AMP INCORPORATED. ALL RIGHTS RESERVED. AMP PRODUCTS COVERED BY PATENTS AND/OR PATENTS PENDING.

CUSTOMER COPY REFERENCE ONLY

MATERIAL AND FINISH

_____ X _____



CLASS _____ X _____

WIRE — RANGE — INSULATION

_____ X _____ X _____

TYPE _____ X _____

LTR	REVISION RECORD	DR	CHK	DATE
	J. P. YUNKLE			
	1/23/67			1/24/67

TOLERANCE EXCEPT AS NOTED	SCALE	LOC	NO	REV
± 1° 0'	2x1	CM	A 480439	B
NAME RECOMMENDED MOUNTING INFORMATION FOR 16 CIRCUIT MATE-N-LOK MOTOR MOUNT CAP				

单击下面可查看定价，库存，交付和生命周期等信息

[>>TE Connectivity\(泰科\)](#)