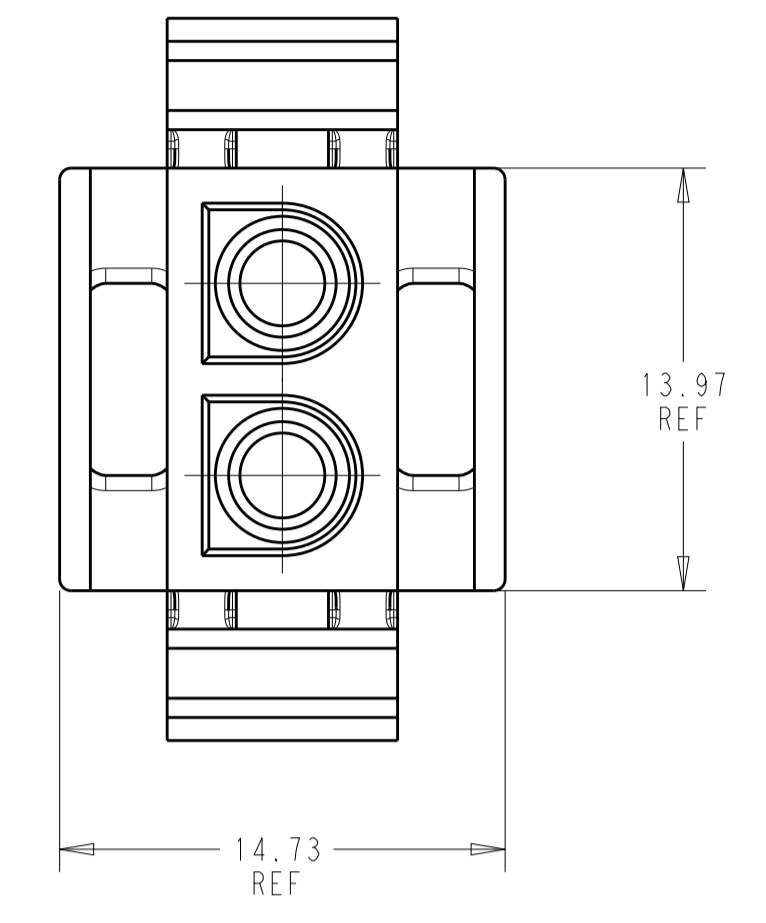
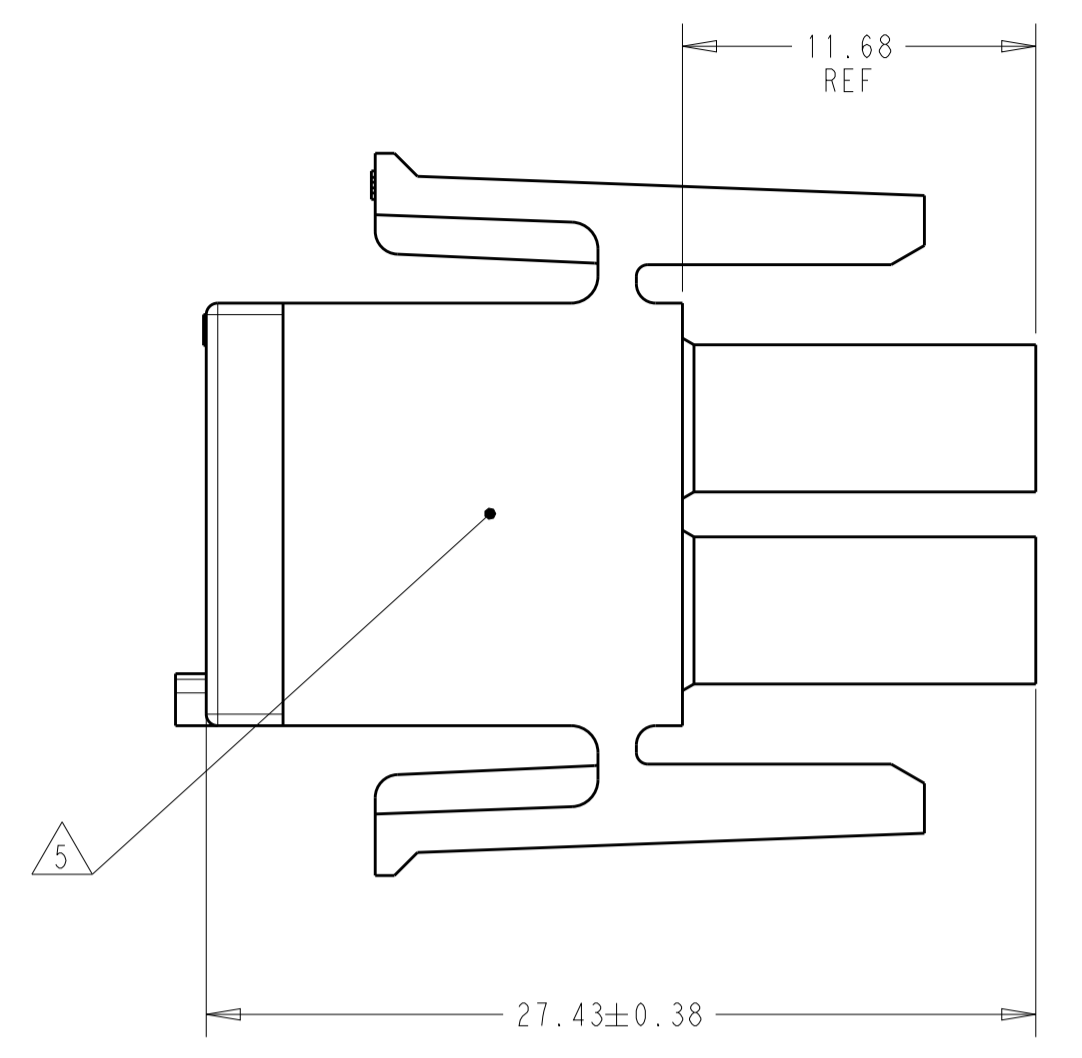
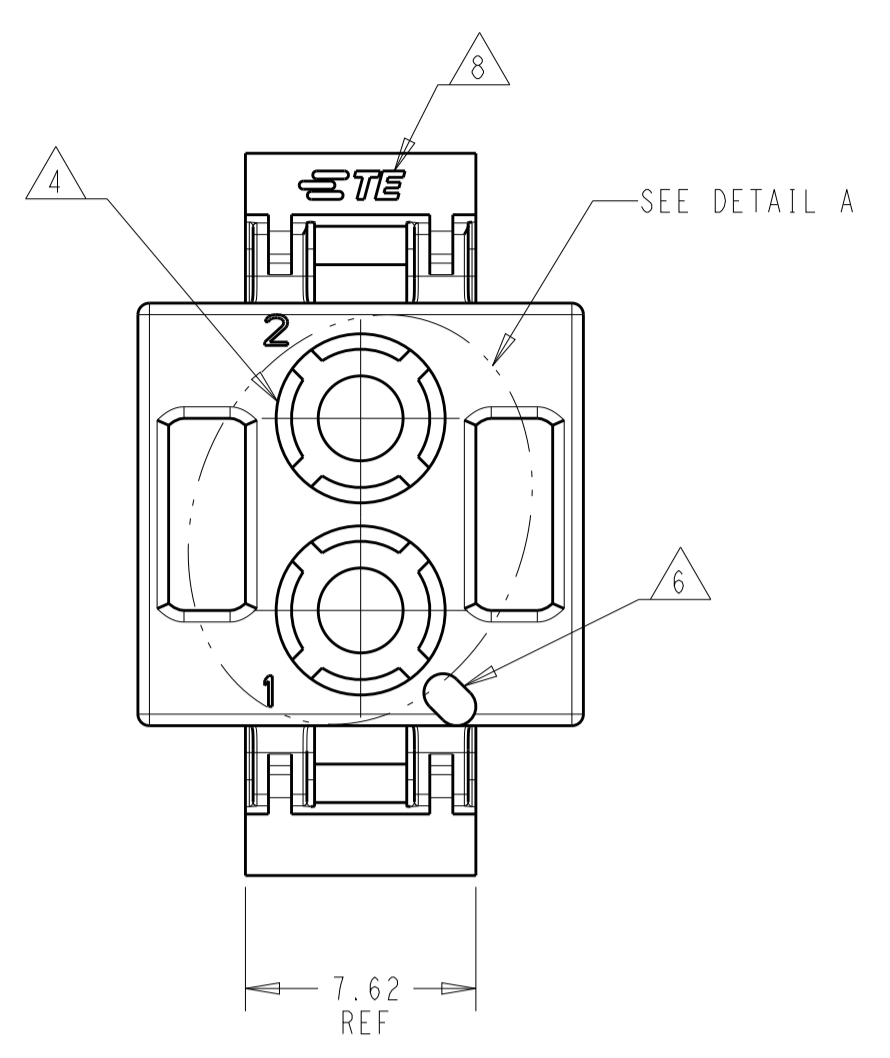
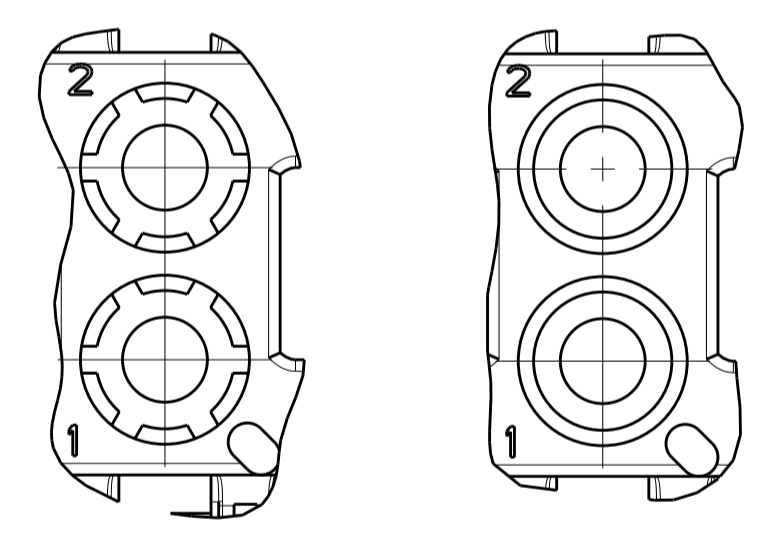
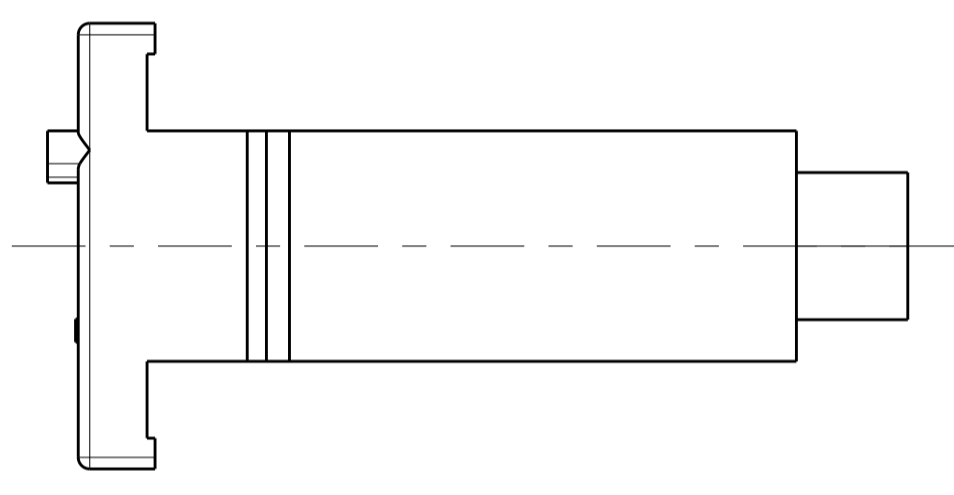


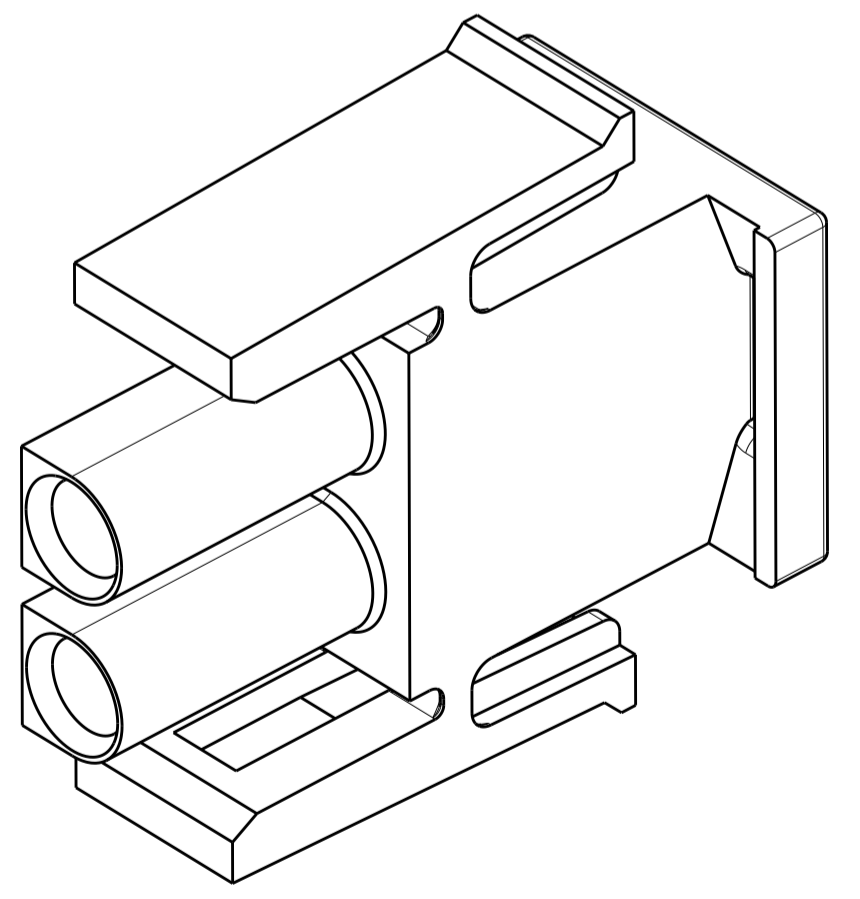
REVISIONS				
P.	LTN	DESCRIPTION	DATE	APVD
AH6		REDRAWN PER ECO-19-005708	07MAY2019	BKW SF



- MATES WITH APPROPRIATE UNIVERSAL MATE-N-LOCK™ CAP OR HEADER.
 - SMALL NICKS ARE PERMITTED ON THE CIRCUIT TOWER WHICH COULD INCREASE THE INITIAL HOUSING MATING FORCE BY UP TO 4.4 NEWTONS (1.0 LBS.). NO INDIVIDUAL NICKED TOWER SHALL INCREASE THIS FORCE BY OVER 2.2 NEWTONS (.5 LBS.).
 - DIMENSIONS SHOWN REPRESENT PRODUCT IN DRY, AS MOLDED, CONDITION. ADDITIONAL 2% GROWTH DUE TO SUBSEQUENT MOISTURE ABSORPTION MAY OCCUR AND SHOULD BE ACCOUNTED FOR.
- △4 FOUR RIBS EQUALLY SPACED, NO SPECIFIC ORIENTATION. NO RIBS OR SIX RIBS EQUALLY SPACED, NO SPECIFIC ORIENTATION, OPTIONAL.
 - △5 UNDERWRITERS RECOGNIZED COMPONENT LOGO AND CSA CERTIFICATION LOGO TO BE LOCATED ONCE ON ANY SIDE OF HOUSING.
 - △6 POSITION #1 LOCATOR FEATURE MAY BE ROUND OR OBLONG (AS DEPICTED).
 - △7 OBSOLETE PARTS: OBSOLETE CIS STREAMLINING PER D.RENAUD/D. SINISI
 - △8 SHOWN FOR CONVENIENCE: AMP LOGO MAY BE ON ANY EXTERNAL SURFACE.



DETAIL A
OPTIONAL CONSTRUCTIONS



△7	OBSOLETE	BLACK	1-480698-9
		GRAY	1-480698-0
		BLUE	1-480698-6
		GREEN	1-480698-5
		YELLOW	1-480698-4
△7	OBSOLETE	ORANGE	1-480698-3
		RED	1-480698-2
		BROWN	1-480698-1
		NATURAL	1-480698-0
		COLOR	PART NUMBER

THIS DRAWING IS A CONTROLLED DOCUMENT.

DIMENSIONS:	TOLERANCES UNLESS OTHERWISE SPECIFIED:	OWN: B. WEAVER 07MAY2019	NAME: PLUG, 2 CIRCUIT, UNIVERSAL MATE-N-LOCK
mm	0 PLC ±	CHK: S. FERNANDES 07MAY2019	PRODUCT SPEC: -
	1 PLC ±0.13	APVD: T. BENCHOFF 07MAY2019	APPLICATION SPEC: -
	2 PLC ±		SIZE: A
	3 PLC ±		CAGE CODE: 00779
	4 PLC ±		DRAWING NO: 480698
	ANGLES ±		RESTRICTED TO: -
MATERIAL: NYLON	FINISH: -	WEIGHT: -	SCALE: 4:1
		CUSTOMER DRAWING	SHEET 1 OF 1

TE Connectivity

单击下面可查看定价，库存，交付和生命周期等信息

[>>TE Connectivity\(泰科\)](#)