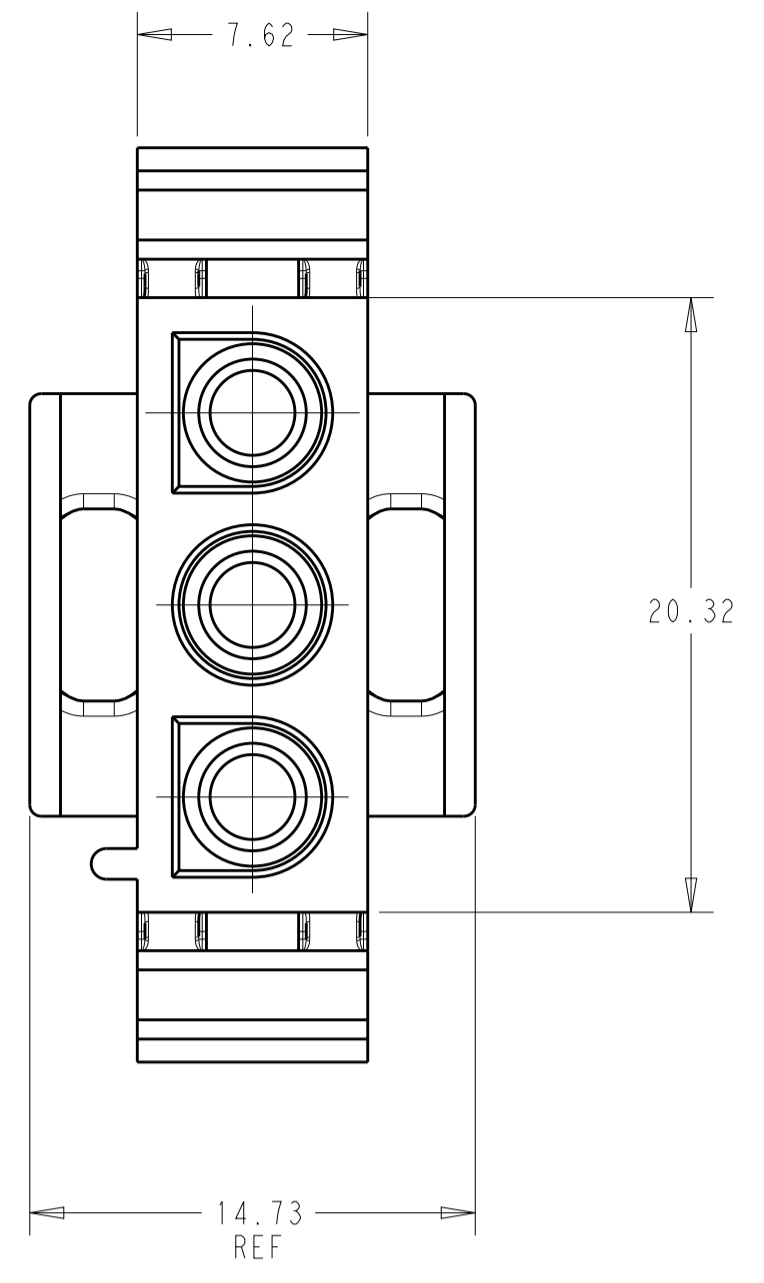
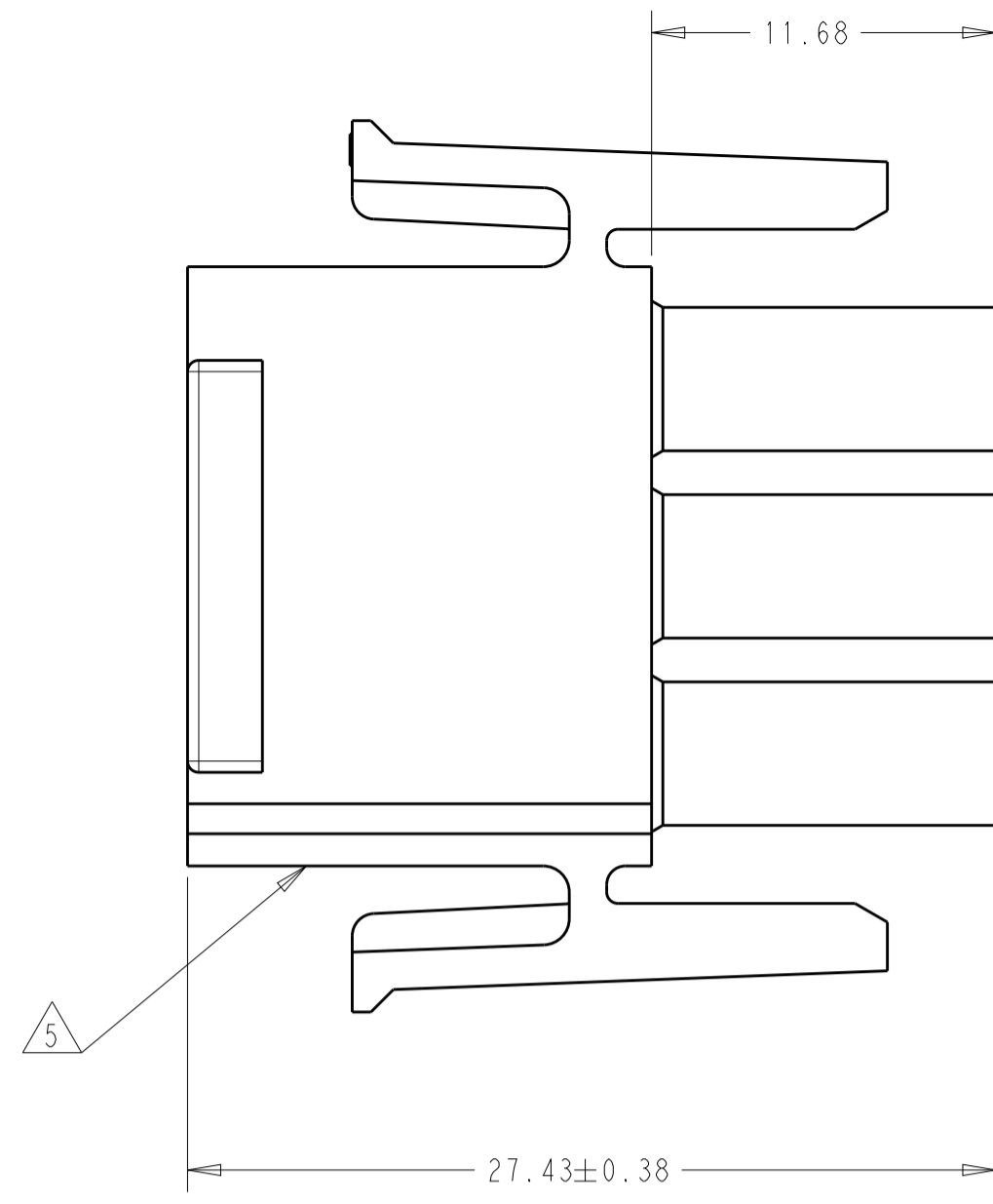
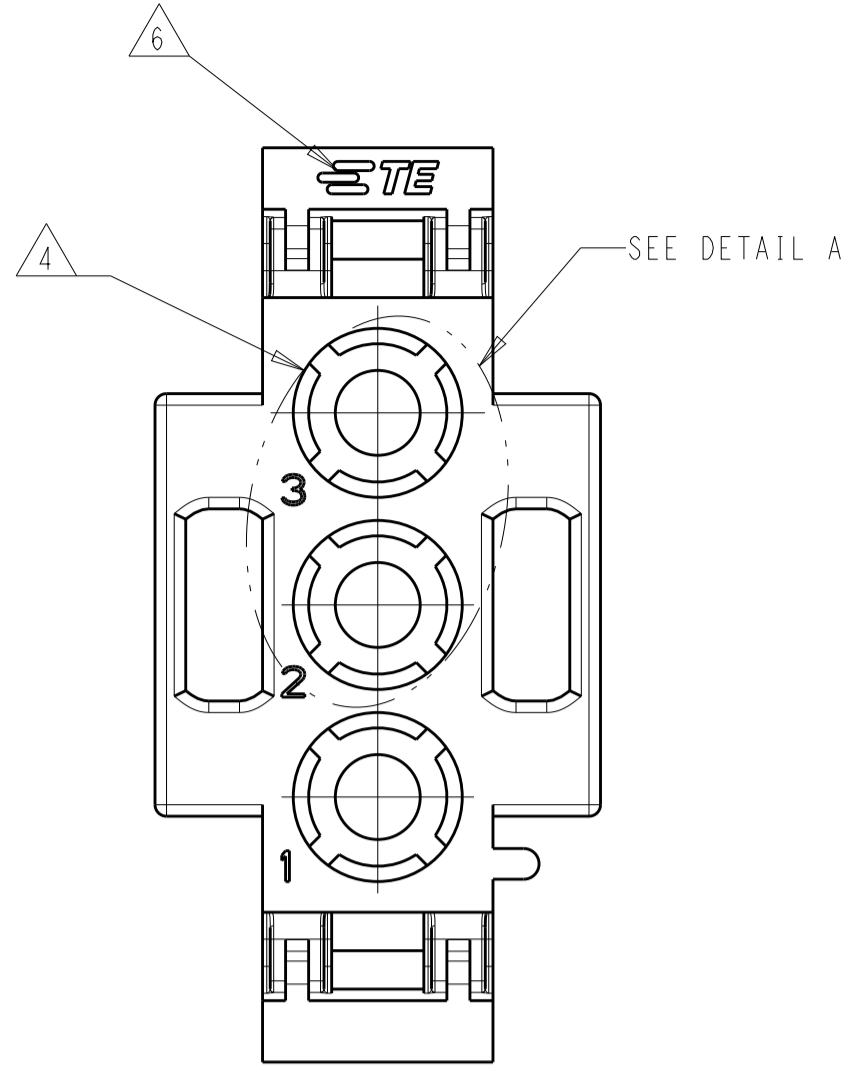
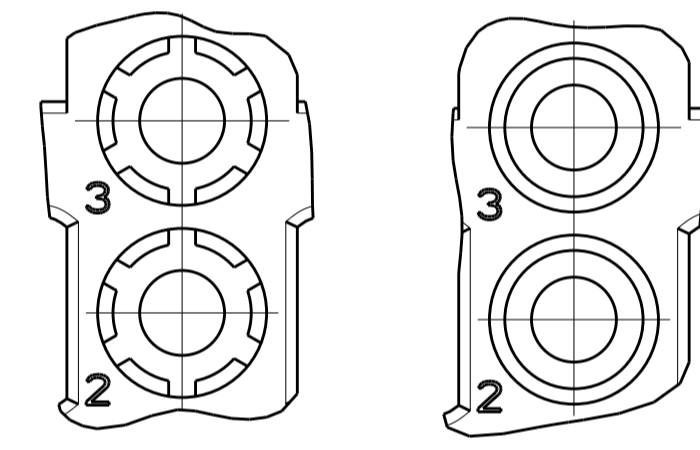
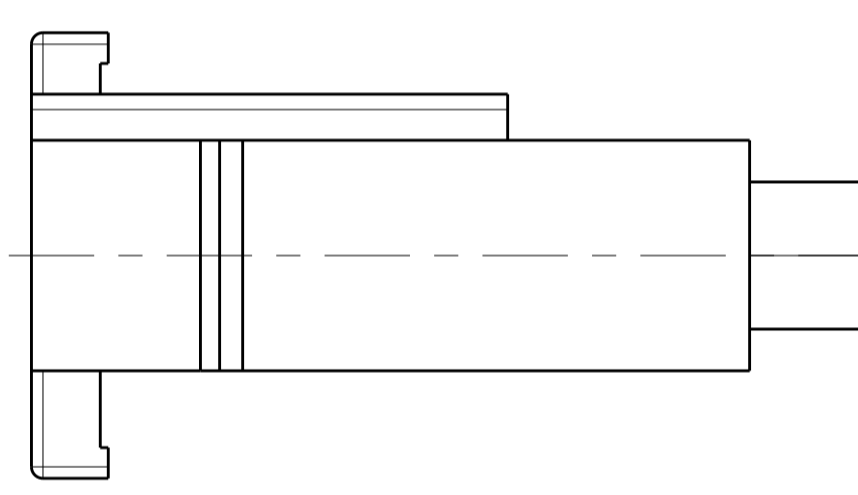


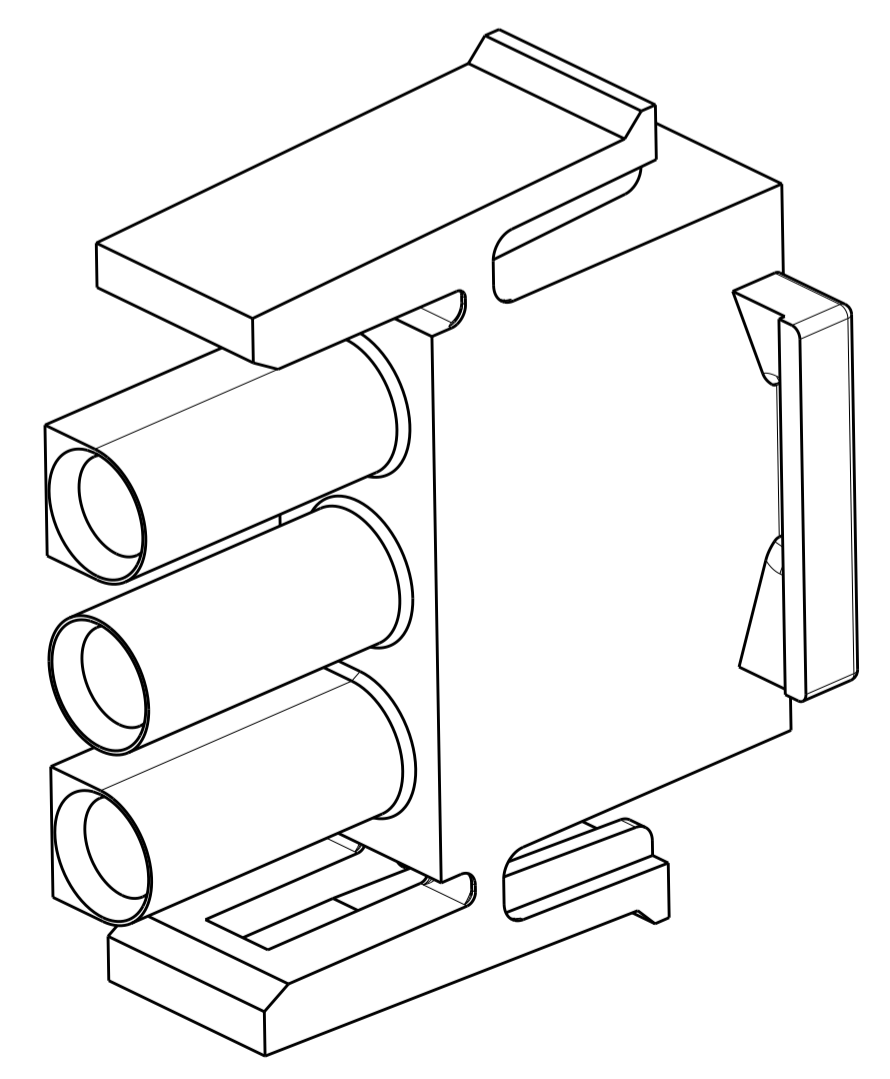
REVISIONS				
P.	LTM	DESCRIPTION	DATE	APVD
AS		REVISED PER ECR-19-011518	28AUG2019	BDA SF



- MATES WITH APPROPRIATE UNIVERSAL MATE-N-LOCK™ CAP OR HEADER.
 - SMALL NICKS ARE PERMITTED ON THE CIRCUIT TOWER WHICH COULD INCREASE THE INITIAL HOUSING MATING FORCE BY UP TO 4.4 NEWTONS (1.0 LBS.). NO INDIVIDUAL NICKED TOWER SHALL INCREASE THIS FORCE BY OVER 2.2 NEWTONS (.5 LBS).
 - DIMENSIONS SHOWN REPRESENT PRODUCT IN DRY, AS MOLDED, CONDITION. ADDITIONAL 2% GROWTH DUE TO SUBSEQUENT MOISTURE ABSORPTION MAY OCCUR AND SHOULD BE ACCOUNTED FOR.
- △ 4 FOUR RIBS EQUALLY SPACED, NO SPECIFIC ORIENTATION. NO RIBS OR SIX RIBS EQUALLY SPACED, NO SPECIFIC ORIENTATION, OPTIONAL.
 - △ 5 UNDERWRITERS RECOGNIZED COMPONENT LOGO AND CSA CERTIFICATION LOGO TO BE LOCATED ONCE ON ANY SIDE OF HOUSING.
 - △ 6 SHOWN FOR CONVENIENCE: AMP OR TE LOGO MAY BE ON ANY EXTERNAL SURFACE.



DETAIL A
OPTIONAL CONSTRUCTIONS

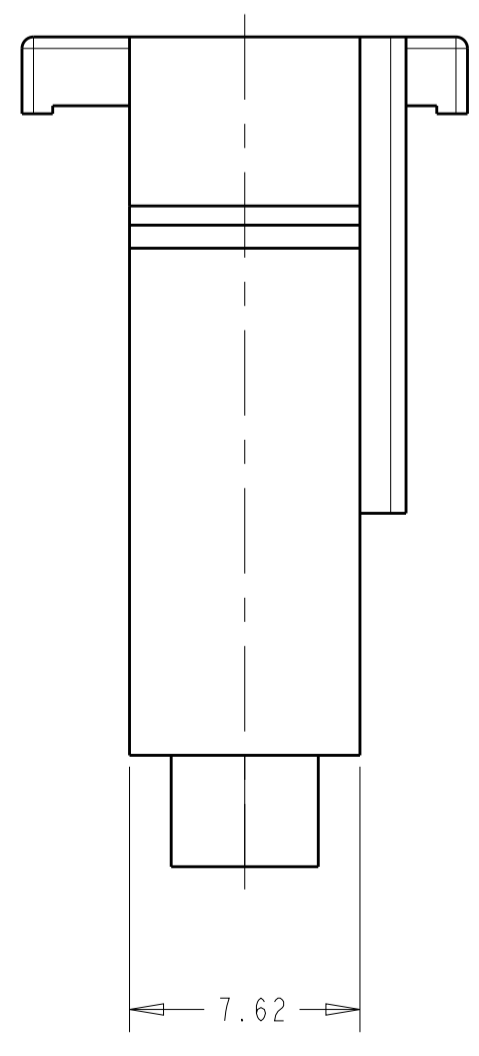
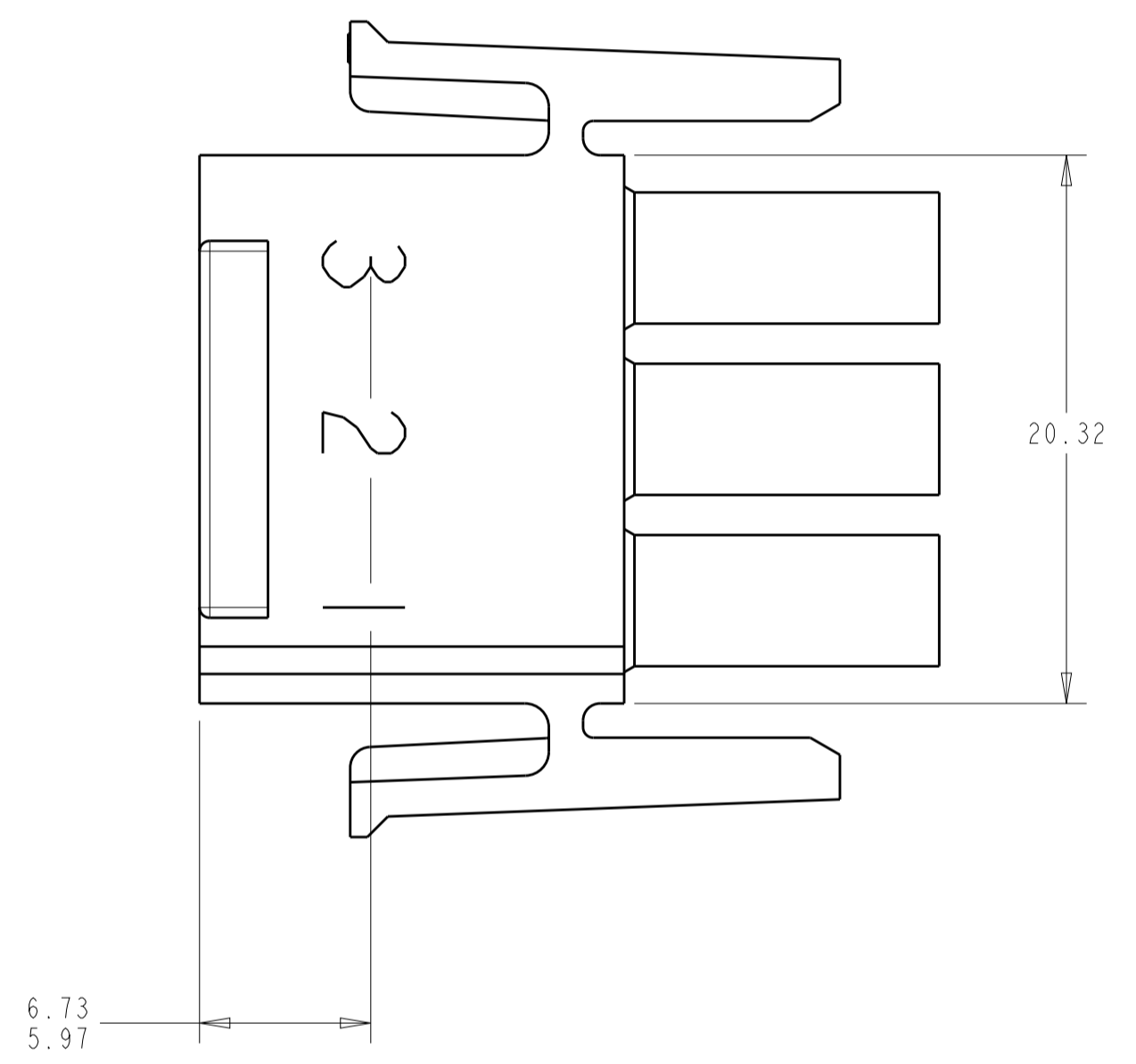
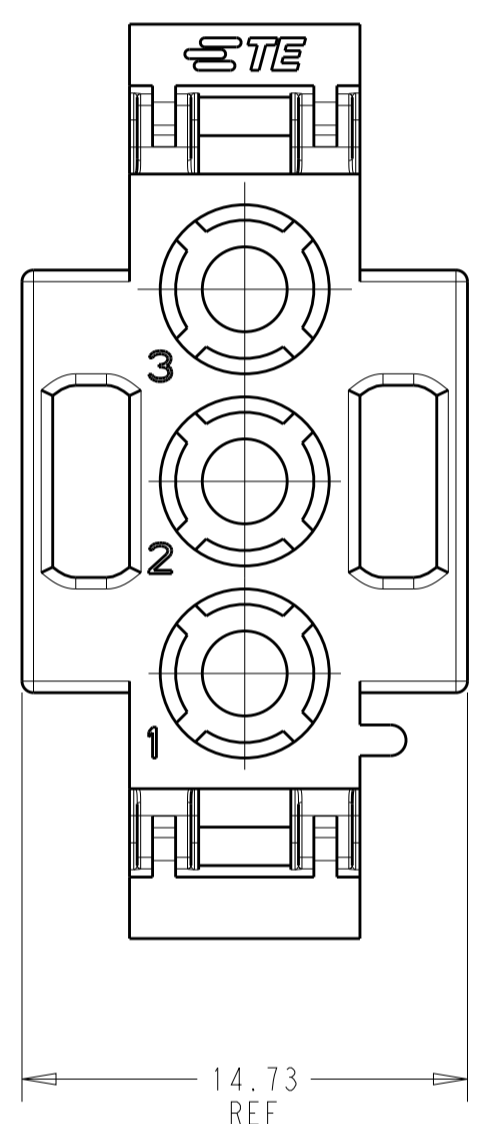
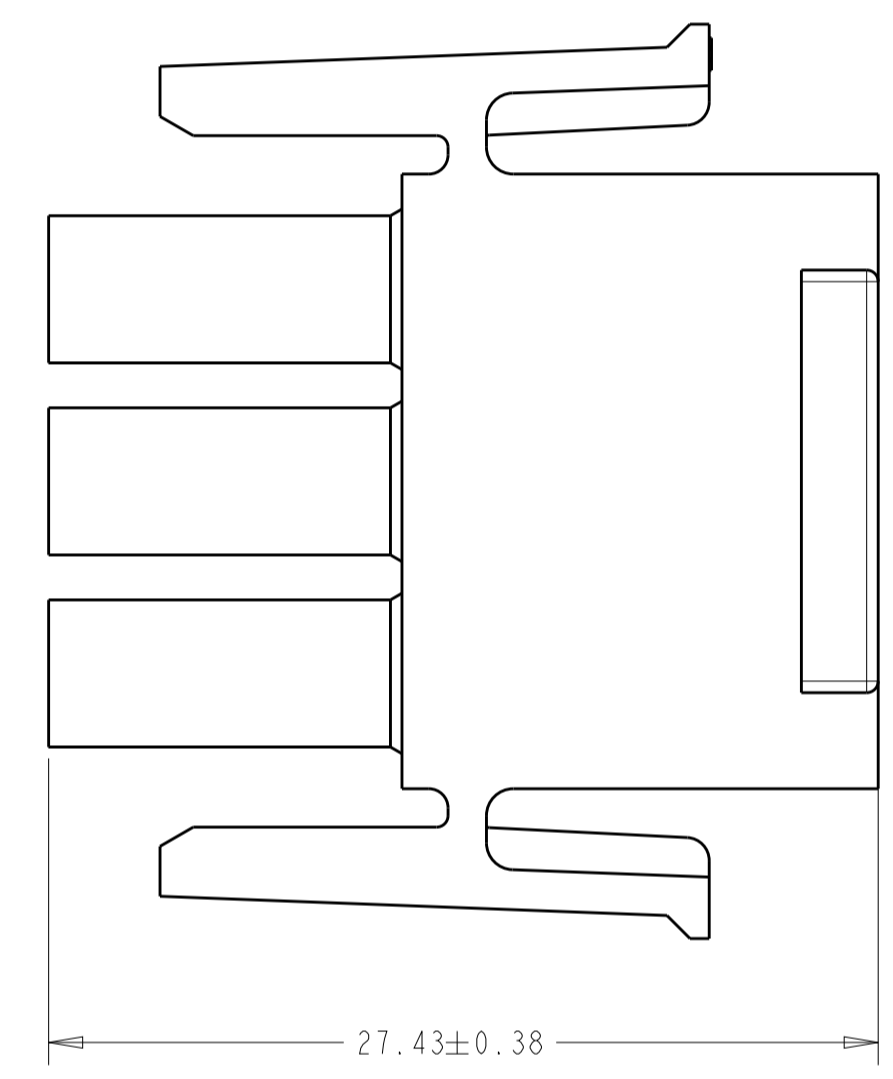
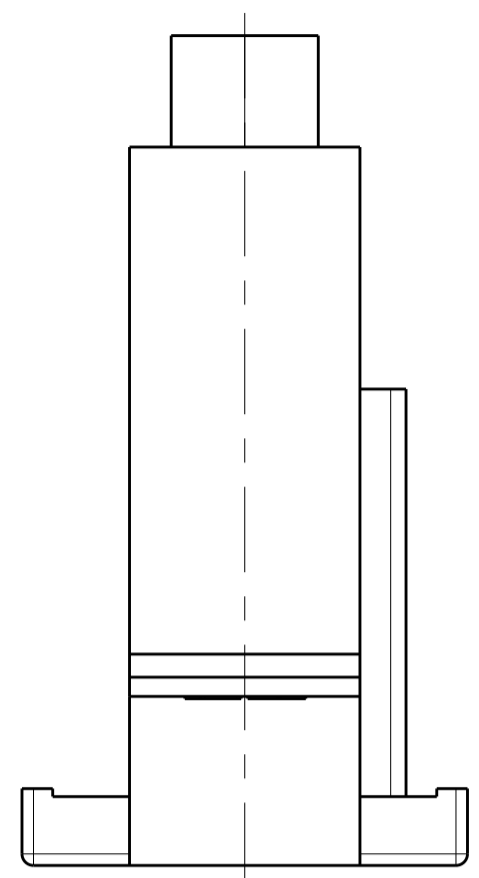


BLACK	1-480700-9
GRAY	1-480700-8
BLUE	1-480700-6
GREEN	1-480700-5
YELLOW	1-480700-4
ORANGE	1-480700-3
RED	1-480700-2
BROWN	1-480700-1
NATURAL	1-480700-0
COLOR	PART NUMBER

THIS DRAWING IS A CONTROLLED DOCUMENT.		OWN: B. WEAVER 08MAY2019	TE Connectivity
DIMENSIONS: mm		CHK: S. FERNANDES 08MAY2019	
TOLERANCES UNLESS OTHERWISE SPECIFIED: 0 PLC ± 1 PLC ± 2 PLC ±0.13 3 PLC ± 4 PLC ± ANGLES ±40°/30°		APVD: T. BENCHOFF 08MAY2019	
MATERIAL: NYLON UL 94V-2		FINISH: -	NAME: PLUG, 3 CIRCUIT, UNIVERSAL MATE-N-LOCK PRODUCT SPEC: - APPLICATION SPEC: - SIZE: A 00779 C=480700 WEIGHT: - CUSTOMER DRAWING
RESTRICTED TO: - SCALE: 4:1 SHEET 1 OF 2 REV: AS			

REVISIONS				
P.	LTN	DESCRIPTION	DATE	APVD
-	-	SEE SHEET 1	-	-

1. STAMP NUMBERS 3.18 HIGH AT WIRE END OF HOUSING (12 POINT DAVID TYPE).
2. CHARACTERS TO BE STAMPED ON HOUSING IN A MANNER AS TO BE READ FROM WIRE END ONLY.
3. VIOLET, BLACK, BROWN, AND BLUE COLORED BLOCKS TO BE STAMPED WITH WHITE CHARACTERS. ALL OTHER COLORED BLOCKS TO BE STAMPED WITH BLACK CHARACTERS.



NATURAL	2-480700-0
COLOR	PART NUMBER

THIS DRAWING IS A CONTROLLED DOCUMENT.		DWN: B. WEAVER 08MAY2019 CHK: S. FERNANDES 08MAY2019 APVD: T. BENCHOFF 08MAY2019	STE TE Connectivity	
DIMENSIONS: mm 	TOLERANCES UNLESS OTHERWISE SPECIFIED: 0 PLC ± 1 PLC ± 2 PLC ±0.13 3 PLC ± 4 PLC ± ANGLES ±40°30'	PRODUCT SPEC APPLICATION SPEC WEIGHT	NAME: PLUG, 3 CIRCUIT, UNIVERSAL MATE-N-LOCK SIZE: A 00779 C=480700 CUSTOMER DRAWING	
MATERIAL: NYLON UL 94V-2		RESTRICTED TO:	SCALE: 4:1	SHEET: 2 OF 2

单击下面可查看定价，库存，交付和生命周期等信息

[>>TE Connectivity\(泰科\)](#)