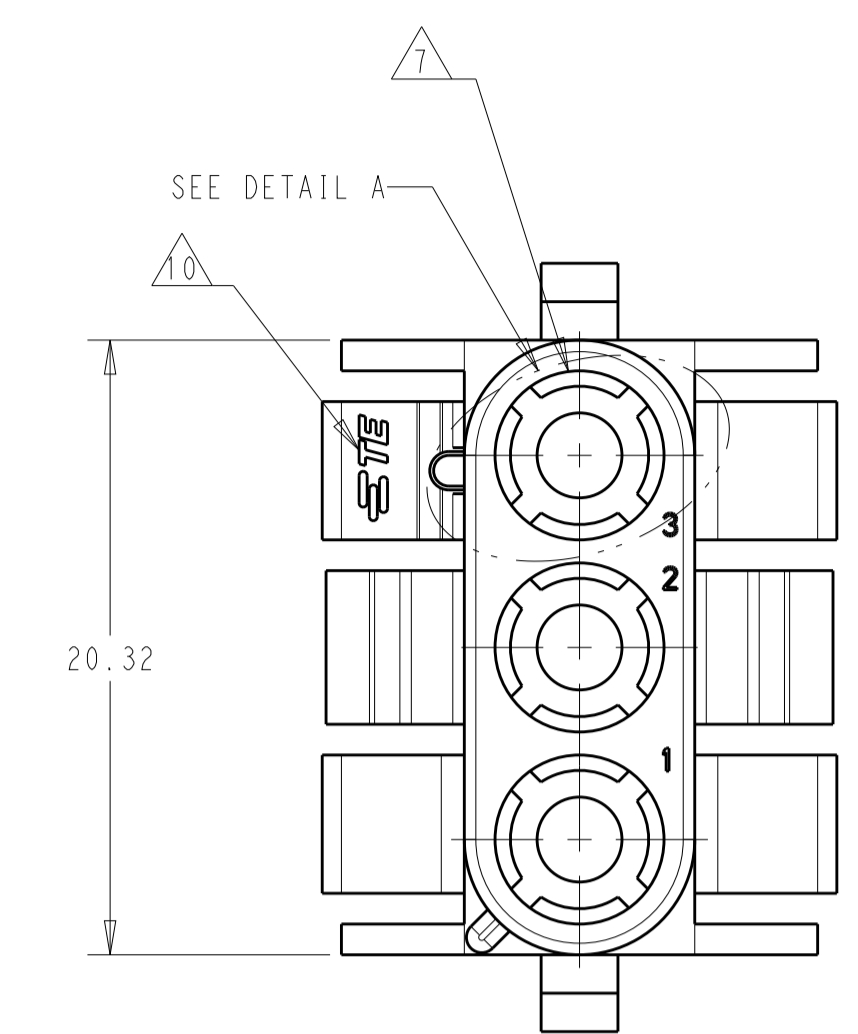
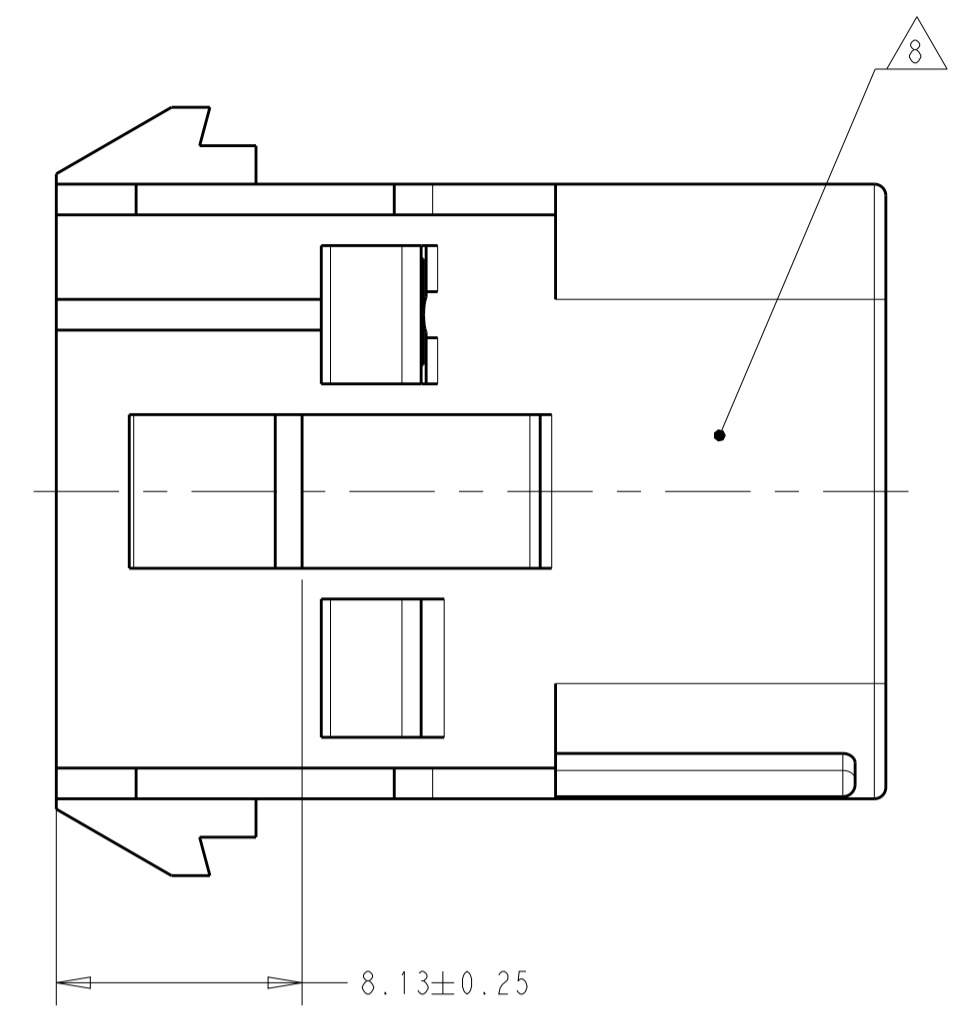
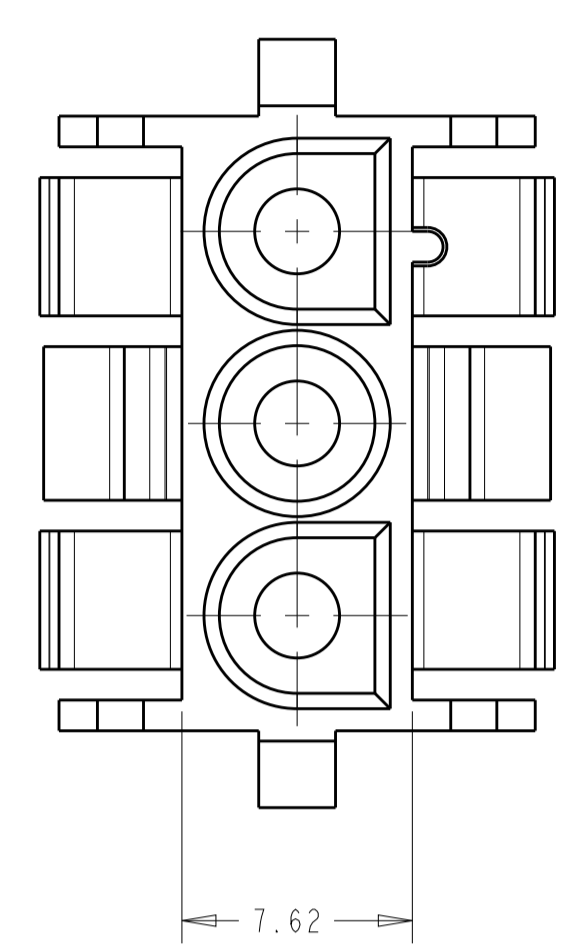
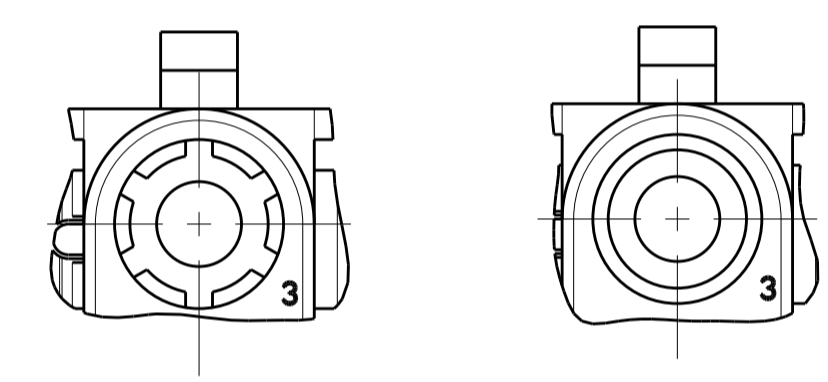


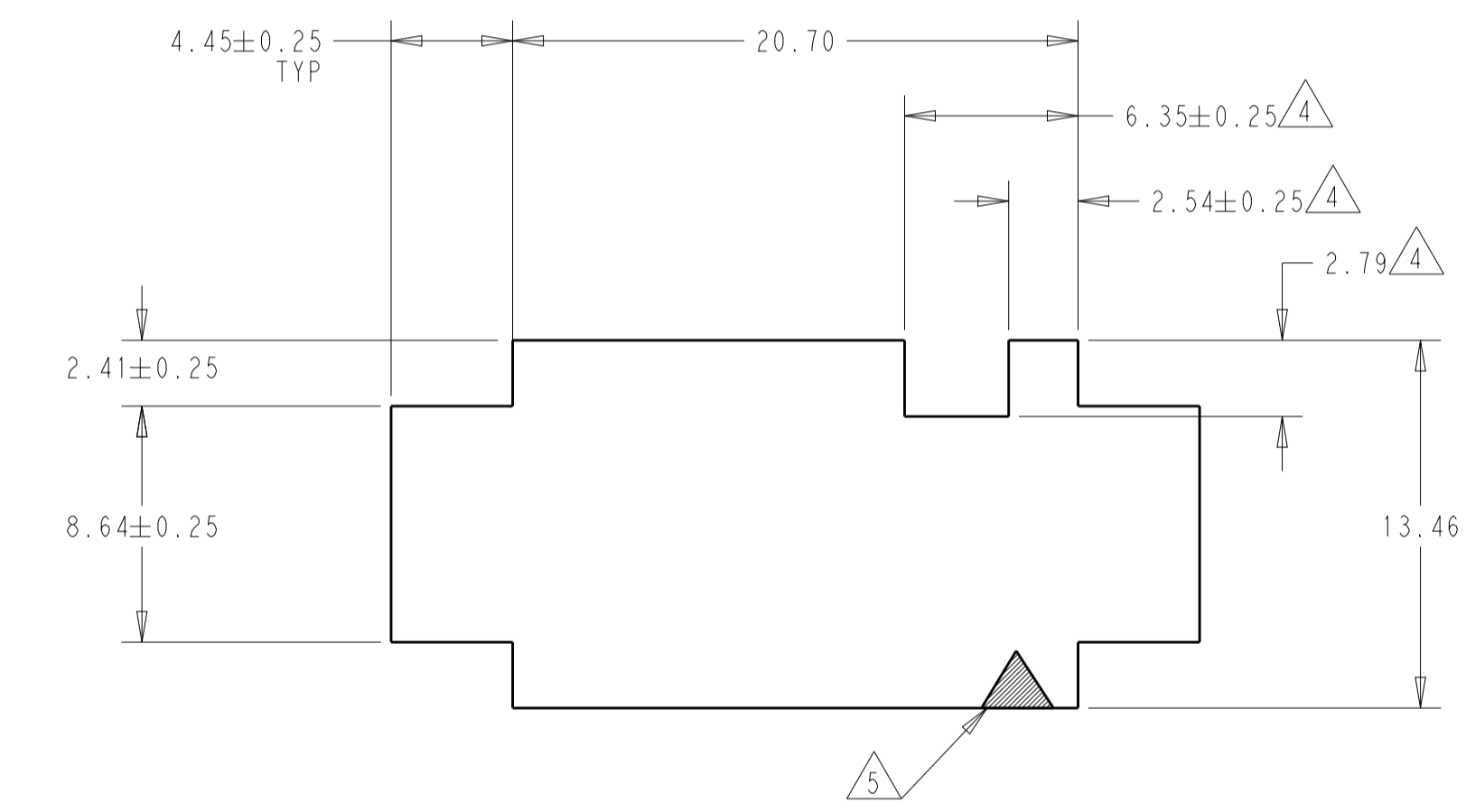
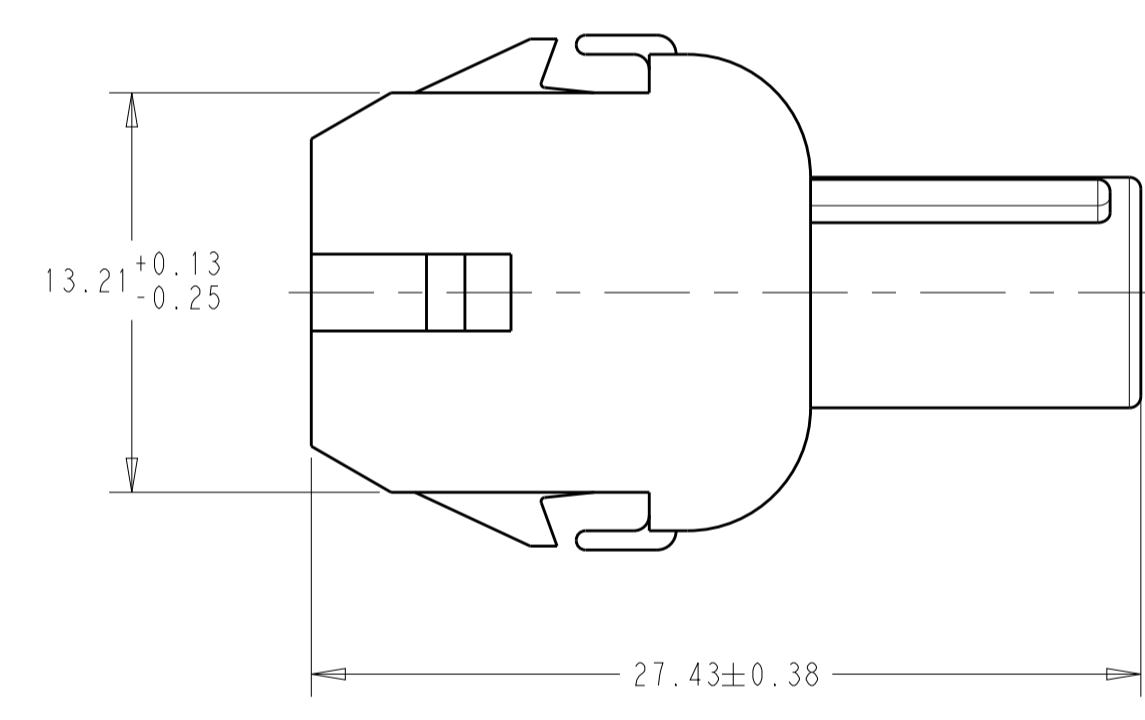
REVISIONS				
P	LTN	DESCRIPTION	DATE	APVD
AN5		REDRAWN PER ECO-19-005708	01MAY2019	BKW SF



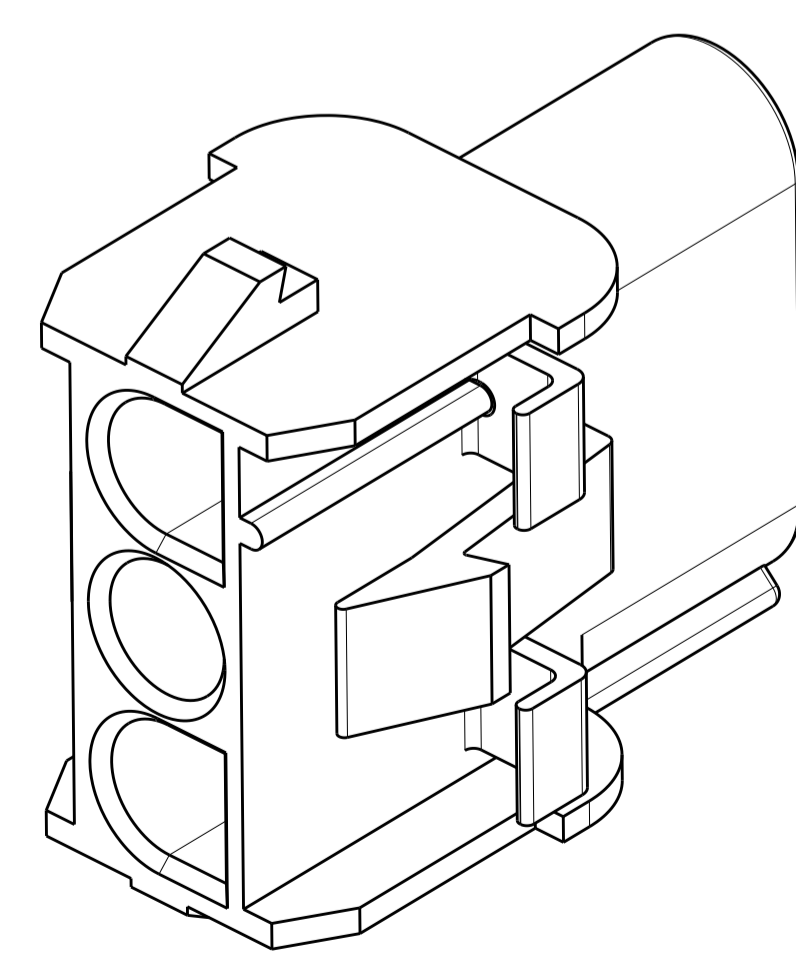
1. MATES WITH APPROPRIATE UNIVERSAL MATE-N-LOCK™ PLUG
2. RECOMMENDED PANEL THICKNESS 0.76 - 2.29.
3. PANEL MUST BE PUNCHED SO THAT THE HOUSING ENTERS THE PANEL IN THE SAME DIRECTION AS THE PUNCH.
4. OPTIONAL FOR KEYING HOUSING IN PANEL.
5. CIRCUIT NUMBER 1 LOCATION.
6. DIMENSIONS SHOWN REPRESENT PRODUCT IN DRY, AS MOLDED, CONDITION. ADDITIONAL 2% GROWTH DUE TO SUBSEQUENT MOISTURE ABSORPTION MAY OCCUR AND SHOULD BE ACCOUNTED FOR.
7. FOUR RIBS EQUALLY SPACED, NO SPECIFIC ORIENTATION. NO RIBS OR SIX RIBS EQUALLY SPACED, NO SPECIFIC ORIENTATION, OPTIONAL.
8. UNDERWRITERS RECOGNIZED COMPONENT LOGO AND CSA CERTIFICATION LOGO TO BE LOCATED ONCE EACH ON SIDE OF HOUSING.
9. OBSOLETE PARTS: OBSOLETE CIS STREAMLINING PER D.RENAUD/D.SINISI
10. TRADEMARK LOCATION: AMP OR TE



DETAIL A
OPTIONAL CONSTRUCTIONS



RECOMMENDED PANEL CUT OUT

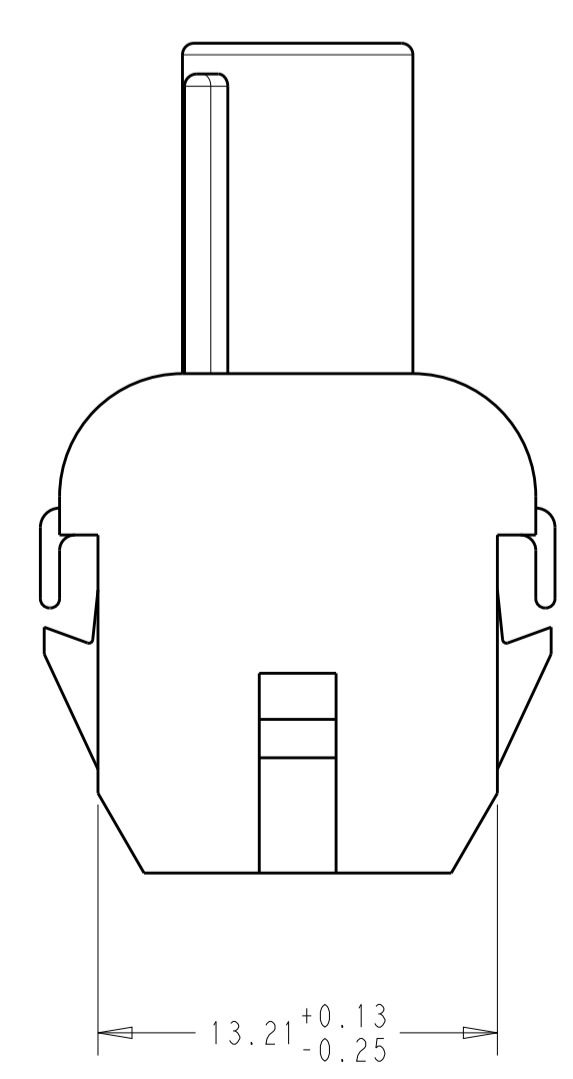
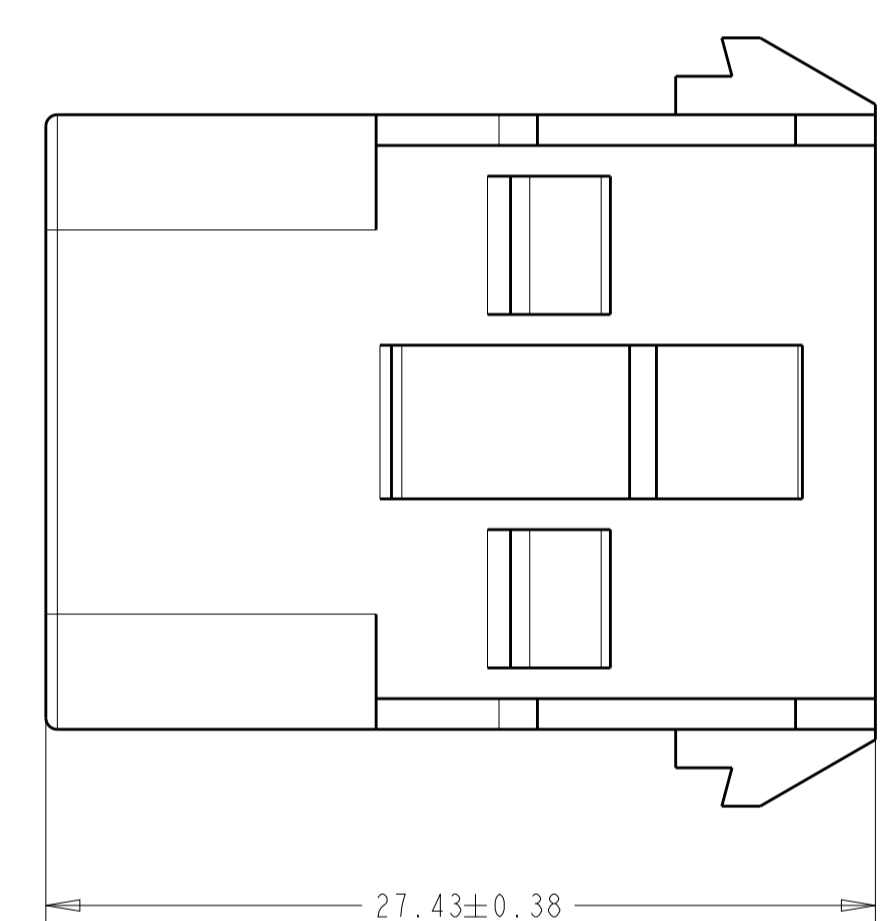
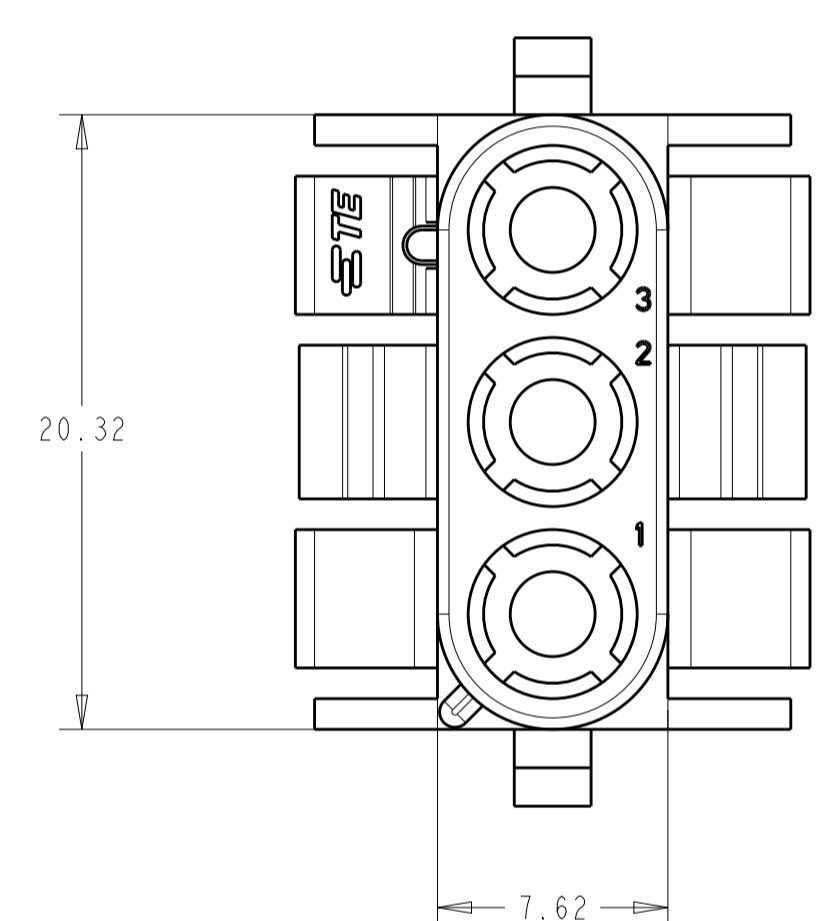
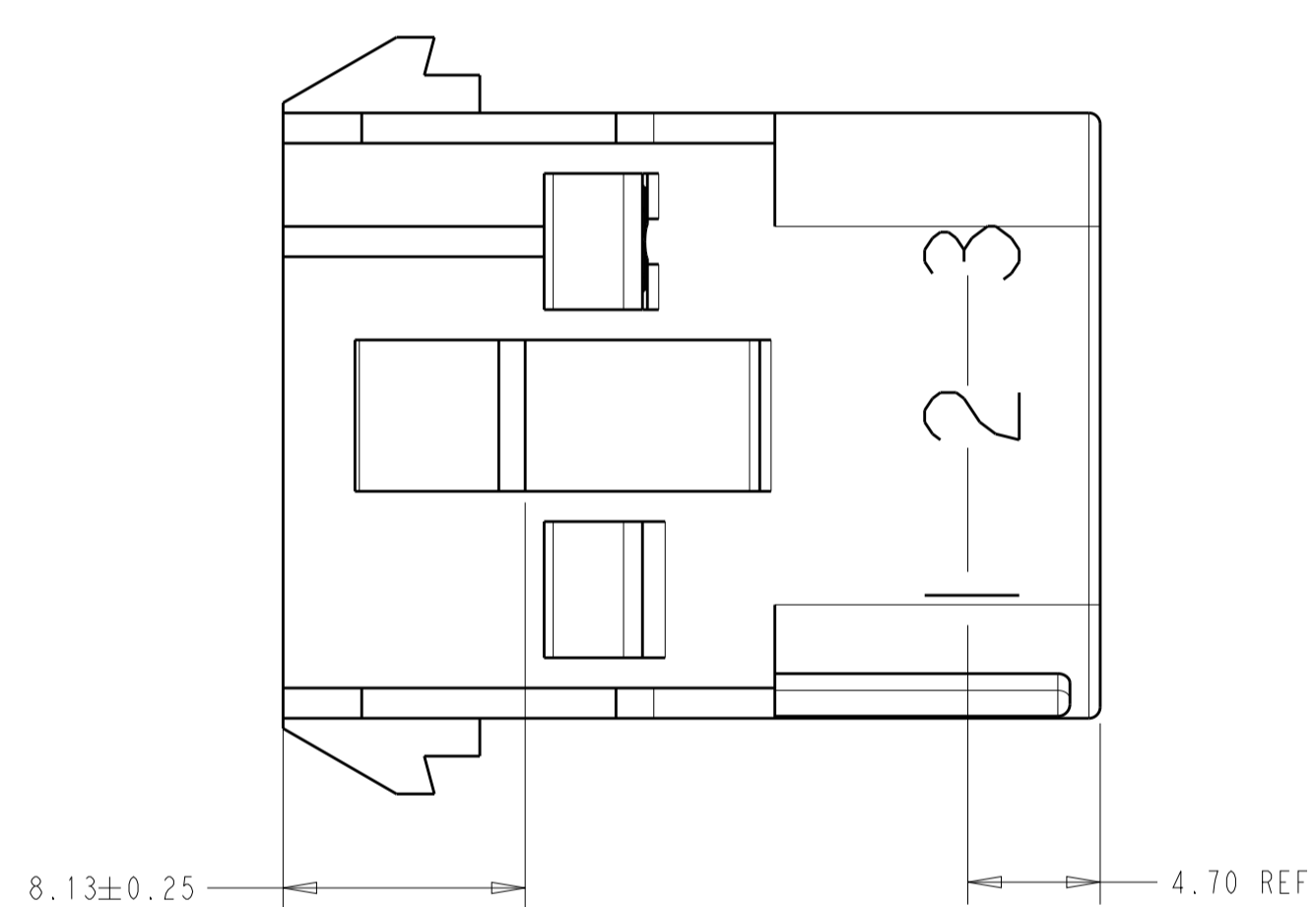
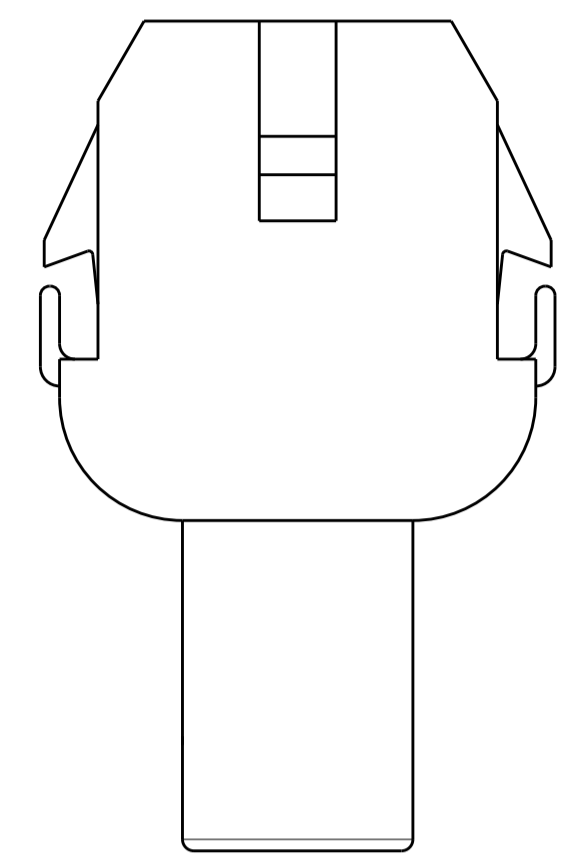


	BLACK	1-480701-9
	GRAY	1-480701-8
OBSOLETE	VIOLET	1-480701-7
	BLUE	1-480701-6
	GREEN	1-480701-5
	YELLOW	1-480701-4
OBSOLETE	ORANGE	1-480701-3
	RED	1-480701-2
	BROWN	1-480701-1
	NATURAL	1-480701-0
	COLOR	PART NUMBER

THIS DRAWING IS A CONTROLLED DOCUMENT.		OWN: B. WEAVER 01MAY2019	TE Connectivity
DIMENSIONS: mm		CHK: S. FERNANDES 01MAY2019	
TOLERANCES UNLESS OTHERWISE SPECIFIED:		APVD: T. BENCHOFF 01MAY2019	NAME: CAP, 3 CIRCUIT, UNIVERSAL MATE-N-LOCK
0 PLC ±	1 PLC ±	PRODUCT SPEC	SIZE: A
2 PLC ±	3 PLC ±	APPLICATION SPEC	CAGE CODE: 00779
4 PLC ±0.13	ANGLES ±	FINISH ±40°/30°	DRAWING NO: 480701
MATERIAL: NYLON UL94V-2	FINISH: -	WEIGHT: -	RESTRICTED TO: -
CUSTOMER DRAWING		SCALE: 4:1	SHEET 1 OF 2
		REV: AN5	

REVISIONS				
P.	LTN	DESCRIPTION	DATE	APVD
-	-	SEE SHEET 1	-	-

1. STAMP NUMBERS 3.18 HIGH AT WIRE END OF HOUSING (12 POINT DAVID TYPE).
2. CHARACTERS TO BE STAMPED ON HOUSING IN A MANNER AS TO BE READ FROM WIRE END ONLY.
3. VIOLET, BLACK, BROWN, AND BLUE COLORED BLOCKS TO BE STAMPED WITH WHITE CHARACTERS. ALL OTHER COLORED BLOCKS TO BE STAMPED WITH BLACK CHARACTERS.



NATURAL	2-480701-0
COLOR	PART NUMBER

THIS DRAWING IS A CONTROLLED DOCUMENT.		DWN B. WEAVER 01MAY2019	 TE Connectivity	NAME CAP, 3 CIRCUIT, UNIVERSAL MATE-N-LOK
DIMENSIONS: mm		CHK S. FERNANDES 01MAY2019		
TOLERANCES UNLESS OTHERWISE SPECIFIED:		APVD T. BENCHOFF 01MAY2019	PRODUCT SPEC	RESTRICTED TO
0 PLC ± 1 PLC ± 2 PLC ± 3 PLC ±0.13 4 PLC ± ANGLES ±0°30'		APPLICATION SPEC	SIZE	00779
MATERIAL NYLON UL94V-2		FINISH	WEIGHT	480701
		CUSTOMER DRAWING	SCALE	4:1
			SHEET	2 OF 2
			REV	AN5

单击下面可查看定价，库存，交付和生命周期等信息

[>>TE Connectivity\(泰科\)](#)